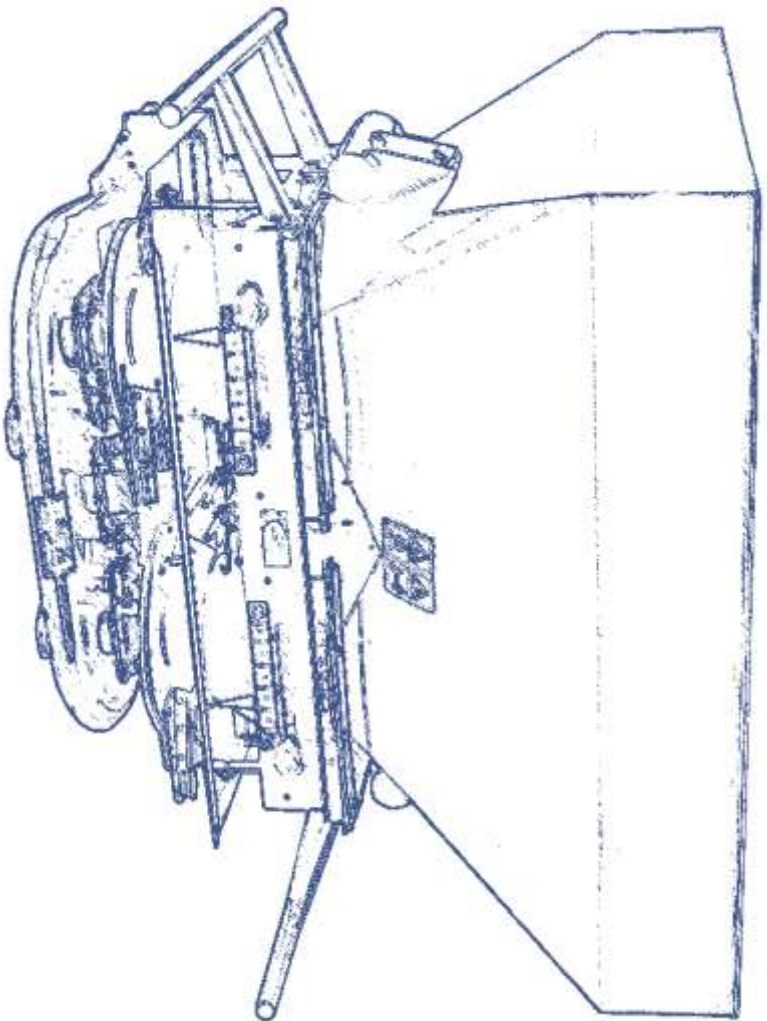


Modello  
Model

# DAVID



Modello  
Model

# DAVID FERUIT

RICAMBI  
SPARE-PARTS  
RECHANGES  
ERSATZTEILLISTE  
REPUESTOS



01/2011



**USATE SEMPRE RICAMBI ORIGINALI  
ALWAYS USE ORIGINAL SPARE PARTS  
IMMER DIE ORIGINAL-ERSATZTEILE VERWENDEN  
EMPLOYEZ TOUJOURS LES PIÈCES DE RECHANGE ORIGINALES  
UTILIZAR SIEMPRE REPUESTOS ORIGINALES**

# O.M.B.

## ITALIANO

## ENGLISH

## DEUTSCH

## FRANÇAIS

## ESPAÑOL

### **PARTI DI RICAMBIO**

Gli ordini delle parti di ricambio vanno fatti presso i nostri concessionari di zona e devono essere sempre corredati dalle seguenti indicazioni:

- **Tipo, modello e numero di matricola dell'attrezzatura.** Tali dati sono stampigliati nell'apposita targhetta di cui è dotata ogni attrezzatura.
- **Numero di codice della parte richiesta** rilevabile dal catalogo ricambi
- **Descrizione del particolare e quantità richiesta.**

**NOTA: Il termine (Dx) Destro o (Sx) Sinistro** della macchina o di parti di essa, è inteso secondo il senso di marcia.

### **SPARE PARTS**

Orders must be transmitted through our area dealers and should always include the following indications:

- **Type, model and serial number of the machine.** These data are punched on the data plate which every implement is equipped with.
- **Code number of the required spare part.** This will be found in the spare parts catalogue.
- **Description of the part and required quantity.**

**Note:** The symbols **(Dx) right** and **(Sx) left**, concerning the machine or single parts of it, are referred, as in the figure, to a rear view of them according to the direction of travel.

### **ERSATZTEILE**

Die Bestellungen müssen bei unseren Gebietshändler aufgegeben werden. Bei der Bestellung sind stets die folgenden Angaben zu machen:

- **Typ, Modell und Serien-Nummer des Geräts.** Diese Daten stehen auf dem Typenschild, mit dem jedes Gerät versehen ist.
- **Artikel Nr. der erforderlichen Ersatzteile.** Diese stehen im Ersatzteil-Katalog.
- **Beschreibung des Ersatzteils und die erforderliche Stückzahl.**

**N.B.:** Die Merkzeichen **(Dx) rechts** und **(Sx) links** betreffen eine rückwärtige Aussicht der Maschine oder Teile von ihr (siehe Bild).

### **PIÈCES DÉTACHÉES**

Les ordres doivent être effectués auprès de nos concessionaires de zone en précisant les indications suivantes:

- **Type, modèle et numéro de série de la machine.** Ces données sont gravées sur la plaque d'identification de chaque outil.
- **Numéro de code de la pièce détachée** indiqué sur le catalogue des pièces détachées.
- **Description de la pièce et quantité requise.**

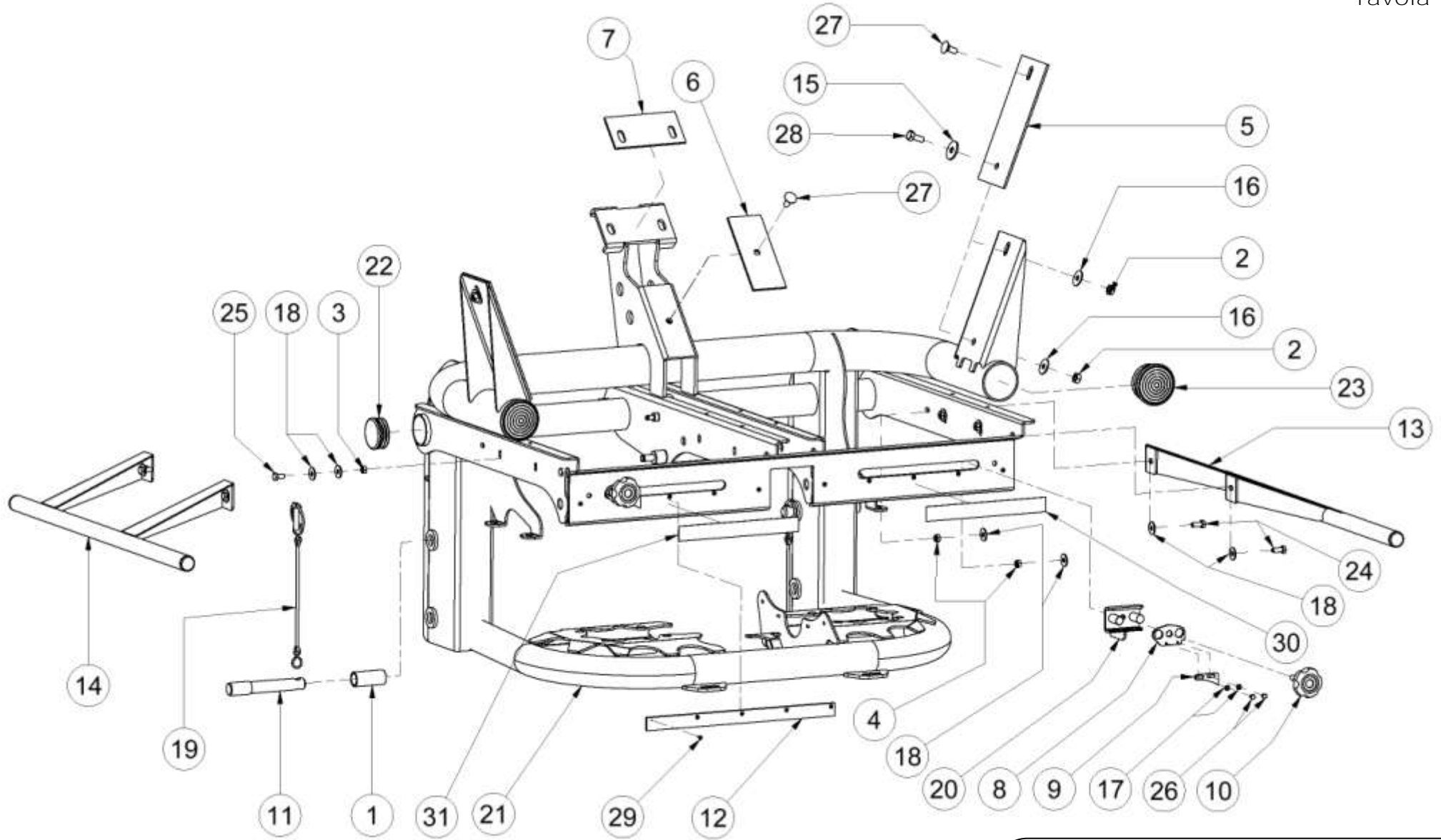
**N.B.:** Les références **(Dx) droit** et **(Sx) gauche** de la machine ou des parties de la même, est entendue, comme de la figure, en regardant la machine de derrière dans le sens de marche.

### **REPUESTOS**

Los pedidos han de efectuarse en nuestros concesionarios de zona y deben incluir siempre las siguientes indicaciones:

- **Tipo, modelo y número de matrícula del equipo.** Dichos datos están impresos en la relativa placa presente en el equipo.
- **Número de código de la parte requerida** presente en el catálogo repuestos.
- **Descripción de la pieza y cantidad requerida.**

**N.B.:** La referencia **(Dx) derecha** o **(Sx) izquierda** de la máquina o de sus componentes, se entiende, como en la figura, mirando la máquina por la parte trasera, según la dirección del recorrido.



Modello  
Model

EUROSPAND

DAVID

## Elenco ricambi - Spare parts list

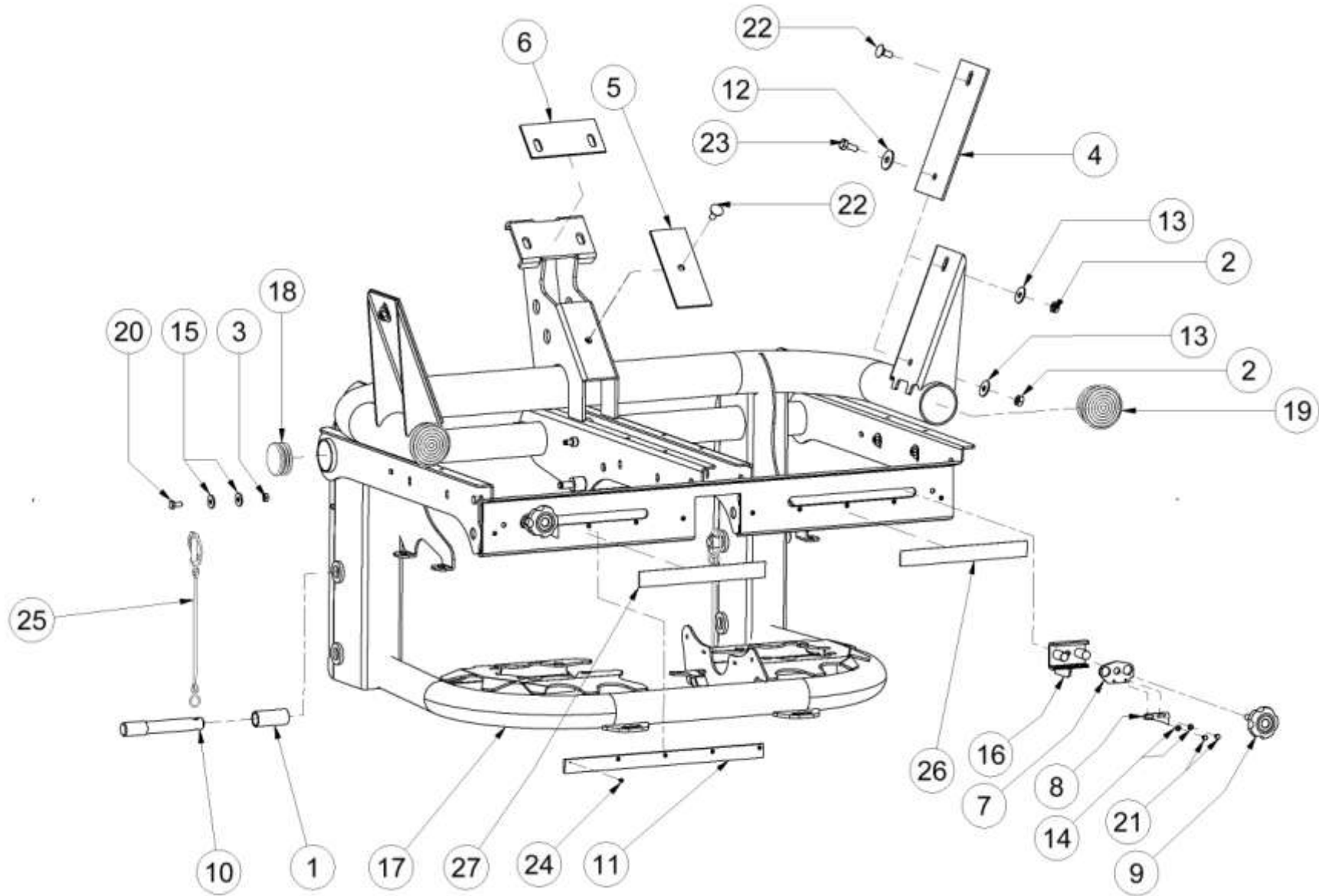
Elemento	Codice	Descrizione	Description	Qtà
1	B004.207	BOCCOLA 1°- 2° CAT DM22-28 SP 52	BUSHING 1ST-2ND DM22-28 SP 52	2
2	D001.005	DADO E M 10 INOX UNI 5588	ST. STEEL HEXAGON NUT M 10 UNI 5588	7
3	D001.006	DADO E M 8 INOX UNI 5588	STAINLESS STEEL HEXAGON NUT M8 UNI 5588	4
4	D001.031	DADO E M 8 STOP INOX UNI 7473	ST. STEEL HEXAGON NUT DM 8 STOP UNI 7473	4
5	G014.039	GOMMA LAT.SP 4MM TRAMOGGIA SP52 OSCIL.	SIDE RUBBER 4MM (FLEX. HOPPER SP52)	2
6	G014.040	GOMMA POST.INF.SP4 TRAMOGGIA SP52 OSCIL.	LOWER REAR RUBBER 4MM (FLEX.HOPPER SP52)	1
7	G014.041	GOMMA POST.SUP.SP 4MM TRAM.SP 52 OSCIL.	UPPER REAR RUBBER 4MM (FLEX.HOPPER SP52)	1
8	I001.016	INDICATORE APERTURA SP52/70/95/70NEW	SHUTTER OPENING POINTER SP52	2
9	I001.018	INDICATORE MOBILE APERTURA SARACINESCA	MOVABLE SHUTTER OPENING POINTER	2
10	I006.029	VOLANTINO 5 LOBI DM60 M10X45 INOX	STAINLESS STEEL KNOB DM60 M10X45	2
11	P004.196	PERNO SOLL 1°CAT D22X100 SP 52 33-2005	LIFT ARM PIN 1ST CAT. D22X100 SP 52 -05	2
12	P005.153	PIASTRA PVC 400X25X5 SP52/70/95/70NEW	PVC PLATE 410 X 25 X 5 SP52/SP70 NEW	2
13	P012.111	PROTEZIONE CE DX SP52	RIGHT PROTECTION CE SP 52	1
14	P012.114	PROTEZIONE CE SX SP52	LEFT PROTECTION CE SP 52	1
15	R005.008	RONDELLA PIANA DM 12X36X3 INOX UNI 6593	ST. STEEL FLAT WASHER DM 12X36X3 UNI 6593	2
16	R005.037	RONDELLA PIANA DM 10X30 INOX UNI6593/69	ST. STEEL FLAT WASHER DM 10X30 UNI6593/69	7
17	R005.041	RONDELLA DM 5X10 INOX UNI 6592	STAINLESS STEEL WASHER DM 5X10 UNI 6592	4
18	R005.080	RONDELLA PIANA DM 8X24 INOX UNI 6593	STAINLESS STEEL FLAT WASHER 8X24 UNI6593	16
19	S006.032	SPINA A SCATTO DM 10 CON TIRANTE GOMMA	SAFETY PIN DM 10 WITH RUBBER ROD	2
20	S008.250	STAFFA FIX APERTURA SP52/70/95 COMPL.	OPENING FIXING BRACKET (COMPLETE) SP52	2
21	T003.218	TELAIO SP 52 OSCILLANTE	FLEXIBLE FRAME SP52	1
22	T017.015	TAPPO PLAST.TUBO 2"- 60MM (ILT 60)	PLASTIC CAP 2" - 60MM(ILT 60)	2
23	T017.032	TAPPO TUBI DA 2" 1/2 DM 76MM (ILT 76)	TUBE CAP 2" 1/2 DM 76MM (ILT 76)	2
24	V003.008	VITE TE 8 X 20 INOX UNI 5739	ST. STEEL HEXAGON HEAD SCREW 8X20 UNI5739	4
25	V003.014	VITE TE 8 X 16 INOX UNI 5739 DIN933	ST. STEEL HEXAGON HEAD SCREW 8X16 UNI5739	4
26	V003.081	VITE TE 5 X 6 INOX UNI 5739	ST. STEEL HEXAGON HEAD SCREW 5X6 UNI 5739	4
27	V003.171	VITE TB 10 X 25 INOX DIN 603	ST. STEEL CUP SQUARE SCREW 10X25 DIN 603	3
28	V003.173	VITE TE 10 X 25 INOX UNI 5739 DIN 933	ST. STEEL HEXAGON HEAD SCREW 10X25 UNI5739	2
29	V003.324	VITE A2 TS 3,9X9,5 UNI 6955 AB	STAIN.ST. SCREW A2 TS 3,9X9,5 UNI6955 AB	10
30	A001.360	ADESIVO -0-5- DX LEXAN SP 52	SCALE DX SP52	1
31	A001.361	ADESIVO -0-5- SX LEXAN SP 52	SCALE SX SP 52	1



Modello  
Model

**EUROSPAND**

**DAVID**



**EUROSPAND**  
Modello  
Model **DAVID FRUIT**

## Elenco ricambi - Spare parts list

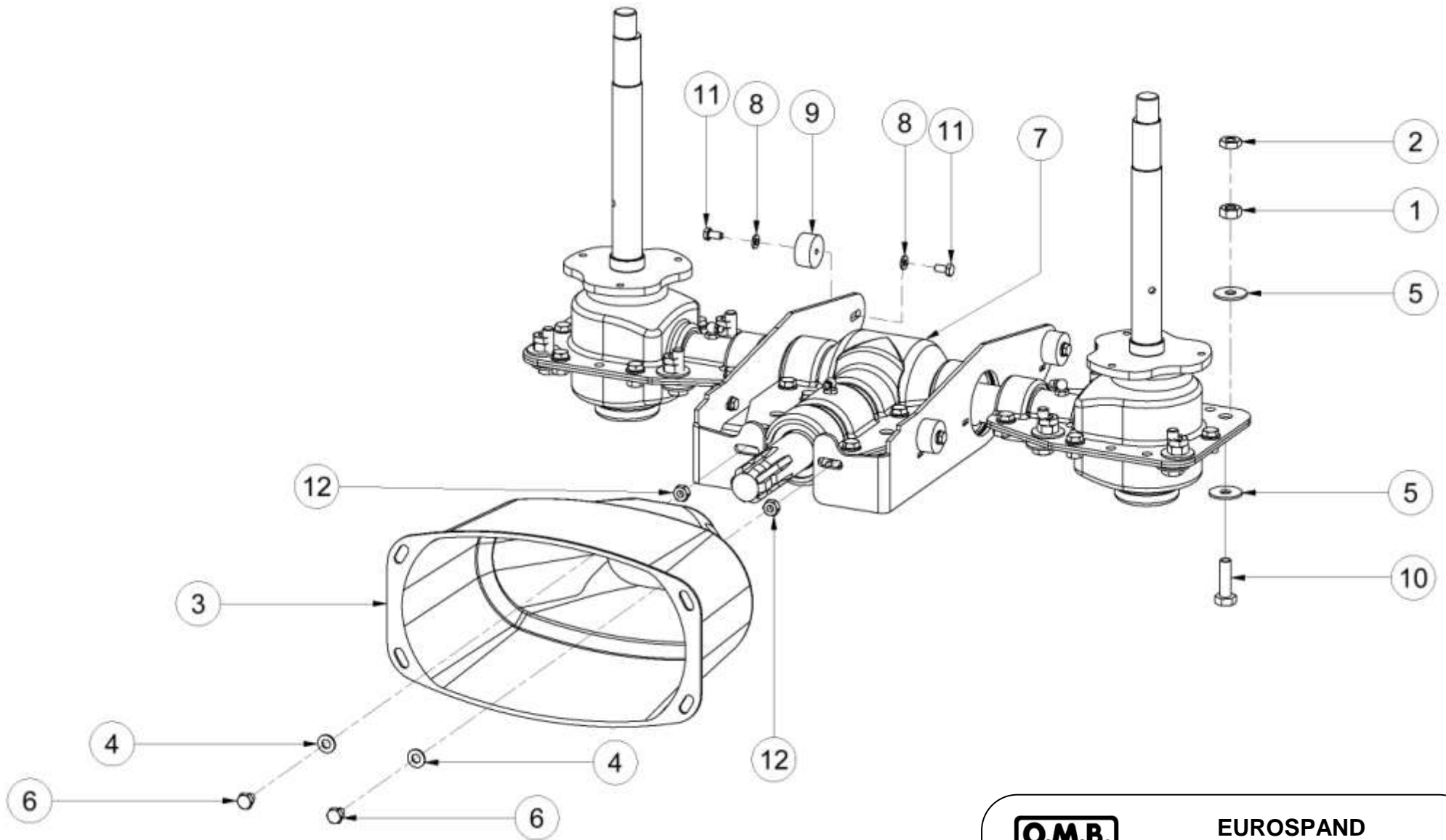
Elemento	Codice	Descrizione	Description	Qtà
1	B004.207	BOCCOLA 1°- 2° CAT DM22-28 SP 52	BUSHING 1ST-2ND DM22-28 SP 52	2
2	D001.005	DADO E M 10 INOX UNI 5588	ST. STEEL HEXAGON NUT M 10 UNI 5588	5
3	D001.006	DADO E M 8 INOX UNI 5588	STAINLESS STEEL HEXAGON NUT M8 UNI 5588	4
4	G014.039	GOMMA LAT.SP 4MM TRAMOGGIA SP52 OSCIL.	SIDE RUBBER 4MM (FLEX HOPPER SP52)	2
5	G014.040	GOMMA POST.INF.SP4 TRAMOGGIA SP52 OSCIL.	LOWER REAR RUBBER 4MM (FLEX.HOPPER SP52)	1
6	G014.041	GOMMA POST.SUP.SP 4MM TRAM.SP 52 OSCIL.	UPPER REAR RUBBER 4MM (FLEX.HOPPER SP52)	1
7	I001.016	INDICATORE APERTURA SP52/70/95/70NEW	SHUTTER OPENING POINTER SP52	2
8	I001.018	INDICATORE MOBILE APERTURA SARACINESCA	MOVABLE SHUTTER OPENING POINTER	2
9	I006.029	VOLANTINO 5 LOBI DM60 M10X45 INOX	STAINLESS STEEL KNOB DM60 M10X45	2
10	P004.196	PERNO SOLL 1°CAT D22X100 SP 52 33-2005	LIFT ARM PIN 1ST CAT. D22X100 SP 52 -05	2
11	P005.153	PIASTRA PVC 400X25X5 SP52/70/95/70NEW	PVC PLATE 410 X 25 X 5 SP52/SP70 NEW	2
12	R005.008	RONDELLA PIANA DM 12X36X3 INOX UNI 6593	ST.STEEL FLAT WASHER DM 12X36X3 UNI 6593	2
13	R005.037	RONDELLA PIANA DM 10X30 INOX UNI6593/69	ST.STEEL FLAT WASHER DM 10X30 UNI6593/69	5
14	R005.041	RONDELLA DM 5X10 INOX UNI 6592	STAINLESS STEEL WASHER DM 5X10 UNI 6592	4
15	R005.080	RONDELLA PIANA DM 8X24 INOX UNI 6593	STAINLESS STEEL FLAT WASHER 8X24 UNI6593	8
16	S008.250	STAFFA FIX APERTURA SP52/70/95 COMPL.	OPENING FIXING BRACKET (COMPLETE) SP52	2
17	T003.218	TELAIO SP 52 OSCILLANTE	FLEXIBLE FRAME SP52	1
18	T017.015	TAPPO PLAST.TUBO 2"- 60MM (ILT 60)	PLASTIC CAP 2"- 60MM(ILT 60)	2
19	T017.032	TAPPO TUBI DA 2" 1/2 DM 76MM (ILT 76)	TUBE CAP 2" 1/2 DM 76MM (ILT 76)	2
20	V003.014	VITE TE 8 X 16 INOX UNI 5739 DIN933	ST.STEEL HEXAGON HEAD SCREW 8X16 UNI5739	4
21	V003.081	VITE TE 5 X 6 INOX UNI 5739	ST.STEEL HEXAGON HEAD SCREW 5X6 UNI 5739	4
22	V003.171	VITE TB 10 X 25 INOX DIN 603	ST.STEEL CUP SQUARE SCREW 10X25 DIN 603	3
23	V003.173	VITE TE 10 X 25 INOX UNI 5739 DIN 933	ST.STEEL HEXAGON HEAD SCREW 10X25 UNI5739	2
24	V003.324	VITE A2 TS 3,9X9,5 UNI 6955 AB	STAIN.ST. SCREW A2 TS 3,9X9,5 UNI6955 AB	10
25	S006.032	SPINA A SCATTO DM 10 CON TIRANTE GOMMA	SAFETY PIN DM 10 WITH RUBBER ROD	2
26	A001.360	ADESIVO -0-5- DX LEXAN SP 52	SCALE DX SP52	1
27	A001.361	ADESIVO -0-5- SX LEXAN SP 52	SCALE SX SP 52	1



Modello  
Model

**EUROSPAND**

**DAVID FRUIT**



**EUROSPAND**  
Modello  
Model  
**DAVID**  
**DAVID FRUIT**

## ***Elenco ricambi - Spare parts list***

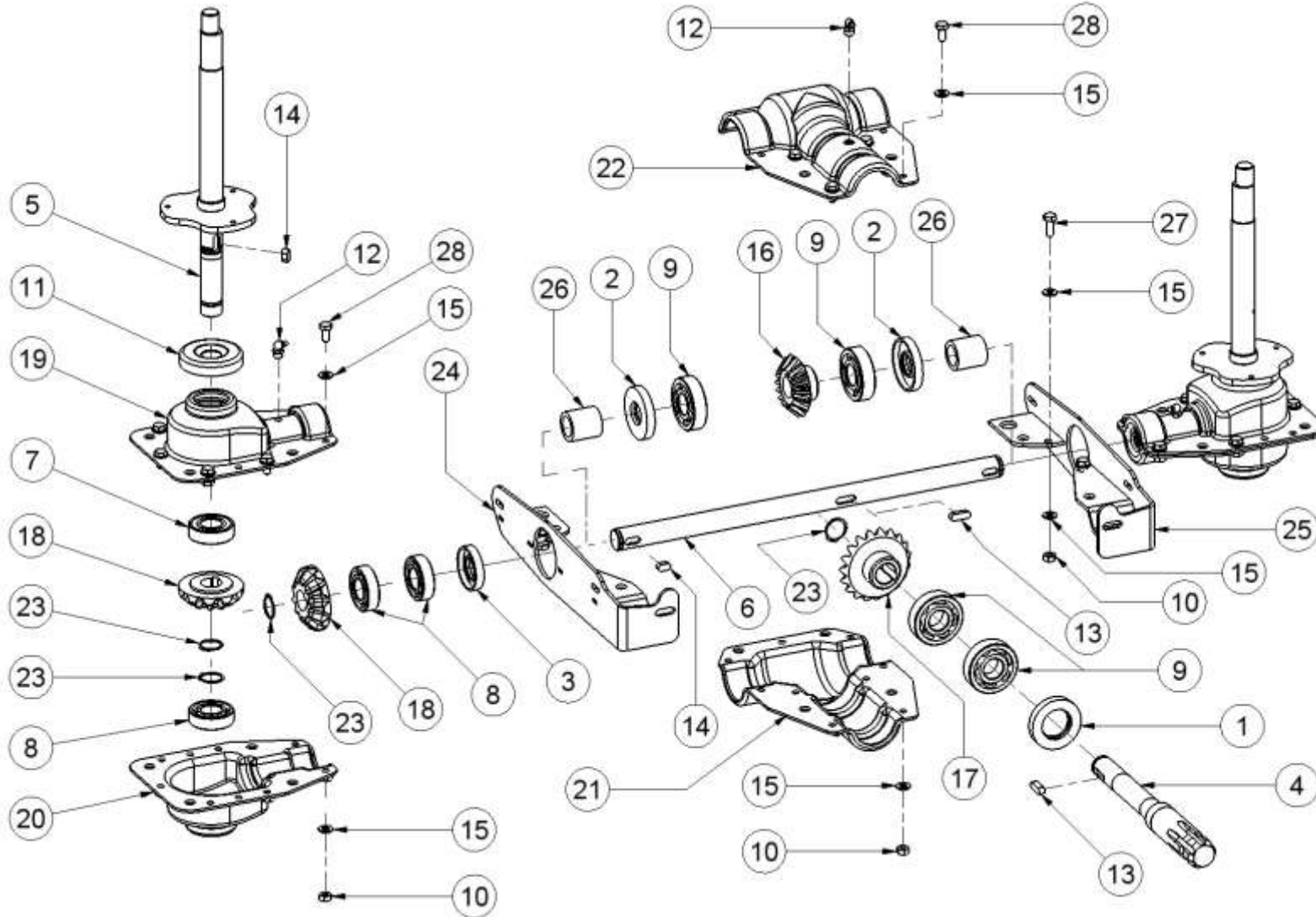
<b>Elemento</b>	<b>Codice</b>	<b>Descrizione</b>	<b>Description</b>	<b>Qtà</b>
1	D001.005	DADO E M 10 INOX UNI 5588	ST. STEEL HEXAGON NUT M 10 UNI 5588	12
2	D001.071	DADO M 10 DX INOX BASSO UNI 5590 DIN 439	ST.STEEL HEXAGON NUT DM10 UNI 5589	12
3	P012.138	PROTEZ.LATO MACCHINA ALBERO PTO	DRIVE SHAFT PROTECTION	1
4	R005.017	RONDELLA PIANA DM 8 INOX UNI6592 DIN125A	ST.STEEL FLAT WASHER DM 8 UNI 6592	2
5	R005.037	RONDELLA PIANA DM 10X30 INOX UNI6593/69	ST.STEEL FLAT WASHER DM 10X30 UNI6593/69	24
6	V003.320	VITE TE 8 X 10 INOX UNI 5739 DIN 933	ST.STEEL HEXAG.HEAD SCREW 8 X 10 UNI5739	2
7	G005.091	GRUPPO ANGOLO COMPLETO SP 52 OSCILLANTE	COMPLETE ANGLE GEARBOX SP52 FLEXIBLE	1
8	R005.027	RONDELLA PIANA DM 6 INOX UNI6592DIN125A	ST.STEEL FLAT WASHER DM 6 UNI6592 DIN125	8
9	G014.037	GOMM.ANTIVIBRANTE 30X15 M6X15 FF(BD)40SH	RUBBER MOUNTING 30X15 M6X15 FF(BD)40SH	4
10	V003.268	VITE TE 10 X 35 INOX UNI 5739	ST.STEEL HEX.HEAD SCREW 10 X 35 UNI 5737	12
11	V003.328	VITE TE 6 X 12 INOX UNI 5739 DIN 933	ST.STEEL HEXAGON HEAD SCREW 6X12 UNI5739	8
12	D001.006	DADO E M 8 INOX UNI 5588	STAINLESS STEEL HEXAGON NUT M8 UNI 5588	2



Modello  
Model

**EUROSPAND**

**DAVID  
DAVID FRUIT**



G005.091



**EUROSPAND**  
Modello  
Model **DAVID**  
**DAVID FRUIT**

## ***Elenco ricambi - Spare parts list***

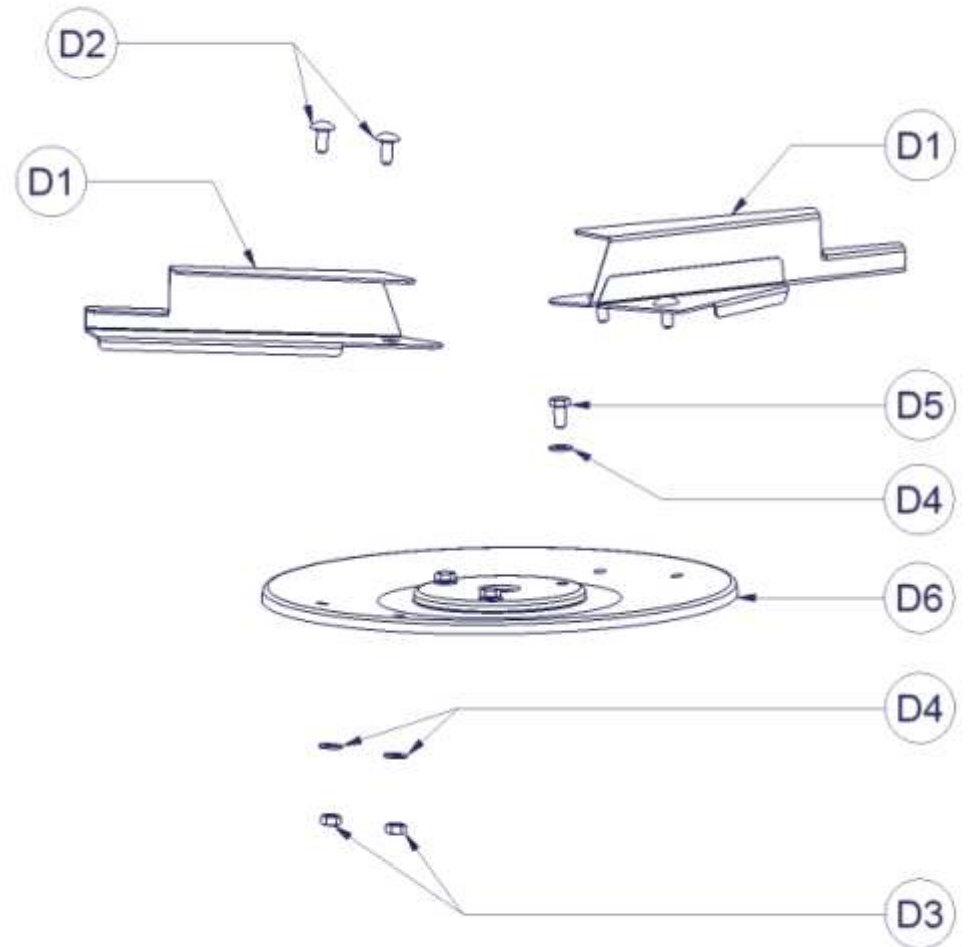
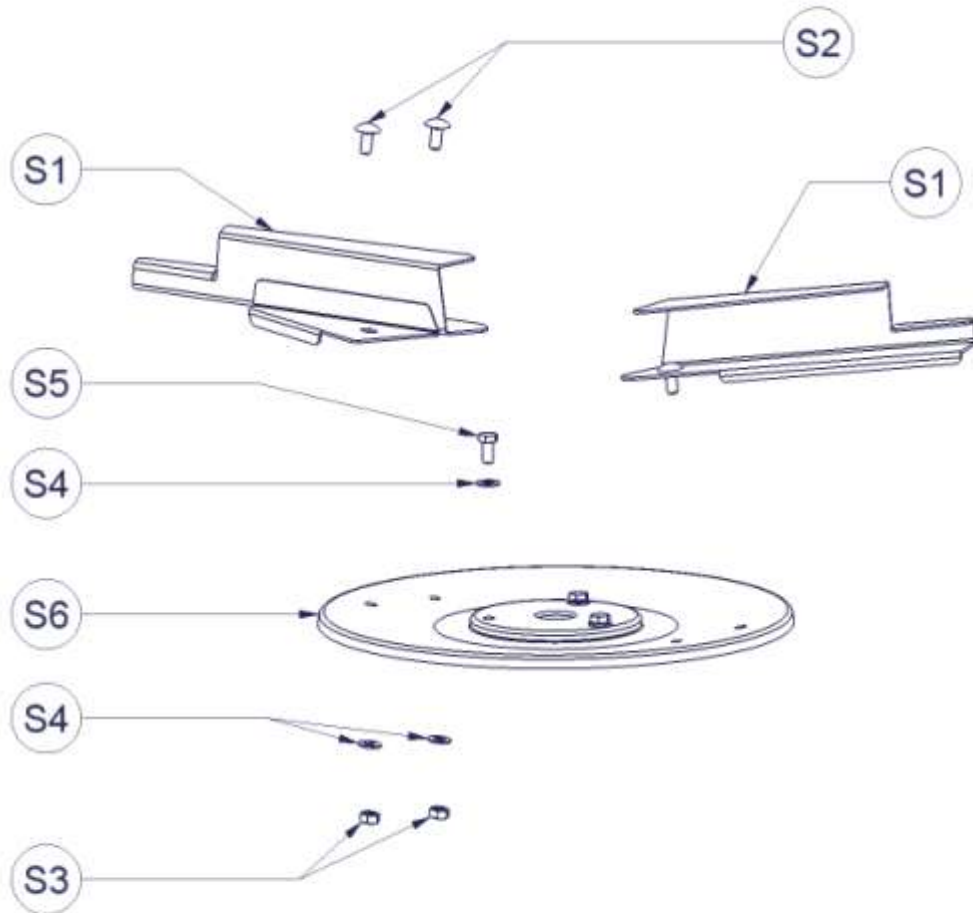
Elemento	Codice	Descrizione	Description	Qtà
1	A003.005	ANELLO TENUTA AS 35X62X10 PARAPOLVERE	OIL SEAL 35X62X10	1
2	A003.013	ANELLO TENUTA AS 25X62X10 PARAPOLVERE	OIL SEAL 25X62X10	2
3	A003.023	ANELLO TENUTA AS 25X52X10 PARAPOLVERE	OIL SEAL 25X52X10	2
4	A005.100	ALBERO ENTRATA P.T.O. 1"3/8 OMB2 DM25	INPUT SHAFT P.T.O. 1"3/8 OMB2 DM25	1
5	A005.171	ALBERO USCITA GRUPPO SP-52-70-95	OUTPUT SHAFT GEARBOX SP-52-70-95	2
6	A005.205	ALBERO TRASVERSALE GRUPPO SP 52	TRANSVER.INNER SHAFT GEARBOX DAVID-COMP.	1
7	C012.001	CUSCINETTO 6205 2RS	BEARING 6205 2RS	2
8	C012.002	CUSCINETTO 6205	BEARING 6205	6
9	C012.008	CUSCINETTO 6305	BEARING 6305	4
10	D001.006	DADO E M 8 INOX UNI 5588	STAINLESS STEEL HEXAGON NUT M8 UNI 5588	21
11	F005.001	FLANGIA COPRIPOLVERE INOX	STAINLESS STEEL DUST PROTECTION FLANGE	2
12	I002.002	INGRASSATORE M 10 X 1,5 90°UNI 7663C	GREASE NIPPLE M 10 X 1,5 90°UNI 7663C	3
13	L005.011	LINGUETTA 7 X 8 X 25	KEY 7 X 8 X 25	2
14	L005.015	LINGUETTA 8 X 7 X 16	KEY 8 X 7 X 16	4
15	R005.017	RONDELLA PIANA DM 8 INOX UNI6592 DIN125A	ST.STEEL FLAT WASHER DM 8 UNI 6592	42
16	R009.003	RUOTA DENT.M4,5 Z15 OMB 2E (MAT.20MNCR5)	TOOTHED WHEEL M4,5 Z 15 OMB 2E	1
17	R009.004	RUOTA DENT.M4,5 Z19 OMB 2E (MAT.20MNCR5)	TOOTHED WHEEL M4,5 Z 19 OMB 2E	1
18	R009.072	RUOTA DENTATA M6,5 Z11 25X45,75 C48	TOOTHED WHEEL M6,5 Z11 25X45,75 C48	4
19	S002.001	SEMISCATOLA SUPERIORE OMB 3	UPPER GEAR HOUSING OMB 3	2
20	S002.002	SEMISCATOLA INFERIORE OMB 3	LOWER GEAR HOUSING OMB 3	2
21	S002.009	SEMISCATOLA INFERIORE OMB 2	LOWER GEAR BOX OMB 2	1
22	S002.056	SEMISCATOLA SUPERIORE OMB 2	UPPER GEAR BOX OMB 2	1
23	S011.001	SEEGER E 25 UNI 7435	RETAINING RING E 25 UNI 7435	7
24	S018.065	STRUTTURA OSCILLANTE DX SP52	RIGHT FLEXIBLE STRUCTURE SP52	1
25	S018.066	STRUTTURA OSCILLANTE SX SP52	LEFT FLEXIBLE STRUCTURE SP52	1
26	T015.028	TUBO GOMMA DI 25 ALBERO SP 52	RUBBER HOSE INS.DIAM.25 SHAFT SP52	2
27	V003.008	VITE TE 8 X 20 INOX UNI 5739	ST.STEEL HEXAGON HEAD SCREW 8X20 UNI5739	4
28	V003.014	VITE TE 8 X 16 INOX UNI 5739 DIN933	ST.STEEL HEXAGON HEAD SCREW 8X16 UNI5739	17



Modello  
Model

**EUROSPAND**

**DAVID  
DAVID FRUIT**



Modello  
Model

EUROSPAND

DAVID

## Elenco ricambi - Spare parts list

Elemento	Codice	Descrizione	Description	Qtà
S1	P001.058	PALETTA SX 230 MM COMPLETA 18MT	COMPLETE LEFT VANE J/Z 230MM - 18M	2
S1	P001.054	PALETTA SX 180 MM COMPLETA 15M	COMPLETE LEFT VANE 180MM - 15M	2
S2	V003.007	VITE TB 8 X 16 INOX DIN 603	ST.STEEL CUP SQUARE SCREW 8X16 DIN 603	4
S3	D001.037	DADO E M 8 STOP INOX BASSO UNI 7474	STAINLESS STEEL HEXAGON NUT M8 UNI 7474	4
S4	R005.017	RONDELLA PIANA DM 8 INOX UNI6592 DIN125A	ST.STEEL FLAT WASHER DM 8 UNI 6592	7
S5	V003.014	VITE TE 8 X 16 INOX UNI 5739 DIN933	ST.STEEL HEXAGON HEAD SCREW 8X16 UNI5739	3
S6	D002.062	DISCO SPARG. SX K2 CX 24-28 SP 52-70-95	LEFT SPREAD.DISC K2 CX24-28 SP 52-70-95	1

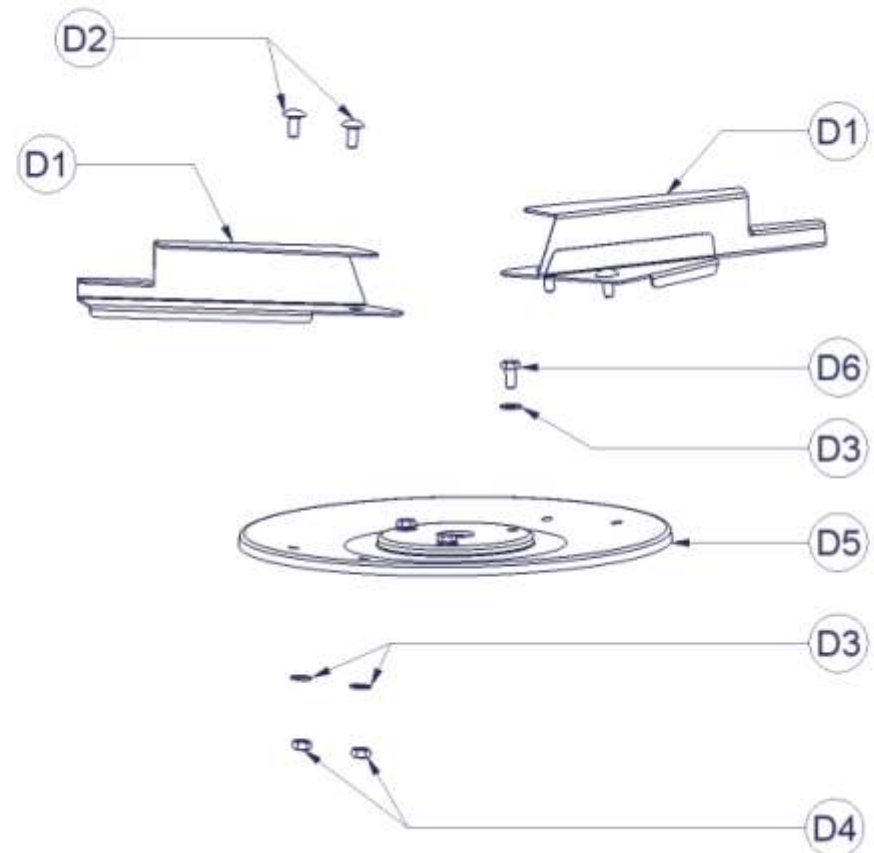
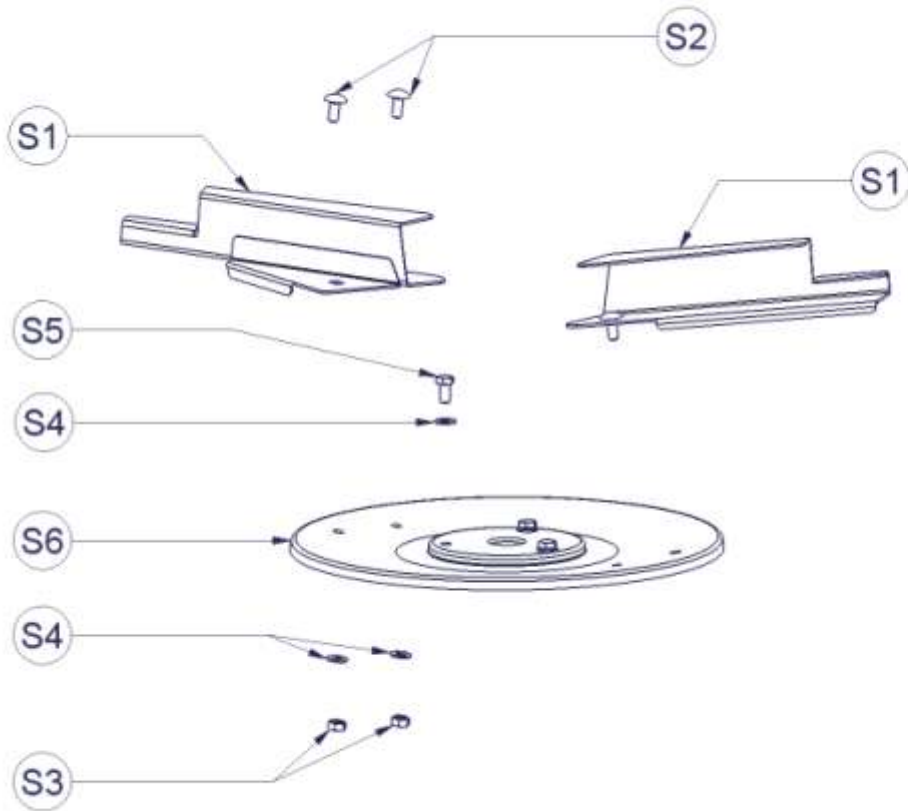
Elemento	Codice	Descrizione	Description	Qtà
D1	P001.057	PALETTA DX 230 MM COMPLETA 18MT	COMPLETE RIGHT VANE J/Z 230MM - 18M	2
D1	P001.053	PALETTA DX 180 MM COMPLETA 15M	COMPLETE RIGHT VANE 180 MM - 15M	2
D2	V003.007	VITE TB 8 X 16 INOX DIN 603	ST.STEEL CUP SQUARE SCREW 8X16 DIN 603	4
D3	D001.037	DADO E M 8 STOP INOX BASSO UNI 7474	STAINLESS STEEL HEXAGON NUT M8 UNI 7474	4
D4	R005.017	RONDELLA PIANA DM 8 INOX UNI6592 DIN125A	ST.STEEL FLAT WASHER DM 8 UNI 6592	7
D5	V003.014	VITE TE 8 X 16 INOX UNI 5739 DIN933	ST.STEEL HEXAGON HEAD SCREW 8X16 UNI5739	3
D6	D002.060	DISCO SPARG. DX K2 CX 24-28 SP 52-70-95	RIGHT SPREADER DISC K2CX24-28 SP52-70-95	1



Modello  
Model

**EUROSPAND**

**DAVID**



**EUROSPAND**  
Modello  
Model **DAVID FRUIT**

## Elenco ricambi - Spare parts list

Elemento	Codice	Descrizione	Description	Qtà
D1	P001.100	PALETTA MM 140 DX COMPLETA 12MT	COMPLETE RIGHT VANE MM140	2
D2	V003.007	VITE TB 8 X 16 INOX DIN 603	ST.STEEL CUP SQUARE SCREW 8X16 DIN 603	4
D3	R005.017	RONDELLA PIANA DM 8 INOX UNI6592 DIN125A	ST.STEEL FLAT WASHER DM 8 UNI 6592	7
D4	D001.006	DADO E M 8 INOX UNI 5588	STAINLESS STEEL HEXAGON NUT M8 UNI 5588	4
D5	D002.060	DISCO SPARG. DX K2 CX 24-28 SP 52-70-95	RIGHT SPREADER DISC K2CX24-28 SP52-70-95	1
D6	V003.014	VITE TE 8 X 16 INOX UNI 5739 DIN933	ST.STEEL HEXAGON HEAD SCREW 8X16 UNI5739	3

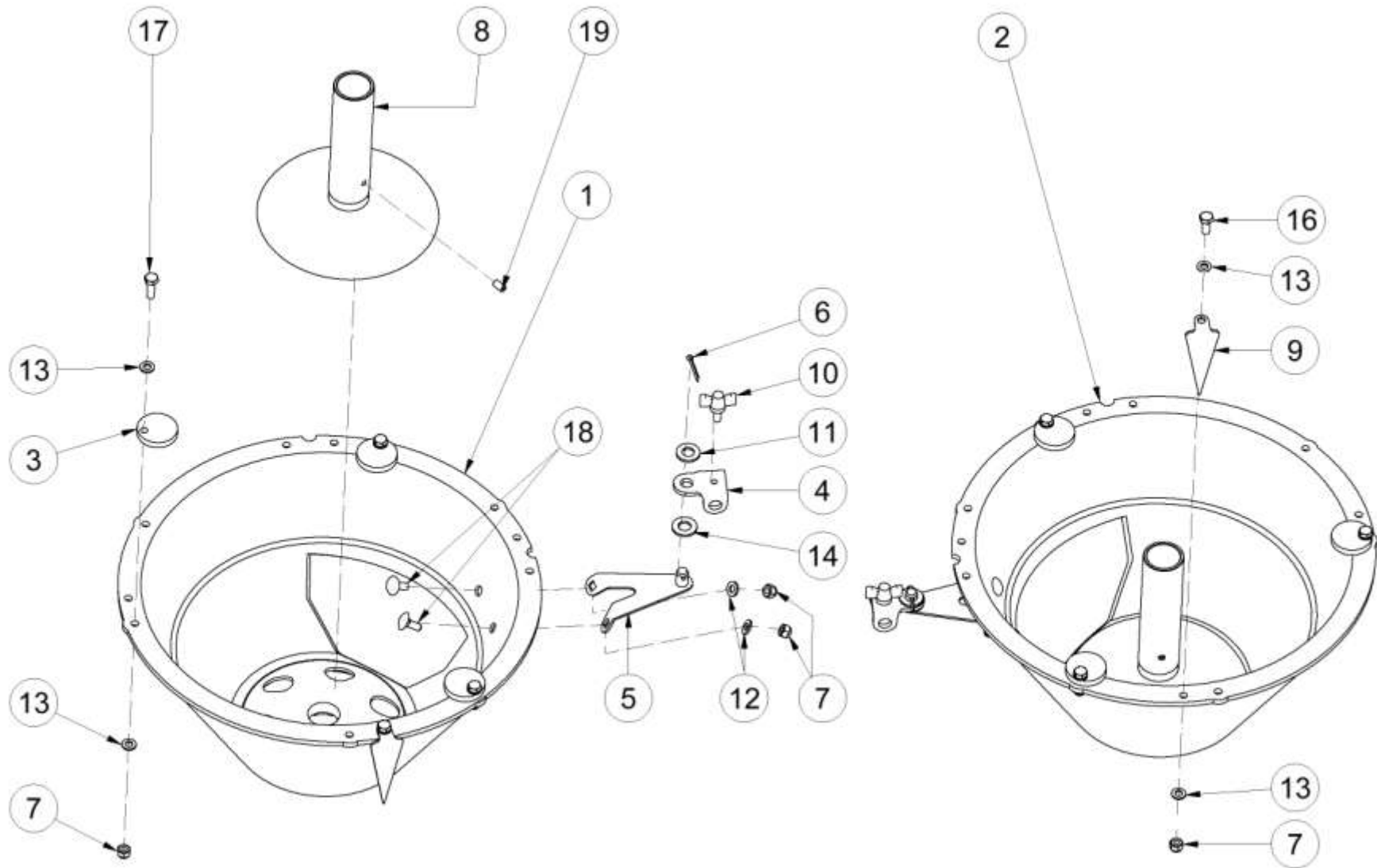
Elemento	Codice	Descrizione	Description	Qtà
S1	P001.099	PALETTA MM 140 SX COMPLETA 12MT	COMPLETE LEFT VANE MM140	2
S2	V003.007	VITE TB 8 X 16 INOX DIN 603	ST.STEEL CUP SQUARE SCREW 8X16 DIN 603	4
S3	D001.006	DADO E M 8 INOX UNI 5588	STAINLESS STEEL HEXAGON NUT M8 UNI 5588	4
S4	R005.017	RONDELLA PIANA DM 8 INOX UNI6592 DIN125A	ST.STEEL FLAT WASHER DM 8 UNI 6592	7
S5	V003.014	VITE TE 8 X 16 INOX UNI 5739 DIN933	ST.STEEL HEXAGON HEAD SCREW 8X16 UNI5739	3
S6	D002.062	DISCO SPARG. SX K2 CX 24-28 SP 52-70-95	LEFT SPREAD.DISC K2 CX24-28 SP 52-70-95	1



Modello  
Model

**EUROSPAND**

**DAVID FRUIT**



**EUROSPAND**  
Modello  
Model **DAVID**  
**DAVID FRUIT**

## ***Elenco ricambi - Spare parts list***

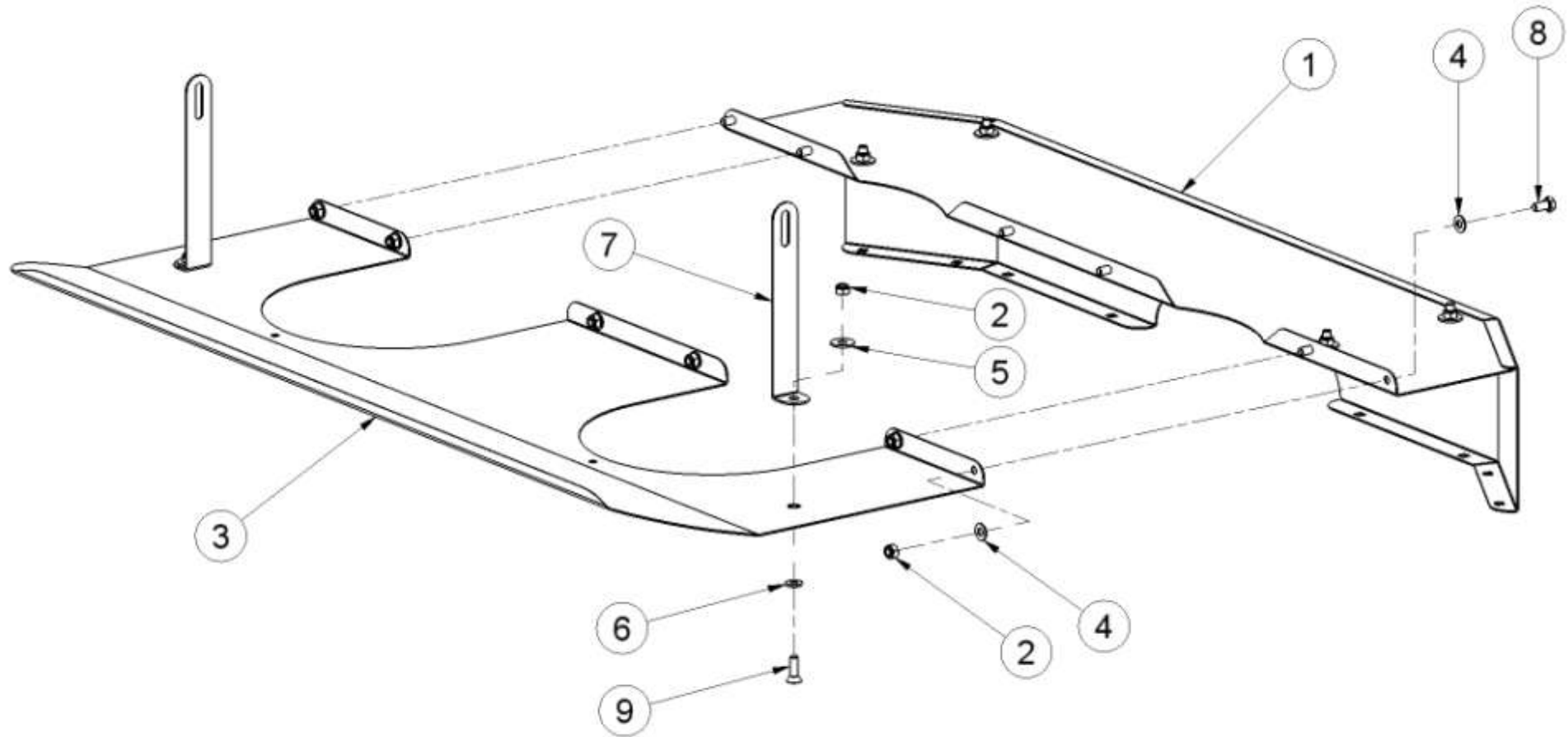
<b>Elemento</b>	<b>Codice</b>	<b>Descrizione</b>	<b>Description</b>	<b>Qtà</b>
1	A007.102	ALIMENTATORE VTR SX SP52	LEFT FIBERGLASS FEEDING BOWL SP 52	1
2	A007.103	ALIMENTATORE VTR DX SP52	RIGHT FIBERGLASS FEEDING BOWL SP 52	1
3	B002.008	BLOCCAGGIO ECCENTRICO ALIMENTATORE	ECCENTRIC PLASTIC RING	6
4	B002.009	BLOCCAGGIO ANTICIPO RITARDO ALIMENTATORE	ANTICIPATION/DELAY FEEDER BLOCK CLAMP	2
5	B007.022	BRACCIO ORIENTAMENTO ALIMENTATORE SP52	ARM ORIENT. FEED VTR SP52	2
6	C019.015	COPPIGLIA SPACCATA 2,5 X 25 INOX UNI1336	STAINLESS STEEL SPLIT PIN 2,5 X 25	2
7	D001.055	DADO E M 6 STOP INOX UNI 7473 DIN 982	ST.STEEL HEXAGON NUT DM 6 STOP UNI 7473	12
8	D002.086	DISCO ALIMENTATORE Z/J C/D COMPLETO	COMPLETE FEED. DISC Z/J C/D (ST.STEEL)	2
9	I001.019	INDICATORE ORIENT MOBILE D-C	MOVABLE POINTER D-C	2
10	I006.027	GALLETTO M6X15 M (PLA9548)INOX	WING NUT AND BOLT M6X15 M	2
11	R005.013	RONDELLA PIANA DM10 INOX UNI6592 DIN125A	ST. STEEL FLAT WASHER DM10 UNI6592	2
12	R005.027	RONDELLA PIANA DM 6 INOX UNI6592DIN125A	ST.STEEL FLAT WASHER DM 6 UNI6592 DIN125	4
13	R005.057	RONDELLA PIANA DM 6X12 INOX UNI6592	ST.STEEL FLAT WASHER DM 6X12 UNI6592	16
14	R005.085	RONDELLA NYLON 10 X 21 X 2	NYLON WASHER 10 X 21 X 2	2
15	R005.111	RONDELLA 27X42X2 INOX	WASHER 27X42X2	2
16	V003.012	VITE TE 6 X 16 INOX UNI 5739	ST.STEEL HEXAGON HEAD SCREW 6X16 UNI5739	2
17	V003.027	VITE TE 6 X 20 INOX UNI 5739	ST.STEEL HEXAGON HEAD SCREW 6X20 UNI5739	6
18	V003.243	VITE TB 6 X 16 INOX DIN 603	ST.STEEL CUP SQUARE SCREW 6X16 DIN 603	4
19	V003.318	VITE STEI 6 X 10 INOX UNI 5927	ST.STEEL SCREW 6X10 UNI 5927	2



Modello  
Model

**EUROSPAND**

**DAVID  
DAVID FRUIT**



EUROSPAND  
Modello  
Model

**DAVID**

## Elenco ricambi - Spare parts list

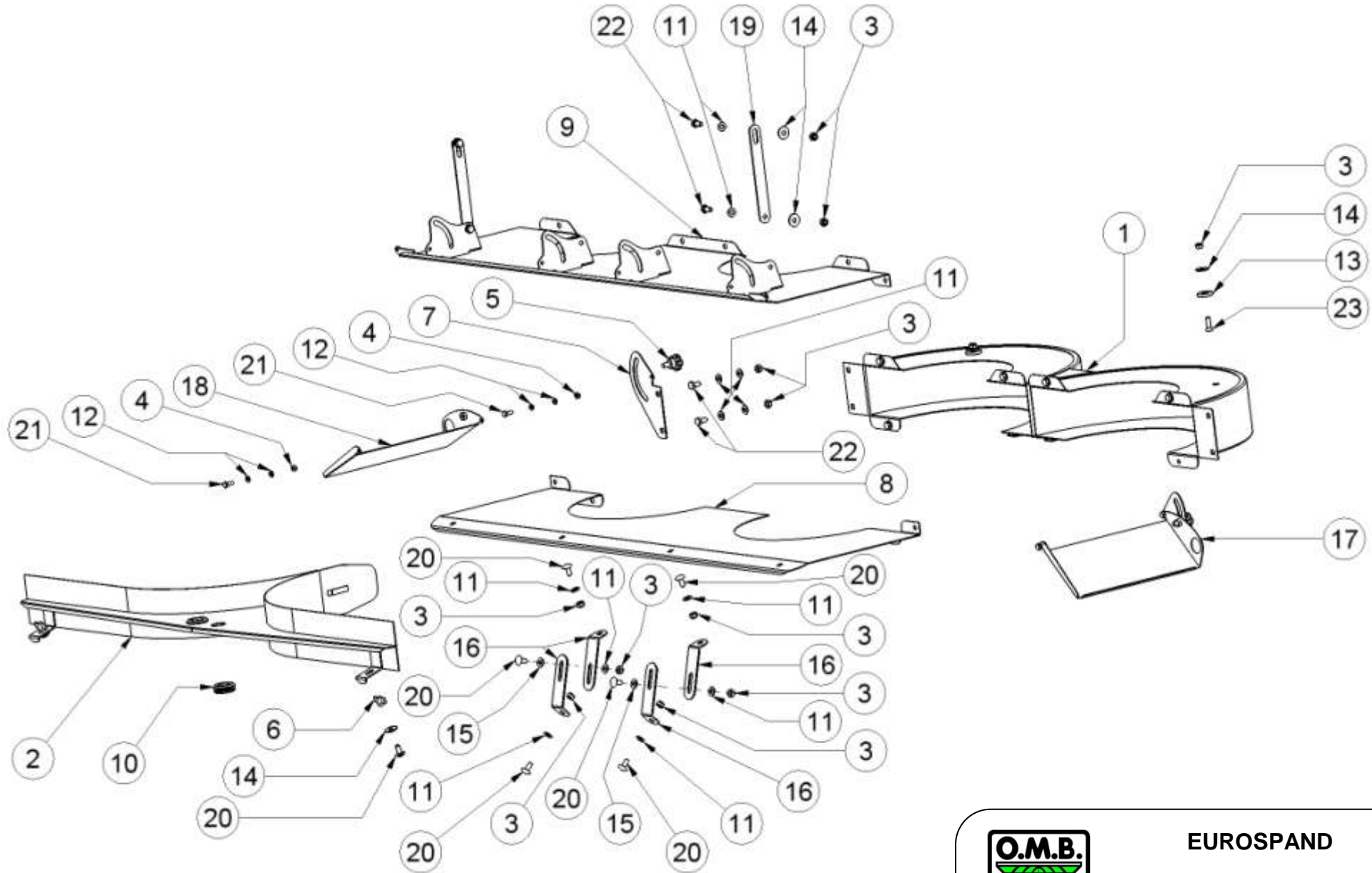
Elemento	Codice	Descrizione	Description	Qtà
1	C006.169	CARTER ANTERIORE COMPLETO SP 52	COMPLETE FRONT CASING SP52	1
2	D001.031	DADO E M 8 STOP INOX UNI 7473	ST.STEEL HEXAGON NUT DM 8 STOP UNI 7473	12
3	P012.124	PROTEZIONE ANTITURBO SP52	STAIN.STEEL ANTITURB. PROTECTION SP52-03	1
4	R005.017	RONDELLA PIANA DM 8 INOX UNI6592 DIN125A	ST.STEEL FLAT WASHER DM 8 UNI 6592	12
5	R005.080	RONDELLA PIANA DM 8X24 INOX UNI 6593	STAINLESS STEEL FLAT WASHER 8X24 UNI6593	6
6	R005.084	RONDELLA NYLON 8 X 17 X 2	NYLON WASHER 8X17X2	6
7	S008.262	STAFFA LAT FIX ANTIT.SP52-70-95+PROT.33E	SIDE CLAMP (ANTITURBULENCE FIX)	2
8	V003.014	VITE TE 8 X 16 INOX UNI 5739 DIN933	ST.STEEL HEXAGON HEAD SCREW 8X16 UNI5739	6
9	V003.326	VITE TSPEI 8 X 25 INOX UNI 5933	STAINLESS STEEL SCREW TSPEI 8X25 UNI5933	6



Modello  
Model

**EUROSPAND**

**DAVID**



**EUROSPAND**  
Modello  
Model **DAVID FRUIT**

## Elenco ricambi - Spare parts list

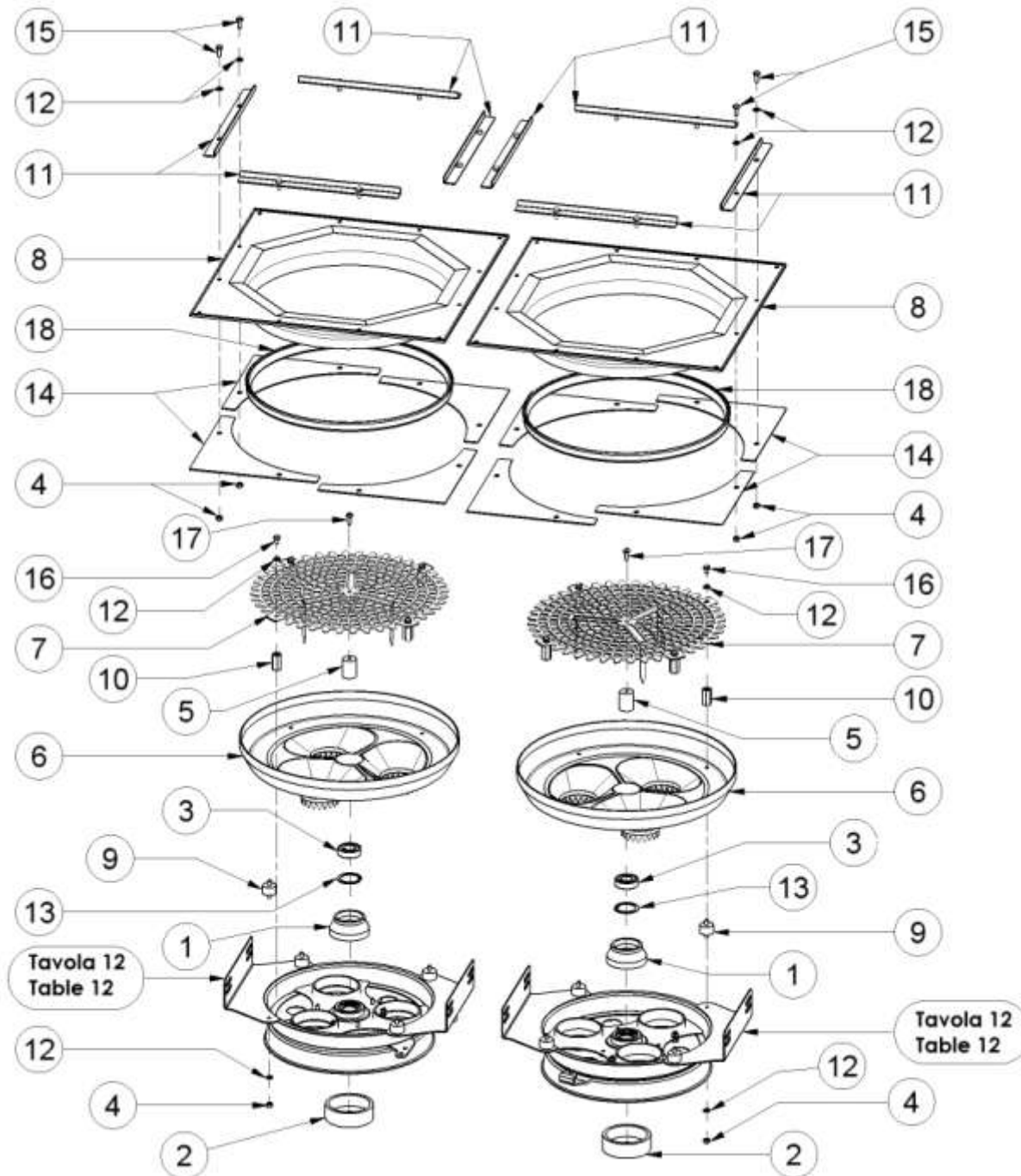
Elemento	Codice	Descrizione	Description	Qtà
1	C006.193	CARTER ANTERIORE COMPLETO FRUIT	COMPLETE FRONT CASING (FRUIT VERSION 06)	1
2	C006.194	CARTER POSTERIORE CHIUSURA COMPL. FRUIT	COMPL.REAR CLOSURE CASING (FRUIT-06)	1
3	D001.031	DADO E M 8 STOP INOX UNI 7473	ST.STEEL HEXAGON NUT DM 8 STOP UNI 7473	22
4	D001.077	DADO E M 6 INOX STOP BASSO UNI 7474	STAINLESS STEEL HAXAGON NUT DM6 UNI 7474	4
5	I006.002	VOLANTINO DM 8X15 DE 30 (PLA 9930)	KNOB DM 8X15 EXT. DIAM 30 (PLA 9930)	2
6	I006.021	GALLETTO M8 F(PLA 9548/8)	WING NUT M8 F(PLA 9548)	2
7	O003.218	ORECCHIA FULCRO DEFLETTORE FRUIT	DEFLECTOR FULCRUM HORN(FRUIT VERSION 06)	2
8	P012.141	PROTEZ. ANTITURBO POST. INF.COMPL. FRUIT	COMPL.LOW.REAR ATITURB. PROTECTION FRUIT	1
9	P012.142	PROTEZ. ANTITURBO POST. SUP.COMPL. FRUIT	COMPL.UPP.REAR ANTITURB.PROTECTION FRUIT	1
10	P018.001	PASSACAVO PER FORO DM30 (MOD 2040)	PLASTIC RING DM 30 (MOD.2040)	2
11	R005.017	RONDELLA PIANA DM 8 INOX UNI6592 DIN125A	ST.STEEL FLAT WASHER DM 8 UNI 6592	30
12	R005.057	RONDELLA PIANA DM 6X12 INOX UNI6592	ST.STEEL FLAT WASHER DM 6X12 UNI6592	8
13	R005.065	RONDELLA NYLON 30 X 12 X 5	NYLON WASHER 30X12X5	2
14	R005.080	RONDELLA PIANA DM 8X24 INOX UNI 6593	STAINLESS STEEL FLAT WASHER 8X24 UNI6593	8
15	R005.084	RONDELLA NYLON 8 X 17 X 2	NYLON WASHER 8X17X2	2
16	S010.268	SUPPORTO INF.ANTITURBO INFERIORE FRUIT	LOWER ANTITURBULENCE SUPPORT FRUIT 2006	4
17	S012.068	SARACINESCA CONV DX INOX SP52	ST.STEEL CONVEYOR RIGHT SHUTTER	1
18	S012.069	SARACINESCA CONV SX SP52	ST.STEEL CONVEYOR LEFT SHUTTER	1
19	T008.132	TIRANTE FIX ANTITURBO SUP FRUIT 05	UPPER FIXING ANTURBO.TIE ROD FRUIT 05	2
20	V003.007	VITE TB 8 X 16 INOX DIN 603	ST.STEEL CUP SQUARE SCREW 8X16 DIN 603	8
21	V003.012	VITE TE 6 X 16 INOX UNI 5739	ST.STEEL HEXAGON HEAD SCREW 6X16 UNI5739	4
22	V003.014	VITE TE 8 X 16 INOX UNI 5739 DIN933	ST.STEEL HEXAGON HEAD SCREW 8X16 UNI5739	14
23	V003.326	VITE TSPEI 8 X 25 INOX UNI 5933	STAINLESS STEEL SCREW TSPEI 8X25 UNI5933	2



Modello  
Model

**EUROSPAND**

**DAVID FRUIT**



**EUROSPAND**  
Modello  
Model  
**DAVID**  
**DAVID FRUIT**

## Elenco ricambi - Spare parts list

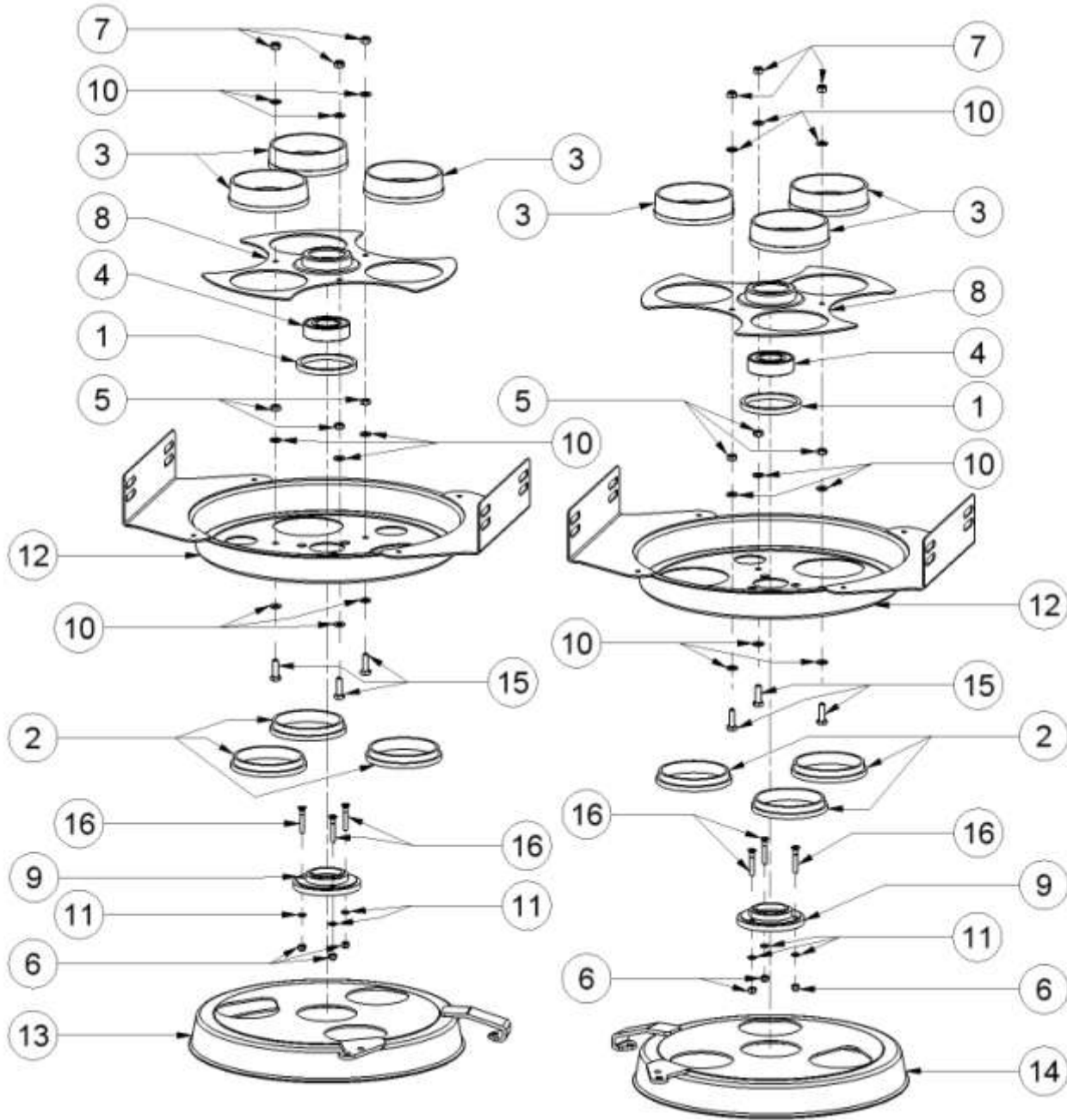
Elemento	Codice	Descrizione	Description	Qtà
1	A003.060	ANELLO IN GOMMA 72X48X33 ALIMENTAT.VIBRO	RUBBER RING 72X48X33 (VIBRO FEEDER)	2
2	A003.062	ANELLO IN GOMMA 87X27X28 ALIMENT.VIBRO	RUBBER RING 87X27X28 (VIBRO FEEDER)	2
3	C012.074	CUSCINETTO 6004 2RS	BEARING 6004 2RS	2
4	D001.077	DADO E M 6 INOX STOP BASSO UNI 7474	STAINLESS STEEL HAXAGON NUT DM6 UNI 7474	24
5	D004.039	DISTANZIALE CENTRALE GRIGLIA VIBRO	CENTRAL SPACER (VIBRO GRID)	2
6	D005.072	FONDO VIBRANTE INOX 2007 COMPLETO	ST.STEEL COMPLETE VIBRATING BOTTOM 2007	2
7	G003.084N	GRIGLIA VIBRO DOPPI PIATTI 2008	DOUBLE DISC VIBRO GRID 2008 - WITH RING	2
8	G013.016	GUARNIZIONE OTTAGONALE TRAMOGGIA	OCTAGONAL HOPPER GASKET SEAL	2
9	G014.034	GOMMINO ANTIVIBRANTE 30X15 M6X15 MM SH40	RUBBER MOUNTING 30X15 M6X15 MM SH40	8
10	N003.008	NOTTOLINO ESAGONALE INOX FISSAGG.GRIGLIA	ST.STEEL HEXAGON PAWL (FIX.GRID)	8
11	P005.234	PIASTRA TEL.FIX.SUP.G013.016	UPPER FRAME FIXING PLATE G013.016	8
12	R005.027	RONDELLA PIANA DM 6 INOX UNI6592DIN125A	ST.STEEL FLAT WASHER DM 6 UNI6592 DIN125	32
13	S011.028	SEEGER I 42 UNI 7437	ST.STEEL RETAINING RING I 42 UNI 7437	2
14	T013.260	TRAVERSINE PORTA GUARNIZIONE TRAMOGGIA	HOPPER GASKET SUPPORT CROSS-TIES	8
15	V003.012	VITE TE 6 X 16 INOX UNI 5739	ST.STEEL HEXAGON HEAD SCREW 6X16 UNI5739	16
16	V003.039	VITE TE 6 X 10 INOX UNI 5739 DIN 933	ST.STEEL HEXAG.HEAD SCREW 6 X 10 UNI5739	8
17	V003.325	VITE A2 AUTOF TC 6,3X19 UNI 6954 AB	ST.STEEL SCREW A2 AUTOF 6,3X19 UNI6954	2
18	A003.088	ANELLO 8X18 NY-VT DM 374	RING 8X18 NY-VT DM 374	2



Modello  
Model

**EUROSPAND**

**DAVID  
DAVID FRUIT**



Modello  
Model

**EUROSPAND**

**DAVID  
DAVID FRUIT**

## ***Elenco ricambi - Spare parts list***

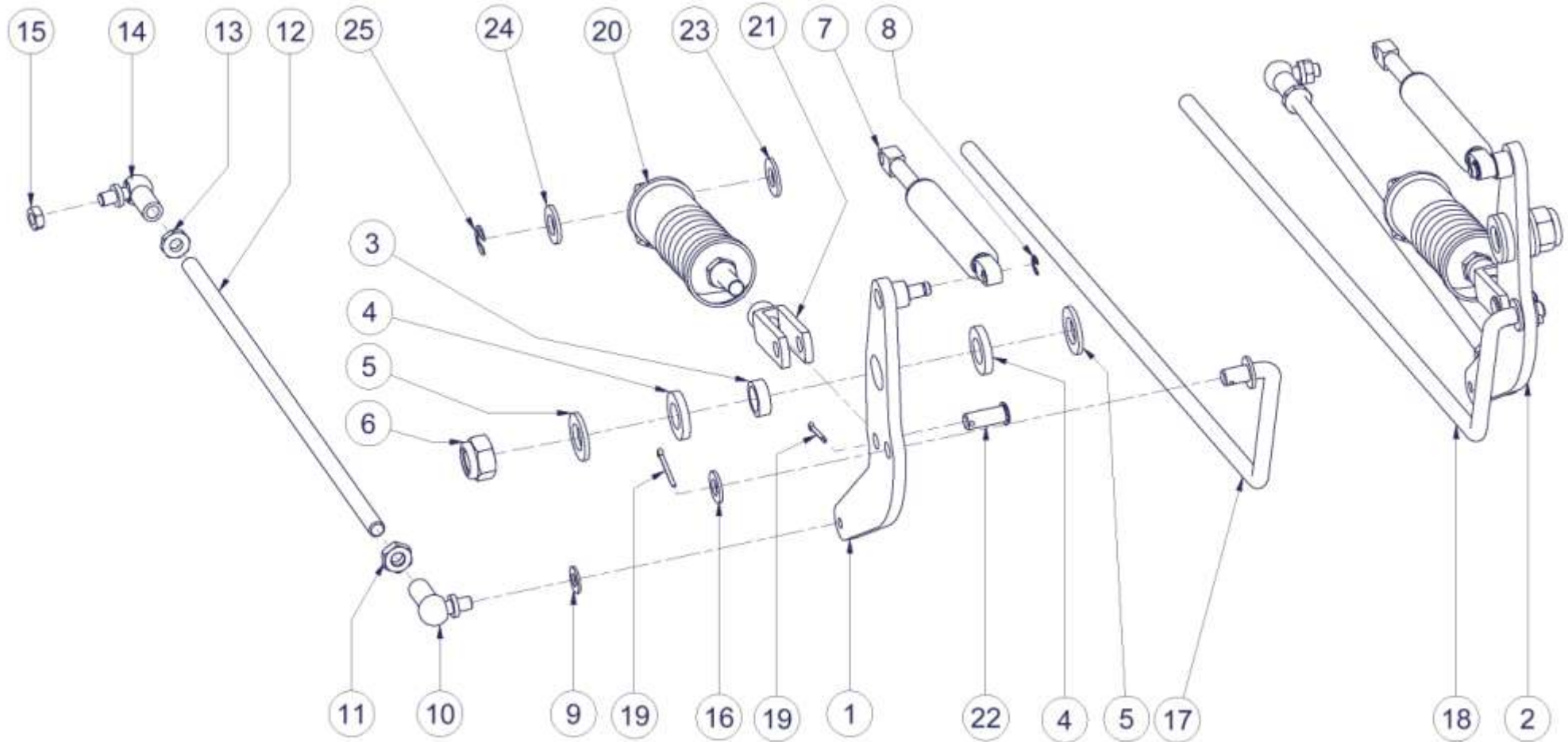
<b>Elemento</b>	<b>Codice</b>	<b>Descrizione</b>	<b>Description</b>	<b>Qtà</b>
1	A003.061	ANELLO IN GOMMA 68X60X6 ALIMENTAT.VIBRO	RUBBER RING 68X60X6 (VIBRO FEEDER)	2
2	A003.085	ANELLO PLASTICA 85X73X13 PER SARACINESCA	SHUTTER PLASTIC RING DM 73	6
3	A003.086	ANELLO IN GOMMA 89X73X25 ALIMENTAT.VIBRO	VIBRO FEEDER RUBBER RING 73X25	6
4	C012.001	CUSCINETTO 6205 2RS	BEARING 6205 2RS	2
5	D001.010	DADO E M 6 INOX UNI 5588	STAINLESS STEEL HEXAGON NUT M 6 UNI 5588	6
6	D001.075	DADO E M 5 INOX STOP BASSO UNI 7474	STAINLESS STEEL HEXAGON NUT DM5 UNI 7474	6
7	D001.077	DADO E M 6 INOX STOP BASSO UNI 7474	STAINLESS STEEL HAXAGON NUT DM6 UNI 7474	6
8	D002.095	DISCO INTERMEDIO ALIMENTATORE SP52-70-95	FEEDER INTERMEDIATE DISC SP52-70-95	2
9	F005.045	FLANGIA ROTAZIONE SARACINESCA	FLANGE SHUTTER ROTATION	2
10	R005.027	RONDELLA PIANA DM 6 INOX UNI6592DIN125A	ST.STEEL FLAT WASHER DM 6 UNI6592 DIN125	18
11	R005.041	RONDELLA DM 5X10 INOX UNI 6592	STAINLESS STEEL WASHER DM 5X10 UNI 6592	6
12	S012.092	SARACINESCA FISSA SP 52-70-95 COMPLETA	COMPLETE FIXED SHUTTER SP 52-70-95	2
13	S012.095	SARACINESCA MOBILE SX COMPLETA SP 52	COMPLETE MOBILE LEFT SHUTTER SP 52	1
14	S012.096	SARACINESCA MOBILE DX COMPLETA SP 52	COMPLETE MOBILE RIGHT SHUTTER SP 52	1
15	V003.027	VITE TE 6 X 20 INOX UNI 5739	ST.STEEL HEXAGON HEAD SCREW 6X20 UNI5739	6
16	V003.314	VITE TSPEI 5 X 25 INOX UNI 5933	ST.STEEL SOCK.FLAT HEAD SCR.5X25 UNI5933	6



Modello  
Model

**EUROSPAND**

**DAVID  
DAVID FRUIT**



Modello  
Model

**EUROSPAND**  
**DAVID**  
**DAVID FRUIT**

## ***Elenco ricambi - Spare parts list***

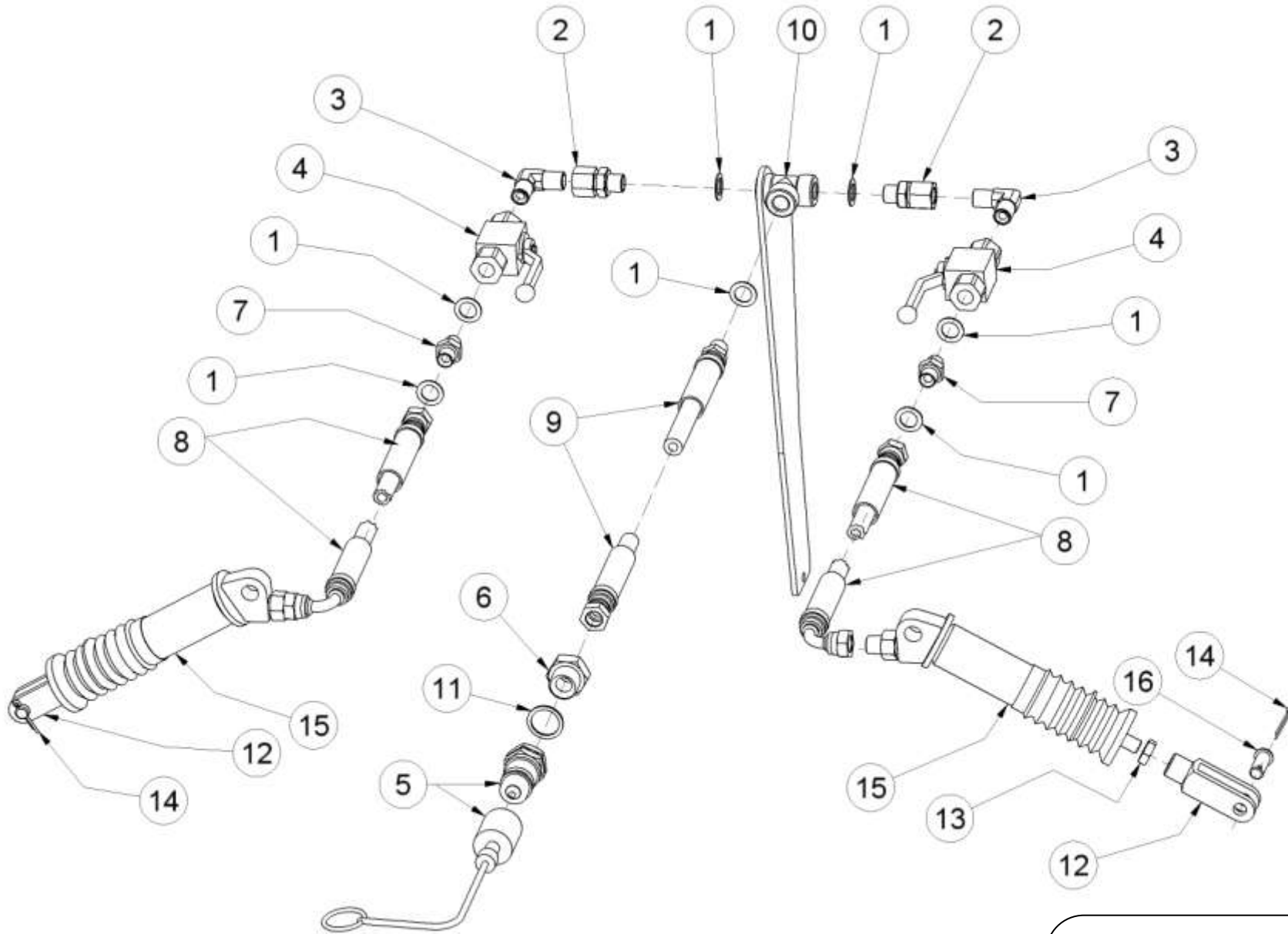
<b>Elemento</b>	<b>Codice</b>	<b>Descrizione</b>	<b>Description</b>	<b>Qtà</b>
1	L003.148	LEVA COMANDO DX COMPLETA SP52	COMPLETE RIGHT CONTROL LEVER SP52	1
2	L003.149	LEVA COMANDO SX COMPLETA SP52	COMPLETE LEFT CONTROL LEVER SP52	1
3	B004.206	BOCCOLA FULCRO LEVE SP52/70/95/70NEW	LEVER FULCRUM BUSHING SP52	2
4	R005.079	RONDELLA PVC 30 X 16 X 5	NYLON WASHER 30 X 16 X 5	4
5	R005.053	RONDELLA PIANA DM 16 INOX UNI 6592	ST.STEEL FLAT WASHER DM 16 UNI 6592	4
6	D001.026	DADO E M 16 STOP INOX BASSO UNI 7474	STAINLESS STEEL HEXAGON NUT DM16 UNI7424	2
7	M003.039	MOLLA A GAS 16-4-11279 1150 N.CORSA 85MM	GAS SHOCK ABSORBER (1150N.85MM STRETCH)	2
8	S011.011	SEEGER 6 UNI 7434 DIN 6799 INOX	ST.STEEL RETAINING RING 6 UNI 7434	2
9	R005.017	RONDELLA PIANA DM 8 INOX UNI6592 DIN125A	ST.STEEL FLAT WASHER DM 8 UNI 6592	2
10	C001.008	SNODO ANGOLARE M10 DM13 M8X10 INOX DX	STAINLESS ST.JOINT M10 DM13 M8X10(RIGHT)	2
11	D001.071	DADO M 10 DX INOX BASSO UNI 5590 DIN 439	ST.STEEL HEXAGON NUT DM10 UNI 5589	2
12	T008.111	TIRANTE M10 DX M10 SX L=375 SP 52 INOX	STAIN. STEEL TIE ROD M10 DX M10 LEFT	2
13	D001.069	DADO M10 SX INOX BASSO UNI 5590 DIN 439	ST.STEEL HEXAGON NUT LEFT DM10 UNI 5589	2
14	C001.009	SNODO ANGOLARE M10 DM13 M8X10 INOX SX	STAINLESS ST.JOINT M10 DM13 M8X10 (LEFT)	2
15	D001.030	DADO E M 8 BASSO INOX UNI 5589	ST.STEEL HEXAGON NUT DM 8 UNI 5589	2
16	R005.013	RONDELLA PIANA DM10 INOX UNI6592 DIN125A	ST. STEEL FLAT WASHER DM10 UNI6592	2
17	T008.122	TIRANTE REGOLAZIONE ORIENTAMENTO SP52 DX	ORIENT. ADJUST. TIE ROD (RIGHT) SP52	1
18	T008.123	TIRANTE REGOLAZIONE ORIENTAMENTO SP52 SX	ORIENT. ADJUST. TIE ROD (LEFT) SP52	1
19	C019.015	COPPIGLIA SPACCATA 2,5 X 25 INOX UNI1336	STAINLESS STEEL SPLIT PIN 2,5 X 25	4
20	C013.024-TN	CILINDRO A20 C62 SP52/70/95/PXT 2010	CYLINDER 20 C62 SP52/70/95/PXT 2010	2
21	F007.003	FORCELLA M 10 X 40 ZINCATA GIALLA	GALVANIZED FORK M 10 X 40 (YELLOW)	2
22	P004.043	PERNO DM 10 X 25 ZINCATO GIALLO	GALVANIZED PIN DM 10 X 25 (YELLOW)	2
23	R005.086	RONDELLA NYLON 12 X 24 X 2	NYLON WASHER 12 X 24 X 2	2
24	R005.018	RONDELLA PIANA DM12 INOX UNI6592 DIN125A	ST.STEEL FLAT WASHER DM12 UNI 6592	2
25	S011.026	SEEGER 9 UNI 7434 INOX	STAINLESS STEEL RETAINING RING 9 UNI7434	2



Modello  
Model

**EUROSPAND**

**DAVID  
DAVID FRUIT**



**EUROSPAND**  
Modello  
Model  
**DAVID**  
**DAVID FRUIT**

## ***Elenco ricambi - Spare parts list***

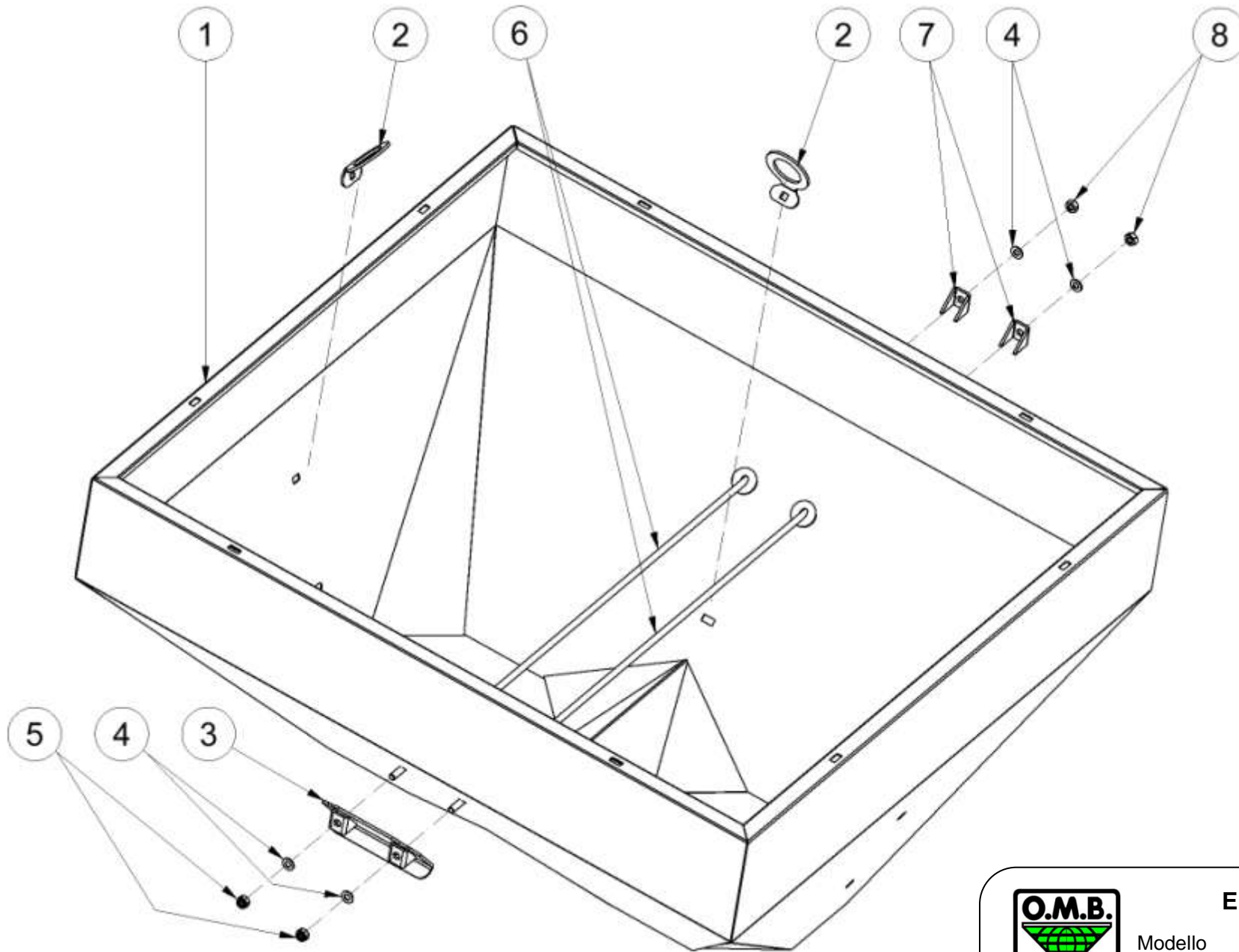
Elemento	Codice	Descrizione	Description	Qtà
1	R005.030	RONDELLA PIANA 1/4" RAME	COPPER FLAT WASHER 1/4"	7
2	R001.026	ADATTATORE 1/4M 1/4"F GIREVOLE	ORIENTABLE ADAPTER 1/4"M 1/4"F	2
3	R001.009	RACCORDO GOMITO 1/4" 90°	ADAPTER 1/4" 90°	2
4	V004.002	VALVOLA RUBINETTO 1/4" 2 VIE CON LEVA	COCK VALVE 1/4" (2 WAYS WITH LEVER)	2
5	V004.003	VALVOLA INNESTO RAPIDO 1/2" MS CON TAPPO	VALVE WITH MALE COUPLING 1/2" WITH CAP	1
6	R001.014	RACCORDO VITE DOPPIA 1/2"-1/4"	DOUBLE SCREW COUPLING 1/2"-1/4"	1
7	R001.001	RACCORDO VITE DOPPIA 1/4"-1/4"	ADAPTER DOUBLE SCREW 1/4"-1/4"	2
8	T015.027	TUBO 1/4" R1AP-AS 1/4"F 1/4"F 90° L3200	PIPE 1/4" R1AP-AS 1/4"M 1/4"F 90° L3200	2
9	T015.032	TUBO 1/4"R1AP-AS 1/4"M 1/4"F L=2000	PIPE 1/4"R1AP-AS 1/4"M 1/4"F L=2000	1
10	S008.248	STAFFA COMANDO IDRAULICO	HYDRAULIC CONTROL CLAMP	1
11	R005.061	RONDELLA PIANA 1/2" RAME	COPPER FLAT WASHER 1/2"	1
12	F007.003	FORCELLA M 10 X 40 ZINCATA GIALLA	GALVANIZED FORK M 10 X 40 (YELLOW)	2
13	D001.071	DADO M 10 DX INOX BASSO UNI 5590 DIN 439	ST.STEEL HEXAGON NUT DM10 UNI 5589	2
14	C019.015	COPPIGLIA SPACCATA 2,5 X 25 INOX UNI1336	STAINLESS STEEL SPLIT PIN 2,5 X 25	2
15	C013.024	CILINDRO A20 C62 SP52/70/95/PXT	CYLINDER 20 C62 NEW TYPE	2
16	P004.043	PERNO DM 10 X 25 ZINCATO GIALLO	GALVANIZED PIN DM 10 X 25 (YELLOW)	2



Modello  
Model

**EUROSPAND**

**DAVID  
DAVID FRUIT**



Modello  
Model

**EUROSPAND**

**DAVID  
DAVID FRUIT**

## ***Elenco ricambi - Spare parts list***

<b>Elemento</b>	<b>Codice</b>	<b>Descrizione</b>	<b>Description</b>	<b>Qtà</b>
1	T010.323	TRAMOGGIA 600L. 8 D-C 2007	600L. HOPPER 8 D/C 2007	1
1	T010.324	TRAMOGGIA 600L. 8 D-C 2007 INOX	600L. ST. STEEL HOPPER 8 D/C 2007	1
2	O003.220	ORECCHIA SOLLEVAMENTO MACCHINE FE	LIFT HORN (IRON IMPLEMENTS)	3
2	O003.221	ORECCHIA SOLLEVAMENTO MACCHINE INOX	LIFT HORN (STAINLESS STEEL IMPLEMENTS)	3
3	P005.256	PIASTRA EST.TIRANTE 3°PUNTO D/C P11	OUTER PLATE (3RD POINT TIE ROD) D/C P11	1
3	P005.257	PIASTRA EST.TIRANTE 3°PUNTO D/C INOX	ST.STEEL OUT.PLATE (3RD P.TIE ROD) D/C	1
4	R005.013	RONDELLA PIANA DM10 INOX UNI6592 DIN125A	ST. STEEL FLAT WASHER DM10 UNI6592	4
5	D001.033	DADO E M 10 STOP INOX BASSO UNI 7474	ST. STEEL HEXAGON NUT M 10 UNI 7474	2
6	T008.149	TIRANTE 3°PUNTO TRAM D-C DM 10 ZINC.	GALV.3RD POINT-HOPPER TIE ROD D/C DM10	2
6	T008.150	TIRANTE 3°PUNTO TRAM D-C DM 10 INOX.	ST.ST.3RD POINT-HOPPER TIE ROD D/C DM10	2
7	D004.067	DISTANZIALE ESTERNO PIASTRA TRAMOGGIA	OUTER SPACER (PLATE HOPPER)	2
8	D001.005	DADO E M 10 INOX UNI 5588	ST. STEEL HEXAGON NUT M 10 UNI 5588	2



Modello  
Model

**EUROSPAND**

**DAVID  
DAVID FRUIT**



**O.M.B. OFFICINE MECCANICHE BOVESANE S.R.L.**  
Via Cuneo 153/155 - 12012 BOVES (CN)  
ITALY

Tel. Estero +39 0171 391511  
Tel. Italia +39 0171 391501  
Fax. +39 0171 391507  
E-Mail [omb@gruppoocavallo.it](mailto:omb@gruppoocavallo.it)