



WOODY FLEX BRUSHCUTTERS

AGRICULTURAL AND FORESTRY APPLICATIONS



Woody Equipment

Woody Equipment designs and manufactures robust and high quality forestry and agricultural equipment.

Designed and manufactured in Quebec

equipementswoody.com

The Woody brushcutters are mounted on a 3-point hitch, the front and cross frames are solely manufactured with HSS 50W 3/8" for the 5' and HSS 50W 1/2" for the 6', the mower itself is solely manufactured with 50W 3/16" and 1/4" plate. With its robust design, it can be used to cut different types of materials, such as bushes, shrubs and small trees up to 3" in diameter. Compared to other brushcutters, the Woody produces small pieces of debris. It is very effective at maintaining large areas and is ideal for clearing brush around agricultural fields and forestry roads.

Woody brushcutters are equipped with proven and efficient mechanics, including two 50-class P.T.O.'s with an integrated clutch to protect the system, a 60 hp gearbox with a ratio of 1 to 1.5 and a second 55 hp gearbox with a ratio of 1 to 1.12. They are equipped with a rotating plate with a swivel knife at each end of the plate to lighten the workload of the clutch. They are equipped with an optional rear splash curtain made of 3/8" chain to stop or considerably slow down debris.

They are equipped with a hydraulic safety system, a single action lift system, a ball valve on the lift to secure maintenance, and a hydraulic pivot to position the mower horizontally or at an angle.

equipementswoody.com

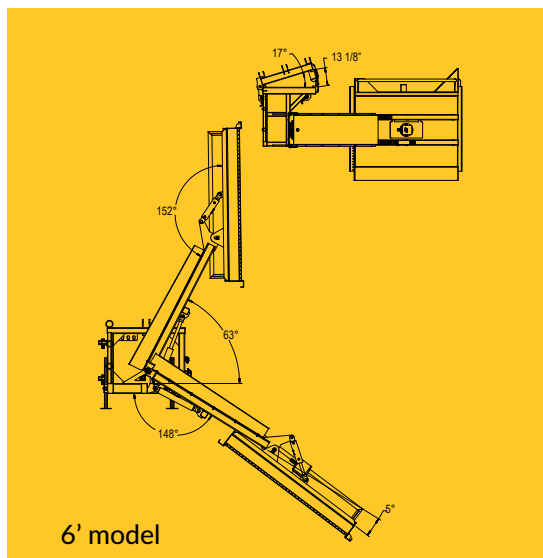
WOODY FLEX BRUSHCUTTERS



equipementswoody.com

TECHNICAL DATA — WOODY FLEX BRUSHCUTTERS

| MODEL | 5' | 6' |
|---------------------------------------|----------|----------|
| RECOMMENDED VEHICLE | 60 HP | 80 HP |
| Minimum carrier operating weight (lb) | 6500 | 8000 |
| Cutting width (in.) | 60 | 72 |
| Rotating knives +/- (rpm) | 910 | 910 |
| PTO | 540 | 540 |
| Clutch on PTO | standard | standard |
| PTO category | 50 | 50 |
| Gearbox capacity (hp) | 60 | 60 |
| Rear impact curtain (3/8" chain) | optional | optional |



PN: 108-000-012 V.20221012-EN — Designed by Expressions Grafik

WOODY EQUIPMENT INC.
205 rue Commerciale, Saint-Odilon (QC) G0S 3A0
T. 418 464-2748 | F. 418 464-2746
info@equipementswoody.com

