



SIPMA S.A.  
ul. Budowlana 26  
20-469 Lublin, Poland  
Tel. (+48) 81 74 45 071  
[www.sipma.pl](http://www.sipma.pl)

***FIXED CHAMBER ROUND BALER***  
***SIPMA PS 1210 CLASSIC***  
***SIPMA PS 1211 FARMA PLUS***



***CATALOGUE OF PARTS***

8th edition, 2016



## How to use this catalogue

The Catalogue contains component drawings and tables with listings of assembly parts.

The Catalogue should be used as follows:

1. Check the information given in the equipment sheet in the Instruction Manual – it helps determine the sizes of certain parts.
2. Determine in which unit the needed part is located;
3. Find the relevant drawing of the unit and the relevant part in it;
4. Using the part number on the drawing as a guide, find the relevant drawing or standard number in the table, name of the part and quantity.

## Ordering Spare Parts

Spare parts can be purchased:

1. At the SIPMA S.A. web store (<http://sklep.sipma.pl>) – advantages: showing exact locations of parts, 24/7 access, and the shortest delivery times;
2. Directly at the manufacturer;
3. Directly at the supplier of machines.

While ordering spare parts, the following need to be specified each time:

- detailed address of the ordering party;
- machine identification number;
- exact drawing number of the spare part with its name and required quantity.

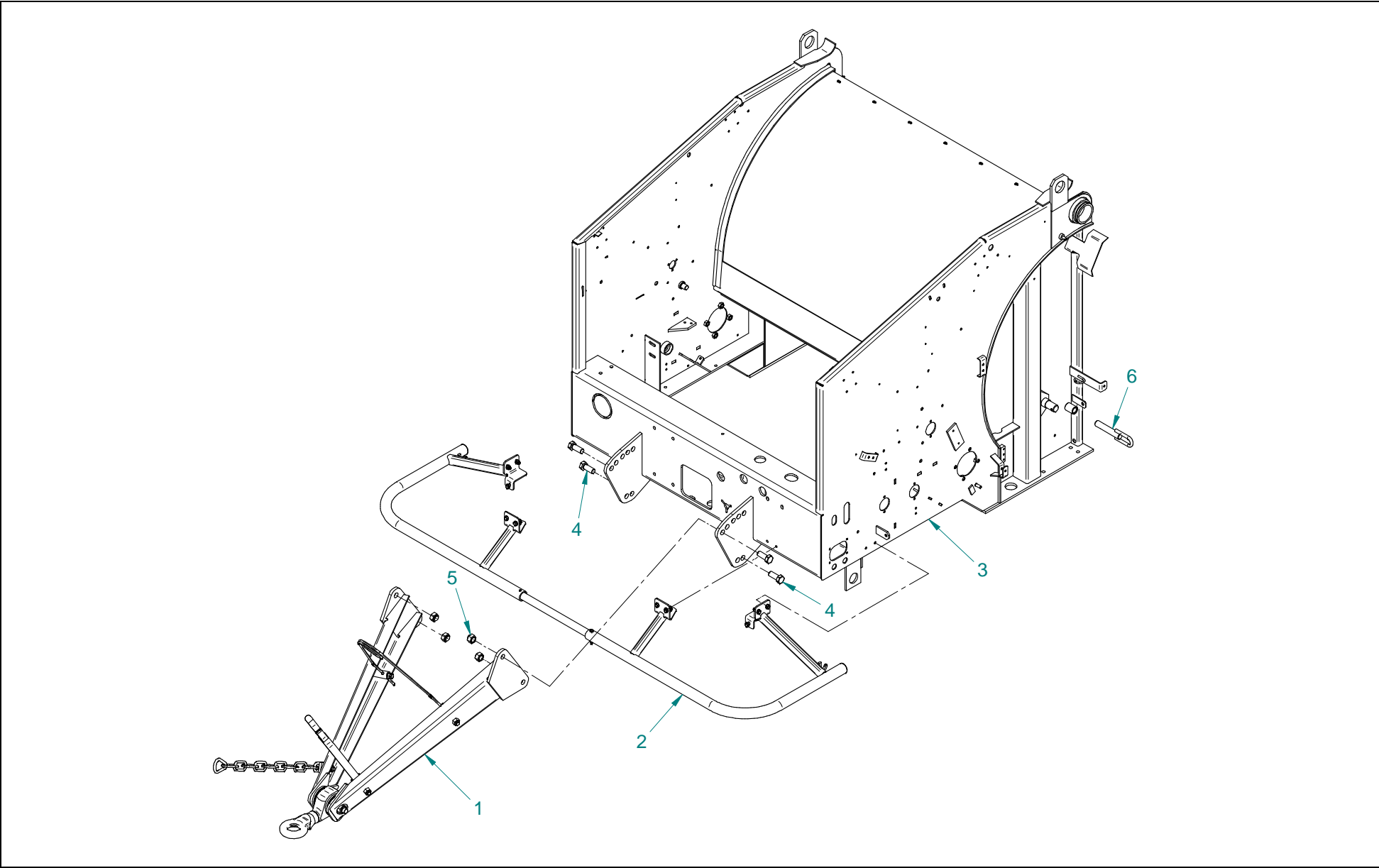
**Only original spare parts can guarantee perfect matching of components and long, maintenance-free operation.**

## List of Tables

<b>Table 1</b>	<b>Main frame assembly 5279-010-500.04 (SIPMA PS 1210 CLASSIC)</b> .....	<b>6</b>
<b>Table 2</b>	<b>Drawbar assembly 5279-010-520.00</b> .....	<b>8</b>
<b>Table 3</b>	<b>Railing assembly 5276-010-640.00</b> .....	<b>10</b>
<b>Table 4</b>	<b>Telescopic pillar assembly 5276-051-500.00</b> .....	<b>12</b>
<b>Table 5</b>	<b>Main frame assembly, 5279-010-800.03 (SIPMA PS 1211 FARMA PLUS)</b> .....	<b>14</b>
<b>Table 6</b>	<b>Main frame assembly 5279-020-500.12 (SIPMA PS 1210 CLASSIC)</b> .....	<b>16</b>
<b>Table 7</b>	<b>Rear frame assembly 5279-021-500.12 (SIPMA PS 1211 FARMA PLUS)</b> .....	<b>18</b>
<b>Table 8</b>	<b>Mechanical lock assembly, 5279-021-600.00 (SIPMA PS 1211 FARMA PLUS)</b> .....	<b>20</b>
<b>Table 9</b>	<b>Chamber filling indicator 5279-021-700.11 (SIPMA PS 1211 FARMA PLUS)</b> .....	<b>22</b>
<b>Table 10</b>	<b>Feeder and rollers assembly 5276-030-500.20</b> .....	<b>24</b>
<b>Table 11</b>	<b>Vehicle wheels assembly 5276-040-500.03</b> .....	<b>28</b>
<b>Table 12</b>	<b>Baling unit 5279-070-500.01</b> .....	<b>30</b>
<b>Table 13</b>	<b>Main drive assembly 5279-080-500.20</b> .....	<b>33</b>
<b>Table 14</b>	<b>Gearbox PK 01M 00-00</b> .....	<b>37</b>
<b>Table 15</b>	<b>PTO shaft 60960/602.K600/4</b> .....	<b>39</b>
<b>Table 16</b>	<b>Bale chute assy 5276-090-600.02</b> .....	<b>41</b>
<b>Table 17</b>	<b>Grate assembly 5276-110-600.00</b> .....	<b>43</b>
<b>Table 18</b>	<b>Hydraulic system 5279-120-500.10 (SIPMA PS 1210 CLASSIC)</b> .....	<b>45</b>
<b>Table 19</b>	<b>Hydraulic system 5279-120-800.10 (SIPMA PS 1211 FARMA PLUS)</b> .....	<b>48</b>
<b>Table 20</b>	<b>Twine-wrapping unit (mechanical control) 5279-131-500.00</b> .....	<b>51</b>
<b>Table 21</b>	<b>Twine-wrapping unit assembly</b> .....	<b>54</b>
<b>Table 22</b>	<b>Twine guide assy</b> .....	<b>57</b>
<b>Table 23</b>	<b>Twine brake assembly 5270-131-670.00</b> .....	<b>57</b>
<b>Table 24</b>	<b>Twine-wrapping unit (electrical control) 5279-132-500.00</b> .....	<b>59</b>
<b>Table 25</b>	<b>Clutch unit assy 5276-340-700.00</b> .....	<b>62</b>
<b>Table 26</b>	<b>Lighting 5279-140-500.20</b> .....	<b>64</b>
<b>Table 27</b>	<b>Guards, set 5279-152-500.01</b> .....	<b>66</b>
<b>Table 28</b>	<b>Front guard assy, right 5295-150-510.00</b> .....	<b>69</b>
<b>Table 29</b>	<b>Front guard assy, left 5295-150-530.00</b> .....	<b>71</b>

<b>Table 30</b>	<b>Middle guard, set 5295-150-550.02</b> .....	<b>73</b>
<b>Table 31</b>	<b>Locking device assy 5600-150-710.00</b> .....	<b>75</b>
<b>Table 32</b>	<b>Hinge assy 5295-150-640.00</b> .....	<b>75</b>
<b>Table 33</b>	<b>Net wrapping unit 5279-161-500.02</b> .....	<b>77</b>
<b>Table 34</b>	<b>Net container assembly 5600-161-520.00</b> .....	<b>81</b>
<b>Table 35</b>	<b>Net rod assembly 5295-160-650.00</b> .....	<b>83</b>
<b>Table 36</b>	<b>Carcass sleeve 5600-160-528.01</b> .....	<b>85</b>
<b>Table 37</b>	<b>Control lever assy 5279-161-600.00</b> .....	<b>85</b>
<b>Table 38</b>	<b>Pressure roller assembly 5279-161-530.00</b> .....	<b>87</b>
<b>Table 39</b>	<b>Bracket and knife assy kpl 5279-161-550.00</b> .....	<b>89</b>
<b>Table 40</b>	<b>Distribution bar assy 5270-160-820.00</b> .....	<b>91</b>
<b>Table 41</b>	<b>Paint layer 5279-170-500.20 (SIPMA PS 1211 FARMA PLUS)</b> .....	<b>92</b>
<b>Table 42</b>	<b>Paint layer 5279-170-600.10 (SIPMA PS 1210 CLASSIC)</b> .....	<b>100</b>
<b>Table 43</b>	<b>Pickup frame 5276-200-510.12</b> .....	<b>108</b>
<b>Table 44</b>	<b>Pickup 5276-200-520.10</b> .....	<b>111</b>
<b>Table 45</b>	<b>Chain lubrication system 5279-231-500.01</b> .....	<b>114</b>
<b>Table 46</b>	<b>Grouped lubrication 5279-250-500.01</b> .....	<b>117</b>
<b>Table 47</b>	<b>Coupling assy 5279-260-500.00</b> .....	<b>119</b>
<b>Table 48</b>	<b>Control 5279-350-500.02</b> .....	<b>123</b>

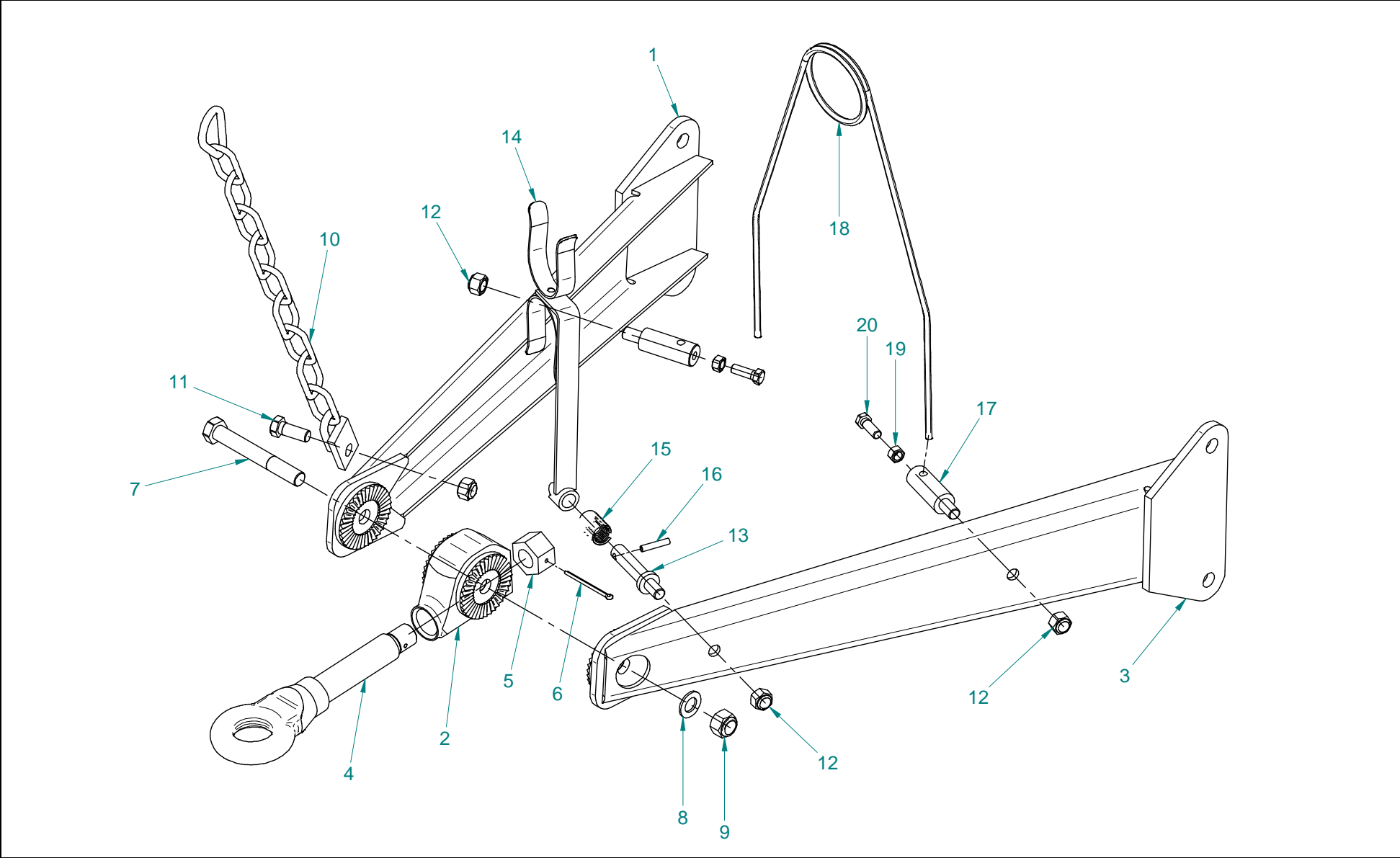
**Table 1 Main frame assembly 5279-010-500.04 (SIPMA PS 1210 CLASSIC)**



**Main frame assembly 5279-010-500.04 (SIPMA PS 1210 CLASSIC)****Table 1**

<b>No. in the Drawing</b>	<b>No. of diagram or standard</b>	<b>Name of part</b>	<b>Quantity</b>	<b>Comments</b>
1	5279-010-520.00	Adjustable drawbar assembly	1	Table 2
2	5276-010-640.00	Railing assembly	1	Table 3
3	5279-010-510.24	Main frame, welded	1	
4	PN-M-82105	M20x50-8.8-B-Fe/Zn8 bolt	4	
5	PN-M-82175	Self-locking nut M20-8-B-Fe/Zn8	4	
6	5279-010-600.00	Eye stud, welded	2	

**Table 2    Drawbar assembly 5279-010-520.00**

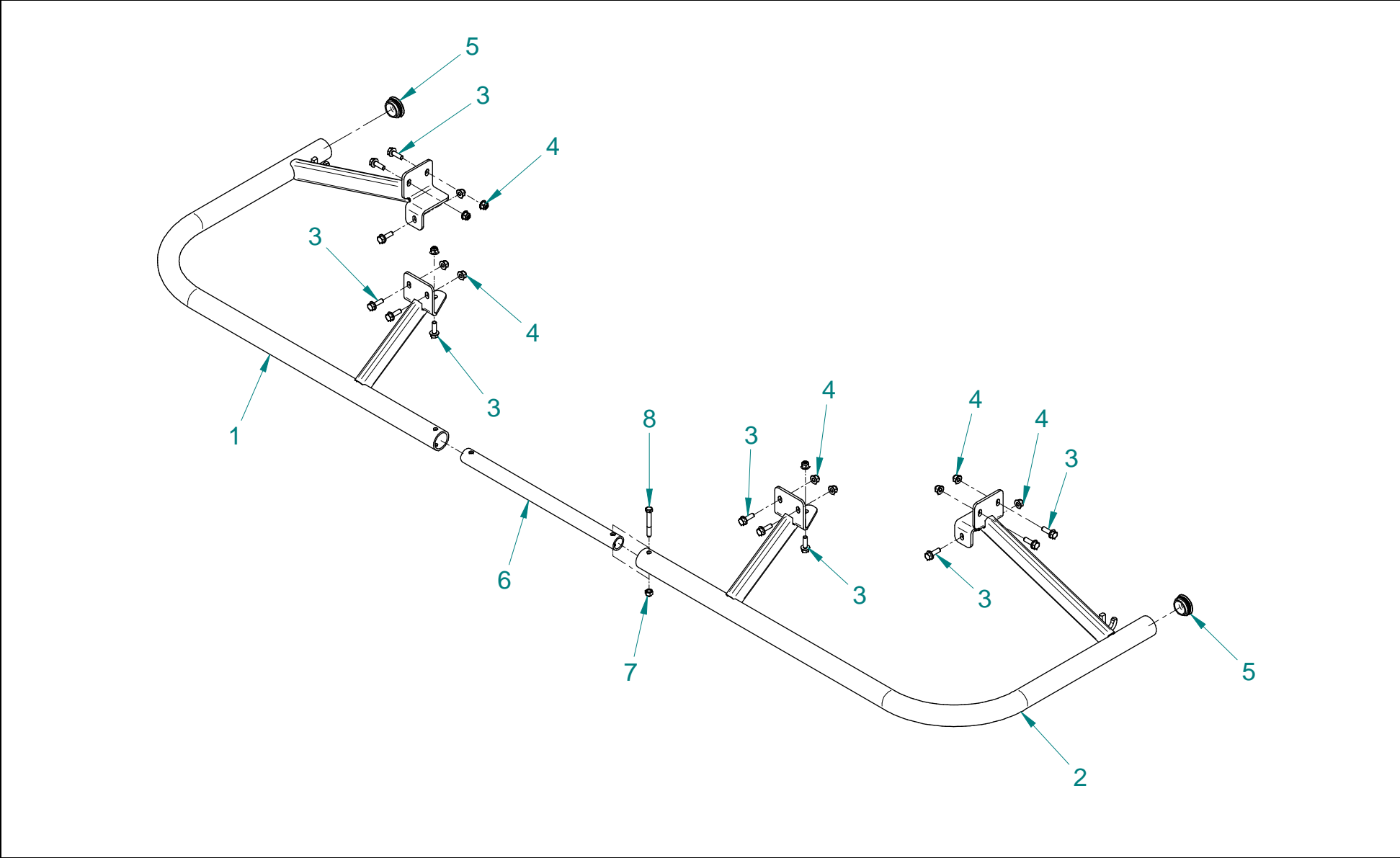




**Drawbar assembly 5279-010-520.00****Table 2**

<b>No. in the Drawing</b>	<b>No. of diagram or standard</b>	<b>Name of part</b>	<b>Quantity</b>	<b>Comments</b>
1	5279-010-530.00	Right drawbar beam, welded	1	
2	5600-030-520.01	Seating (grooved)	1	
3	5279-010-540.00	Left drawbar beam, welded	1	
4	5600-030-106.00	Ring hitch	1	
5	5270-010-157.00	Special nut	1	
6	PN-EN ISO 1234	Cotter pin 5x71-St	1	
7	PN-M-82101	Bolt M20x150-8.8-B	1	
8	PN-M-82005	Washer 21	1	
9	PN-M-82175	Self-locking nut M20-8-B-Fe/Zn8	1	
10	5276-010-580.00	Chain assy.	1	
11	PN-M-82105	Bolt M16x40-8.8-B	1	
12	PN-M-82175	Self-locking nut M16-8-B Fe/Zn8	4	
13	5279-010-147.00	Pin	1	
14	5279-010-570.00	Shaft support assembly	1	
15	089-000975-5.511	Push spring	1	
16	PN-M-85023	Spring-type straight pin 8x40	1	
17	5279-010-148.00	Fixing pin	2	
18	5279-010-149.00	Spring	1	
19	PN-M-82144	Nut M12-8-B Fe/Zn8	2	
20	PN-M-82105	Bolt M12x35-8.8-B Fe/Zn8	2	

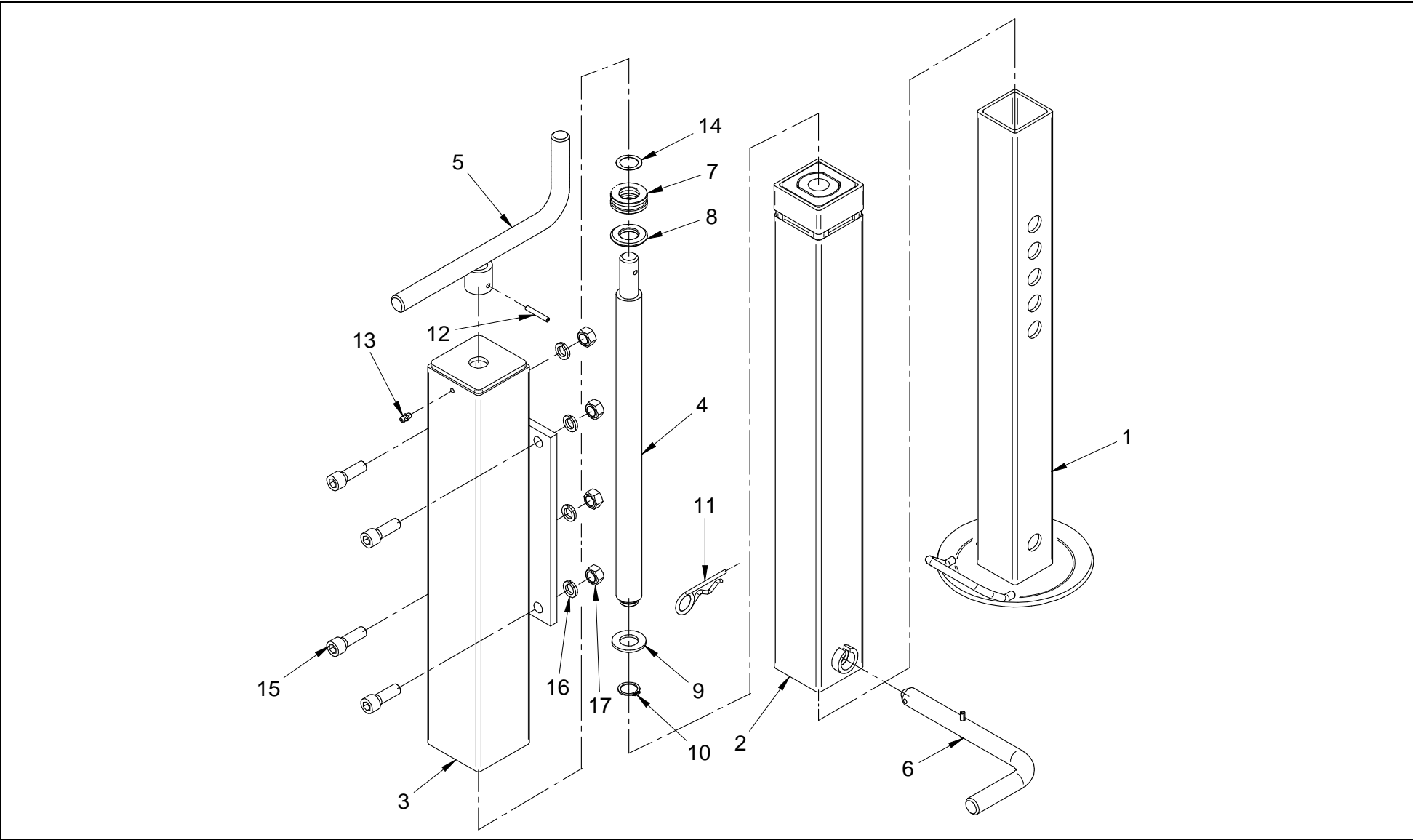
**Table 3 Railing assembly 5276-010-640.00**



**Railing assembly 5276-010-640.00****Table 3**

<b>No. in the Drawing</b>	<b>No. of diagram or standard</b>	<b>Name of part</b>	<b>Quantity</b>	<b>Comments</b>
1	5276-010-650.00	Right railing, welded	1	
2	5276-010-660.00	Left railing, welded	1	
3	PN-M-82247	Bolt N-U M 8x25-8.8	12	
4	DIN 6926	Self-locking nut M 8-8-B-Fe-Zn8	12	
5		Inner round cap, D=42.8mm	2	
6	5276-010-308.00	Middle tube	1	
7	PN-M-82175	Self-locking nut M8-8-B Fe/Zn8	1	
8	PN-M-82101	Bolt M8x60-8.8-B	1	

**Table 4    Telescopic pillar assembly 5276-051-500.00**

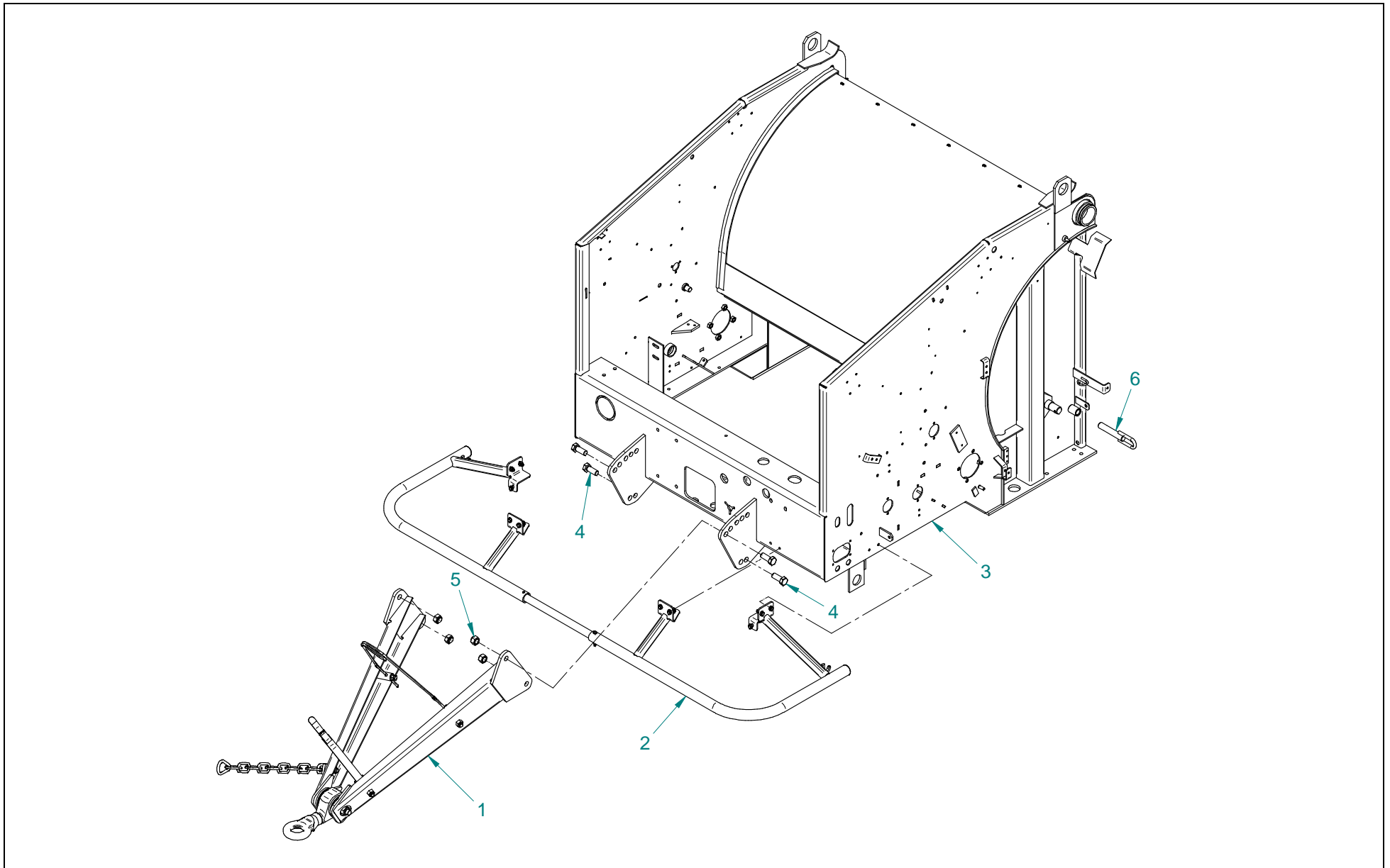


**Telescopic pillar assembly 5276-051-500.00**

**Table 4**

<b>No. in the Drawing</b>	<b>No. of diagram or standard</b>	<b>Name of part</b>	<b>Quantity</b>	<b>Comments</b>
1	5276-051-550.00	Inner profile 2, welded	1	
2	5276-051-540.00	Inner profile	1	
3	5276-051-530.00	Outer profile, welded	1	
4	5600-050-115.00	Bolt	1	
5	5600-050-560.00	Handle	1	
6	5276-051-600.00	Pin	1	
7	PN-M-86260	Thrust ball bearing 51204	1	
8	5270-050-130.00	Ring	1	
9	PN-M-82005	Washer 21	1	
10	PN-M-85111	Circlip Z 20	1	
11	PN-ISO 7072	Cotter pin 4x75-Fe-Zn8	1	
12	PN-M-85023	Spring-type straight pin 5x32	1	
13	PN-M-86002	Grease nipple StM6x1	1	
14	089-000712-0.142	Washer	1	
15	PN-M-82302	M12x35-8.8-B-Fe/Zn8 bolt	4	
16	PN-M-82008	Spring washer Z 12.2 Fe/Zn8	4	
17	PN-M-82144	Nut M12-8-B Fe/Zn8	4	

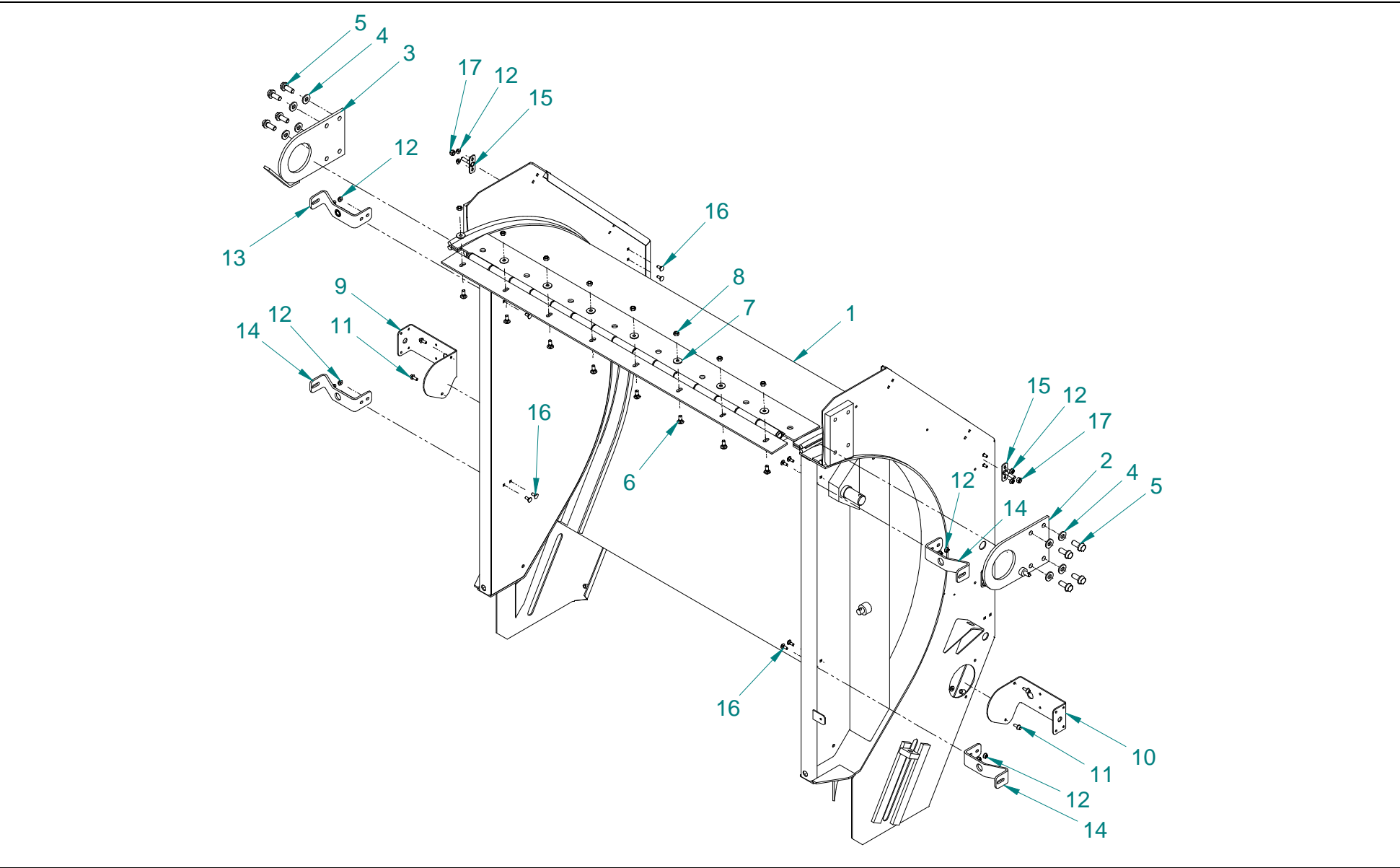
**Table 5 Main frame assembly, 5279-010-800.03 (SIPMA PS 1211 FARMA PLUS)**



**Main frame assembly, 5279-010-800.03 (SIPMA PS 1211 FARMA PLUS)****Table 5**

<b>No. in the Drawing</b>	<b>No. of diagram or standard</b>	<b>Name of part</b>	<b>Quantity</b>	<b>Comments</b>
1	5279-010-520.00	Adjustable drawbar assembly	1	Table 2
2	5276-010-640.00	Railing assembly	1	Table 3
3	5279-010-810.03	Main frame, welded	1	
4	PN-M-82105	M20x50-8.8-B-Fe/Zn8 bolt	4	
5	PN-M-82175	Self-locking nut M20-8-B-Fe/Zn8	4	
6	5279-010-600.00	Eye stud, welded	2	

**Table 6 Main frame assembly 5279-020-500.12 (SIPMA PS 1210 CLASSIC)**



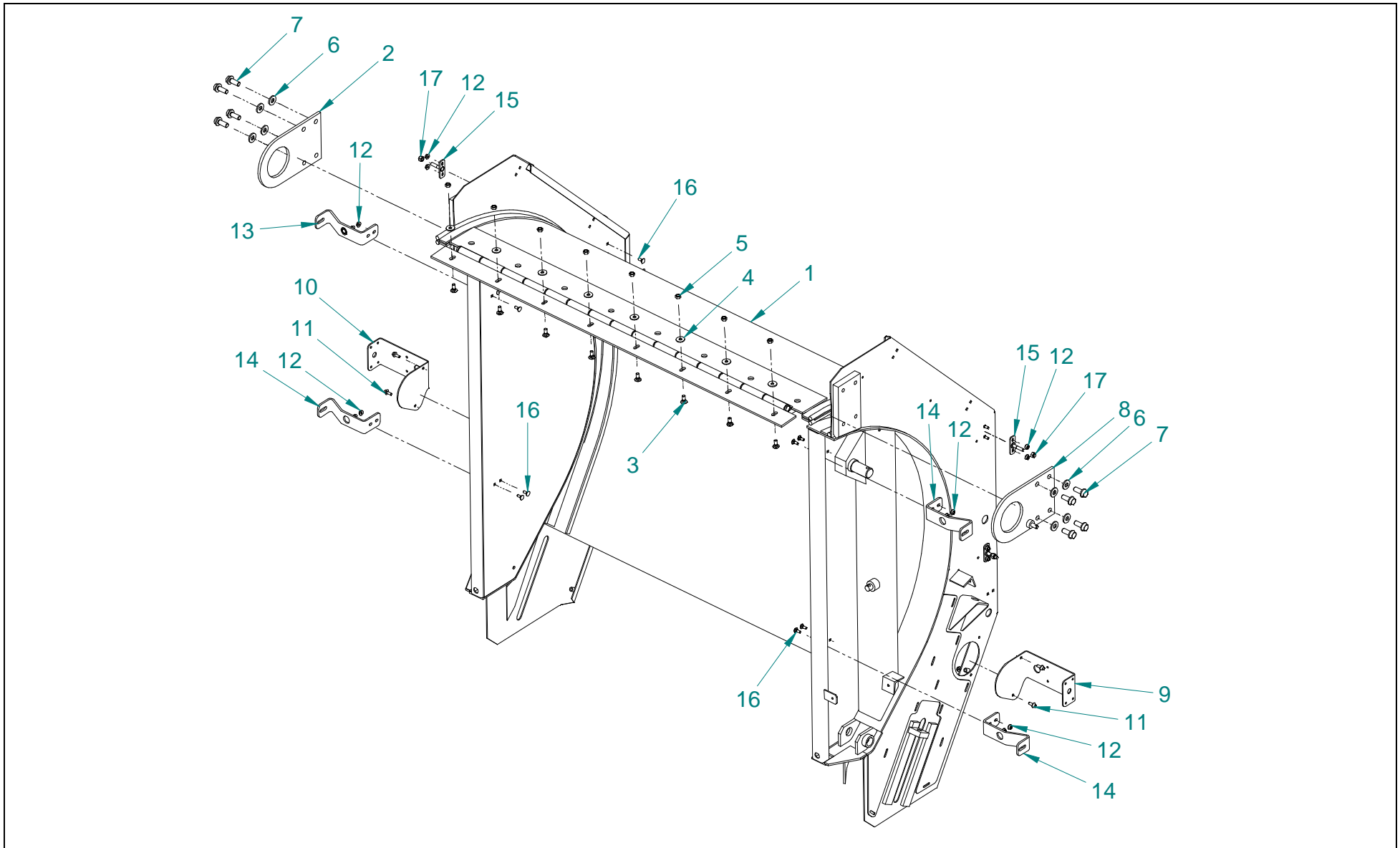


**Main frame assembly 5279-020-500.12 (SIPMA PS 1210 CLASSIC)**

**Table 6**

<b>No. in the Drawing</b>	<b>No. of diagram or standard</b>	<b>Name of part</b>	<b>Quantity</b>	<b>Comments</b>
1	5279-020-510.22	Rear frame, welded	1	
2	5279-020-540.00	Plate, welded	1	
3	5279-020-520.00	Plate, welded	1	
4	Bossard	Rip-lock washer, 12	8	
5	Bossard	M12x30 Verbus Ripp bolt	8	
6	PN-M-82406	M8x20-8.8-B-A3L bolt	8	
7	PN-EN ISO 7093-1	Washer 8 - A3L	8	
8	PN-EN ISO 4032	Nut M 8 - 8 - A3L	8	
9	5279-140-108.01	Lamp bracket, right	1	
10	5279-140-109.01	Lamp bracket, left	1	
11	PN-EN 1662	Bolt M6 x 16 - 8.8 - A3L	4	
12	TENSILOCK	Nut M6	20	
13	5295-150-680.00	Rear guard bracket, welded	1	
14	5295-150-121.00	Rear guard bracket	3	
15	5295-150-690.00	Guard lift rod	4	
16	PN-M-82406	M6x16-8.8-B-A3L bolt	16	
17	PN-EN ISO 7040	Self-locking nut M8 - 8 - A3L	4	

**Table 7 Rear frame assembly 5279-021-500.12 (SIPMA PS 1211 FARMA PLUS)**

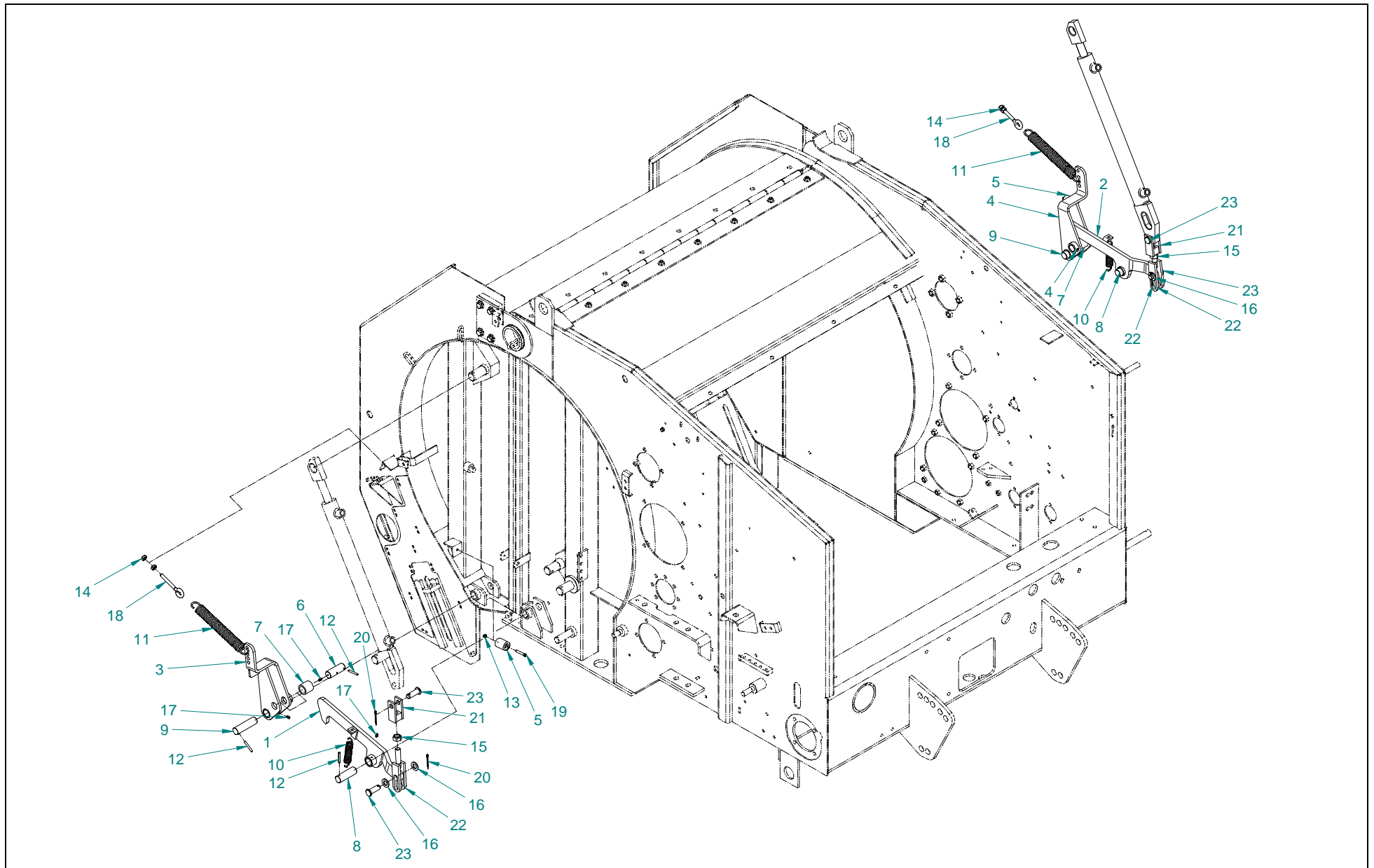


**Rear frame assembly 5279-021-500.12 (SIPMA PS 1211 FARMA PLUS)**

**Table 7**

<b>No. in the Drawing</b>	<b>No. of diagram or standard</b>	<b>Name of part</b>	<b>Quantity</b>	<b>Comments</b>
1	5279-021-510.12	Rear frame, welded (with mech. block)	1	
2	5279-021-520.10	Plate, welded	1	
3	PN-M-82406	M8x20-8.8-B-A3L bolt	8	
4	PN-EN ISO 7093-1	Washer 8 - A3L	8	
5	PN-EN ISO 4032	Nut M 8 - 8 - A3L	8	
6	Bossard	Rip-lock washer, 12	8	
7	Bossard	M12x30 Verbus Ripp bolt	8	
8	5279-020-540.00	Plate, welded	1	
9	5279-140-109.01	Lamp bracket, left	1	
10	5279-140-108.01	Lamp bracket, right	1	
11	PN-EN 1662	Bolt M6 x 16 - 8.8 - A3L	4	
12	TENSILOCK	Nut M6	20	
13	5295-150-680.00	Rear guard bracket, welded	1	
14	5295-150-121.00	Rear guard bracket	3	
15	5295-150-690.00	Guard lift rod	4	
16	PN-M-82406	M6x16-8.8-B-A3L bolt	16	
17	PN-EN ISO 7040	Self-locking nut M8 - 8 - A3L	4	

**Table 8 Mechanical lock assembly, 5279-021-600.00 (SIPMA PS 1211 FARMA PLUS)**

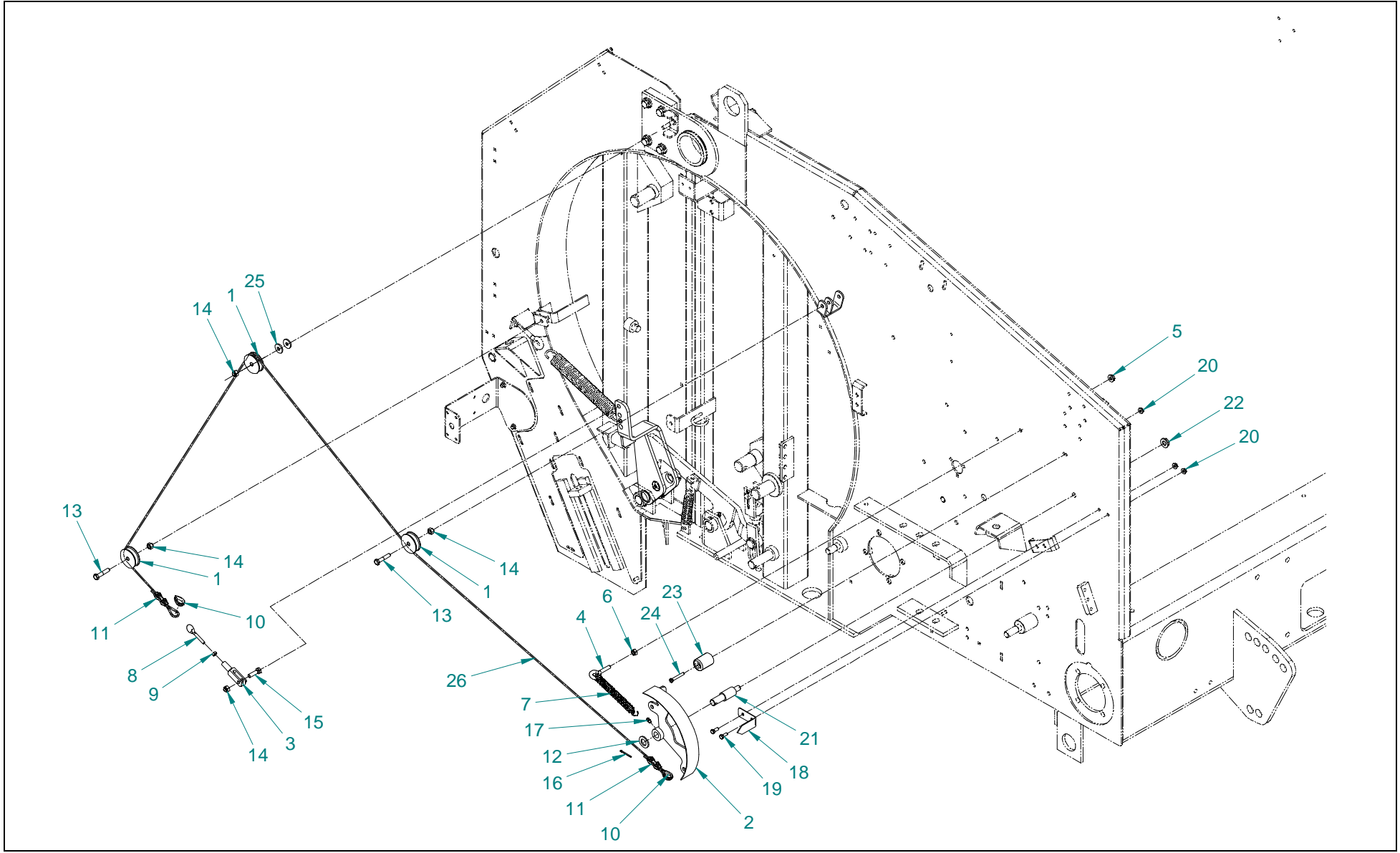


**Mechanical lock assembly, 5279-021-600.00 (SIPMA PS 1211 FARMA PLUS)**

**Table 8**

<b>No. in the Drawing</b>	<b>No. of diagram or standard</b>	<b>Name of part</b>	<b>Quantity</b>	<b>Comments</b>
1	5276-020-560.02	Right lock arm, welded	1	
2	5276-020-570.02	Left lock arm, welded	1	
3	5276-020-540.00	Right lever assembly, welded	1	
4	5276-020-550.00	Left lever assembly, welded	1	
5	2023-030-142.00	Bumper	2	
6	5276-020-131.00	Roller bolt	2	
7	5276-020-132.00	Roller	2	
8	5276-020-134.00	Arm bolt	2	
9	5276-020-133.00	Lever bolt	2	
10	089-000976-5.510	Tension spring	2	
11	5276-020-136.00	Spring	2	
12	PN-EN ISO 8752	Spring-type straight pin 5x40	6	
13	PN-M-82175	Self-locking nut M6-8-B Fe/Zn8	2	
14	PN-M-82144	M10-8-B-Fe/Zn8 nut	4	
15	PN-M-82144	M16-8-B Fe-Zn8 nut	2	
16	PN-EN ISO 7091	17 R3J Washer	4	
17	PN-M-86002	Grease nipple StM6x1	6	
18	BN-M-1902-26	CD M10x80 eye bolt	2	
19	PN-M-82215	M 6x40-5.8-A Fe-Zn8 screw	2	
20	PN-M-82001	Cotter pin S-Zn 4x32	4	
21	5276-020-580.00	Welded fork	2	
22	5276-020-590.01	Adjustable welded fork	2	
23	5276-020-135.00	B 16x45 pin	4	

**Table 9 Chamber filling indicator 5279-021-700.11 (SIPMA PS 1211 FARMA PLUS)**

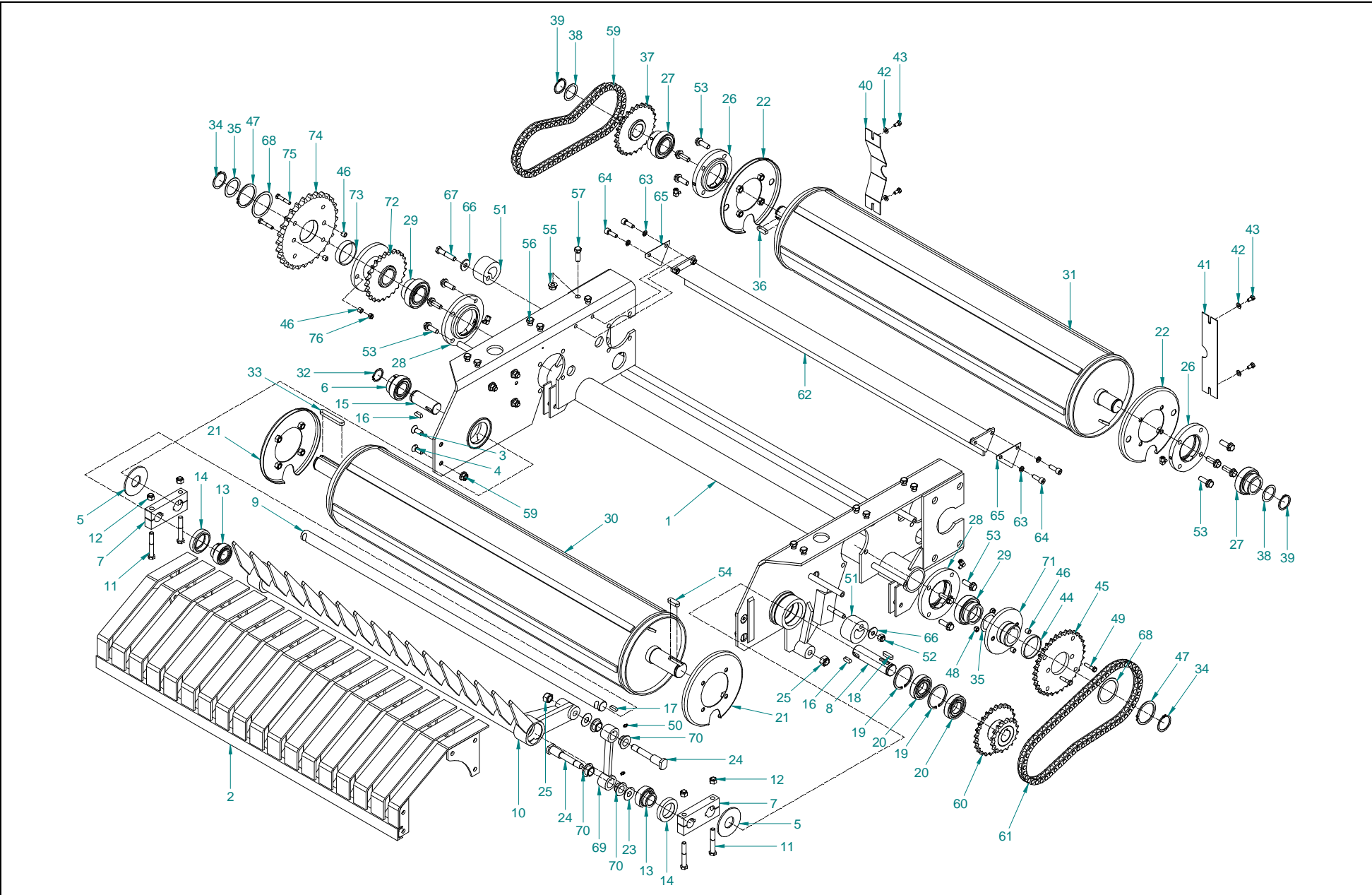


**Chamber filling indicator 5279-021-700.11 (SIPMA PS 1211 FARMA PLUS)**

**Table 9**

<b>No. in the Drawing</b>	<b>No. of diagram or standard</b>	<b>Name of part</b>	<b>Quantity</b>	<b>Comments</b>
1	5270-160-207.00	Disc	3	
2	5279-021-530.00	Filling indicator, welded	1	
3	5276-020-231.00	Fork	1	
4	BN-M-1902-26	CD M8x50 eye bolt	1	
5	TENSILOCK	Nut M8	1	
6	PN-EN ISO 4032	Nut M 8 - 8 - A3L	1	
7	5270-130-180.00	Spring	1	
8	BN-M-1902-26	CD M6x50 eye bolt	1	
9	PN-EN ISO 4032	Nut M 6 - 8 - A3L	1	
10	PN-M-80247	A4 thimble	2	
11	555.13.232	Cable clamp assy	2	
12	PN-EN ISO 7091	Washer 16 - A3L	1	
13	PN-EN ISO 4014	M 8 x 40 - 8.8 - A3L bolt	2	
14	PN-EN ISO 7040	Self-locking nut M8 - 8 - A3L	4	
15	PN-EN ISO 4017	M 8 x 30 - 8.8 - A3L bolt	1	
16	PN-EN ISO 1234	Cotter pin 3.2x28-St	1	
17	PN-M-86002	Grease nipple StM6x1	1	
18	5279-021-104.00	Indicator	1	
19	PN-EN ISO 4017	M 6 x 16 - 8.8 - A3L bolt	2	
20	TENSILOCK	Nut M6	3	
21	5279-021-101.00	Indicator bolt	1	
22	TENSILOCK	Nut M12	1	
23	2023-030-142.00	Bumper	1	
24	PN-EN ISO 1207	M6x40-5.8-A3L screw	1	
25	089-000709-1.082	Washer	2	
26	5279-020-232.00	Steel cable	1	

Table 10 Feeder and rollers assembly 5276-030-500.20





**Feeder and rollers assembly 5276-030-500.20**
**Table 10**

No. in the Drawing	No. of diagram or standard	Name of part	Quantity	Comments
1	5276-030-510.21	Feeder frame	1	
2	5276-030-550.00	Feeder table assembly, welded	1	
3	PN-EN ISO 10642	Socketed tapered screw 6k M12x30-10.9	2	
4	PN-M-82207	M12x30-8.8-B Fe-Zn8 screw	8	
5	5270-030-213.01	Spacer	2	
6	PN-M-86120	Self-aligning bearing D 207	1	
7	5276-030-209.00	Drive arm	2	
8	5270-030-211.01	Drive shaft	1	
9	5276-030-202.00	Transverse roller	1	
10	5276-030-520.00	Fork assy, welded	1	
11	PN-M-82101	M12x80-10.9-B Fe/Zn 8 bolt	4	
12	PN-M-82175	Self-locking nut M12-10-B Fe/Zn8	4	
13	PN-M-86120	Self-aligning bearing D 206	2	
14	5276-030-214.00	Shielding ring	2	
15	5270-030-210.00	Fork roller	1	
16	PN-M-85005	Prismatic inlet A10x8x25	2	
17	PN-M-85005	Prismatic inlet A8x7x25	2	
18	PN-M-85005	Prismatic inlet A10x8x36	1	
19	PN-M-85111	Circlip W 72	2	
20	PN-M-86100	Bearing 6207-2RS	2	
21	5276-030-610.01	Disc I, welded	2	
22	5276-030-640.00	Disc II, welded	2	
23	5276-030-219.00	Plain washer	2	
24	5270-030-218.00	Special bolt	2	
25	PN-EN ISO 7040	Self-locking nut M16-8-B R3J	2	
26	5270-080-001.10	ME 08 housing	2	

**Feeder and rollers assembly 5276-030-500.20**

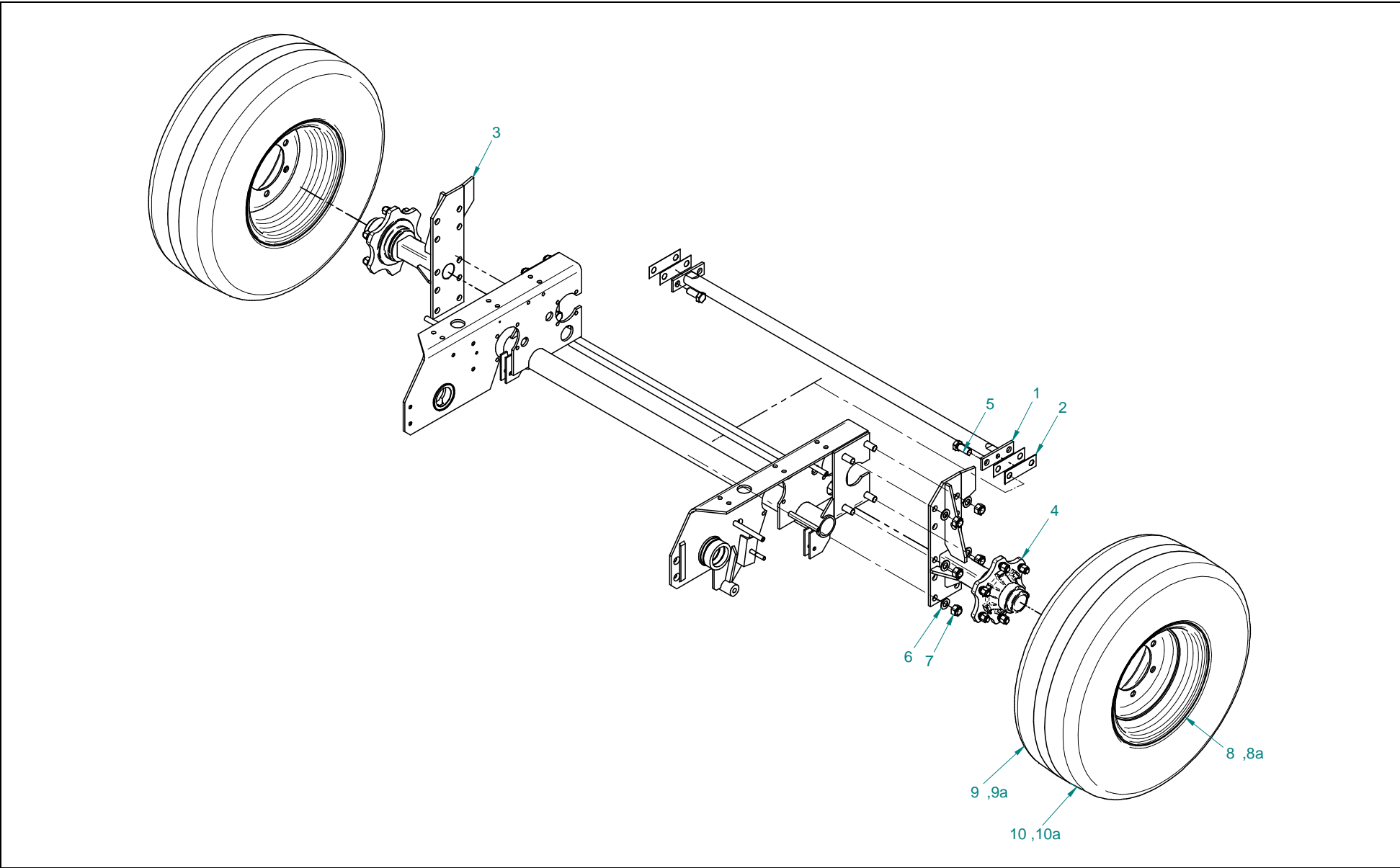
**Table 10**

<b>No. in the Drawing</b>	<b>No. of diagram or standard</b>	<b>Name of part</b>	<b>Quantity</b>	<b>Comments</b>
27	PN-M-86120	Self-aligning bearing FD 208	2	
28	5270-070-001.01	ME 09 housing (INA)	2	
29	PN-M-86120	Self-aligning bearing FD 209	2	
30	5276-030-620.05	Roller I, welded	1	
31	5276-030-630.02	Roller II, welded	1	
32	PN-M-85111	Circlip Z 35	2	
33	PN-M-85005	Prismatic inlet A14x9x90	1	
34	PN-M-85111	Circlip Z 45	2	
35	5270-070-171.00	Washer	4	
36	PN-M-85005	Prismatic inlet A12x8x36	1	
37	5276-030-570.01	Hub II, welded	1	
38	5261-050-137.00	Spacer	7	
39	PN-M-85111	Circlip Z 40	2	
40	5270-030-223.01	Right cover	1	
41	5270-030-224.02	Left cover	1	
42	PN-M-82005	Washer 8.4	4	
43	PN-M-82101	M8x16-8.8-B-Fe/Zn8 bolt	4	
44	5276-030-217.00	Bronze bushing II	1	
45	5276-030-208.00	Wheel z=32	1	
46	5270-030-178.02	Bushing I	8	
47	PN-M-85111	Circlip Z 65	2	
48	PN-M-82175	Self-locking nut M8-8-B Fe/Zn8	2	
49	PN-M-82101	M8x35-8.8-B-Fe/Zn8 bolt	2	
50	PN-M-86002	Grease nipple StM6x1	2	
51	2010-060-144.00	Tension roller	2	
52	PN-M-82175	Self-locking nut M12-8-B R3J	1	

**Feeder and rollers assembly 5276-030-500.20**
**Table 10**

No. in the Drawing	No. of diagram or standard	Name of part	Quantity	Comments
53		M12x35 Verbus Ripp bolt	16	
54	PN-M-85005	Prismatic inlet A14x9x40	1	
55	DIN 6927	Self-locking nut M12-8-B-Fe-Zn8	12	
56	PN-M-82105	M12x40-8.8-B-Fe/Zn8 bolt	4	
57	PN-M-82105	Bolt M12x35-8.8-B Fe/Zn8	8	
58	~DIN 6923	Serrated collar nut M12	8	
59	PN-M-84168	Chain 12B-54 PS-reinf.	1	
60	5276-200-700.00	Double wheel II	1	
61	PN-M-84168	Chain 12B-60 PS-reinf.	1	
62	5276-030-690.01	Protective T-bar assy, welded	1	
63	PN-M-85008	Spring washer Z 10.2 Fe/Zn8	4	
64	PN-M-82302	Bolt M10x30-8.8-B	4	
65	5276-030-233.01	Spacer	2	
66	PN-M-82030	Round washer 13 Fe/Zn8	2	
67	PN-M-82101	M12x60-8.8-B-Fe-Zn8 bolt	1	
68	5276-030-205.00	Washer I	2	
69	5270-030-580.00	Yoke	1	
70	5270-030-140.00	Bushing	4	
71	5276-030-660.01	Hub III	1	
72	5276-030-650.10	Hub I	1	
73		Bushing POZ 6515	1	
74	5279-030-100.00	Wheel z=28 - 1"	1	
75	PN-EN ISO 4014	M 8 x 45 - 8.8 - R3J bolt	2	
76	PN-EN ISO 7040	Self-locking nut M8 - 8 - R3J	2	

Table 11 Vehicle wheels assembly 5276-040-500.03

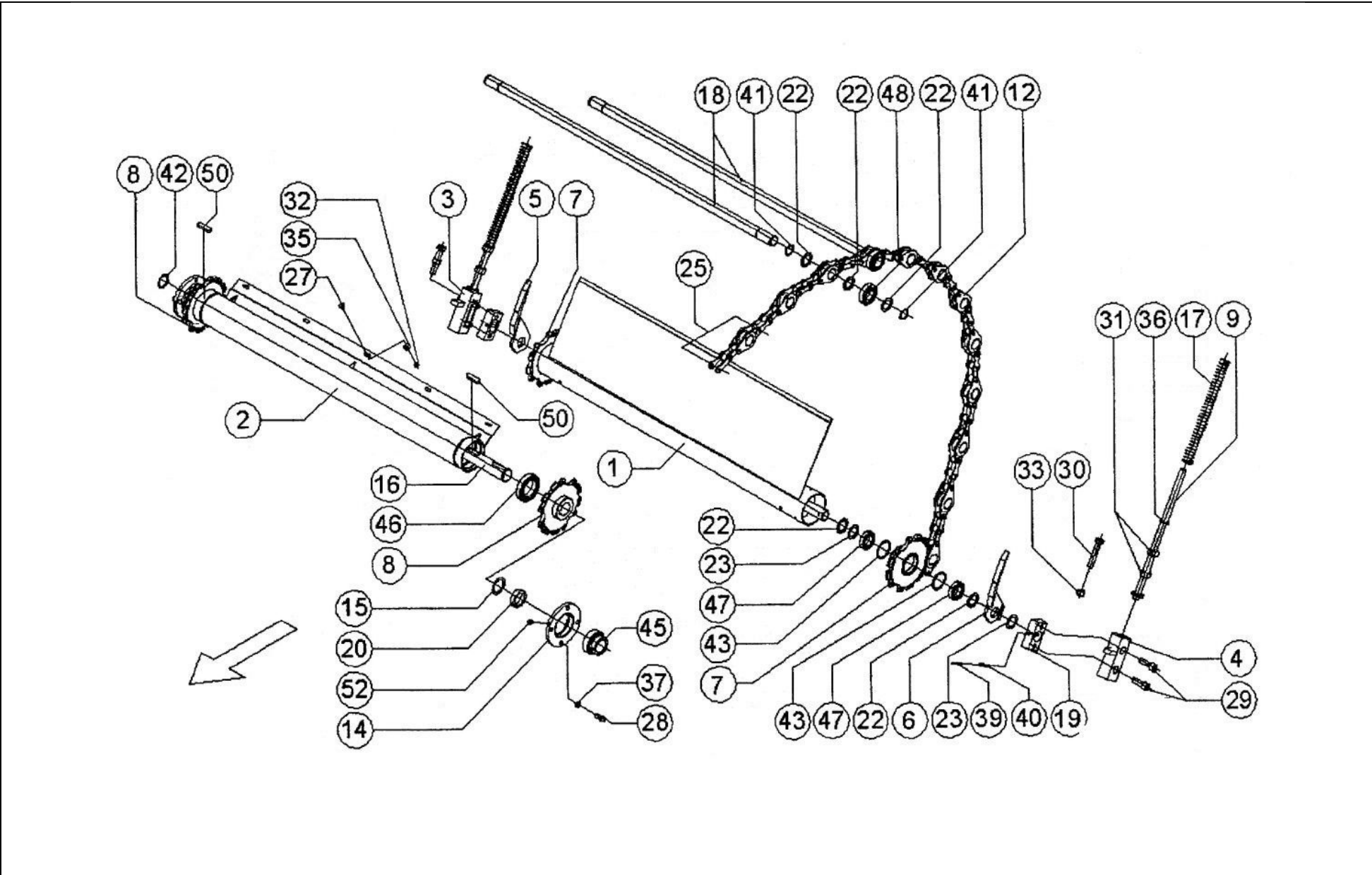


**Vehicle wheels assembly 5276-040-500.03**

**Table 11**

<b>No. in the Drawing</b>	<b>No. of diagram or standard</b>	<b>Name of part</b>	<b>Quantity</b>	<b>Comments</b>
1	5276-040-580.00	Rigidifying bar, welded	1	
2	5276-040-183.00	Washer	5	
3	5276-040-550.10	Right axle shaft, welded	1	
4	5276-040-560.10	Left axle shaft, welded	1	
5	PN-M-82105	M20x50-8.8-B-Fe/Zn8 bolt	10	
6	PN-EN 28738	Washer 20	10	
7	PN-M-82175	Self-locking nut M20-8-B-Fe/Zn8	10	
8	Rim, 9.00 x 15.3		2	
9	Tire, 11.5/80-15.3 14PR		2	
10	Tyre tube, 11.5/80-15.3		2	
8a	Rim, 13x15,5		2	Upon request
9a	Tire, 400/60-15.5		2	Upon request
10a	Tyre tube, 400/60-15.5		2	Upon request

Table 12 Baling unit 5279-070-500.01



**Baling unit 5279-070-500.01**

**Table 12**

<b>No. in the Drawing</b>	<b>No. of diagram or standard</b>	<b>Name of part</b>	<b>Quantity</b>	<b>Comments</b>
1	5270-070-550.00	Welded tube	1	
2	5270-070-560.00	Tube with mountings	1	
3	5270-070-570.01	Welded body, right	1	
4	5270-070-580.01	Welded body, left	1	
5	5270-070-590.01	Welded guide, right	1	
6	5270-070-600.01	Welded guide, left	1	
7	5270-070-620.00	Welded wheel I	2	
8	5270-070-630.01	Welded wheel II	2	
9	5270-070-970.10	Welded guide	2	
12	5269-070-750.00	Baling link chain, CA650-128	2	
14	5270-70-001.01	ME 09 housing	2	
15	5270-070-171.00	Washer	as needed	
16	5270-070-177.01	Drive shaft	1	
17	5270-070-178.00	Spring	2	
18	5270-070-179.01	Chain roller	32	
19	5270-070-180.00	Body	2	
20	5270-070-181.00	Spacer bushing	2	
22	5270-070-183.00	Washer	198	
23	5270-070-184.00	Washer	as needed	
25	5270-070-200.00	Link of the baling chain CA650-5PZ2		Only for spare parts
27	PN-M-82406	M8x20-5.8-B-Fe/Zn8 bolt	5	

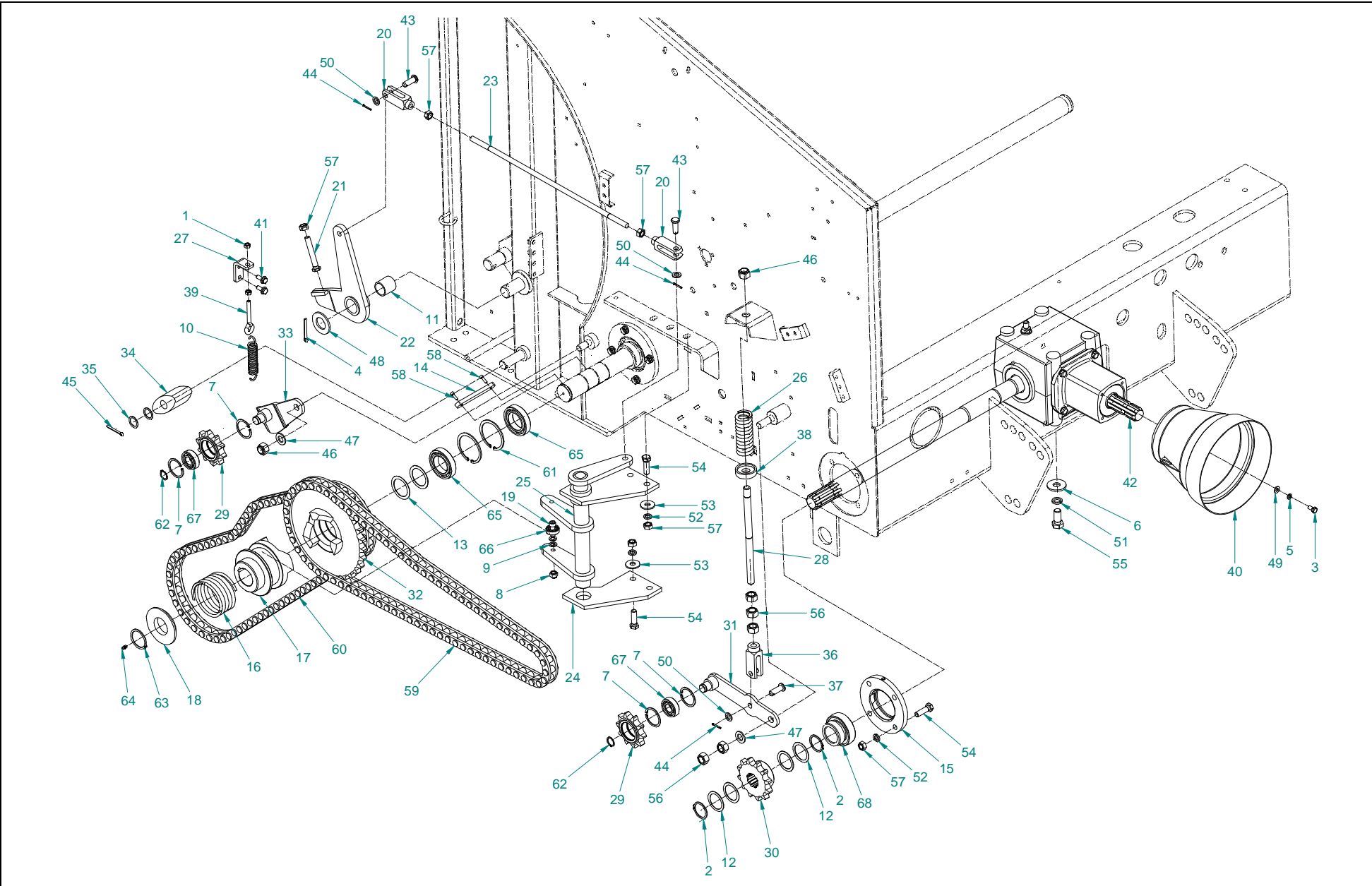
**Baling unit 5279-070-500.01**

**Table 12**

<b>No. in the Drawing</b>	<b>No. of diagram or standard</b>	<b>Name of part</b>	<b>Quantity</b>	<b>Comments</b>
28	PN-M-82105	M12x30-8.8-B-Fe/Zn8 bolt	8	
29	PN-M-82302	M16x50-8.8-B-Fe/Zn8 bolt	4	
30	PN-M-82105	M16x90-8.8-B-Fe/Zn8 bolt	2	
31	PN-M-82144	Nut M20-8-B-Fe/Zn8	4	
32	PN-M-82144	Nut M8-8-B-Fe/Zn8	5	
33	PN-M-82144	Nut M16-8-B-Fe/Zn8	2	
35	PN-M-82005	Washer 8.4 Fe/Zn8	5	
36	PN-M-82004	Washer 20 Fe/Zn8	2	
37	PN-M-82008	Spring washer Z 12.2 Fe/Zn8	8	
39	PN-M-85023	Spring pin 5x50	2	
40	PN-M-85023	Spring pin 8x50	2	
41	PN-M--85111	Circlip Z 35	128	
42	PN-M--85111	Circlip Z 45	1	
43	PN-M--85111	Circlip W 62	4	
45	PN-M-62120	Ball bearing (for baling) FD 209	2	
46	PN-M-86100	Bearing 6012 2RS	2	
47	PN-M-86100	Bearing 6007 2RS	4	
48		Bearings K6207 2RSR	64	
50	PN-M-85005	Prismatic inlet A 14x9x56	2	
52	PN-M-86002	Grease nipple St M6x1	2	



Table 13 Main drive assembly 5279-080-500.20



**Main drive assembly 5279-080-500.20**

**Table 13**

No. in the Drawing	No. of diagram or standard	Name of part	Quantity	Comments
1	PN-M-82144	Nut M8-8-B-Fe/Zn8	2	
2	PN-M-85111	Circlip Z 38	2	
3	PN-M-82105	M8x16-8.8-B-Fe/Zn8 bolt	4	
4	PN-EN ISO 1234	Cotter pin, 6.3x 50-St	1	
5	PN-M-82008	Spring washer Z 8.2 Fe/Zn8	4	
6	PN-EN ISO 7091	Round washer 17	4	
7	PN-M-85111	Circlip W 47	4	
8	PN-M-82175	Self-locking nut M10-8-B- R3J	2	
9	089-000710-0.120	Washer	4	
10	089-000976-5.510	Tension spring	1	
11	5223-120-119.00	Bearing sleeve	1	
12	5261-050-137.00	Spacer	4	
13	5270-070-171.00	Washer	7	
14	5270-070-182.00	Hyphen	1	
15	5270-080-001.10	ME 08 housing	1	
16	5270-080-101.00	Clutch spring	1	
17	5270-080-102.02	Active disc	1	
18	5270-080-105.00	Retaining disc	1	
19	5270-080-108.00	Special bolt	2	
20	5270-080-112.01	Fork M12-48	2	
21	5270-080-115.00	Bumper	1	
22	5270-080-550.00	Lever I, welded	1	
23	5276-080-100.01	Tension rod	1	
24	5276-080-106.10	Lower lever support	1	

**Main drive assembly 5279-080-500.20**

**Table 13**

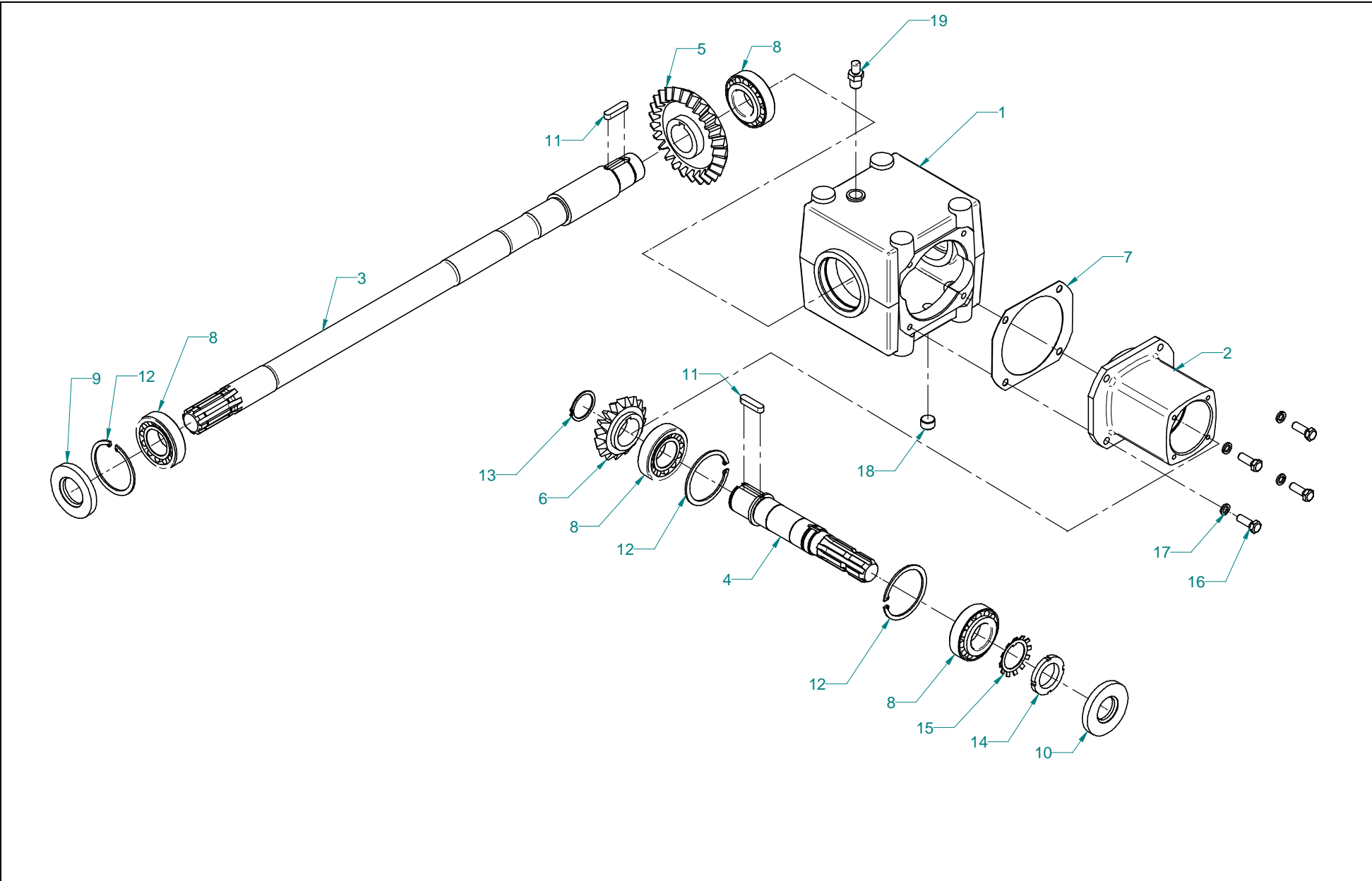
No. in the Drawing	No. of diagram or standard	Name of part	Quantity	Comments
25	5276-080-530.00	Arm assy	1	
26	5279-080-101.00	Tensioner spring	1	
27	5279-080-103.00	Tensioner bracket	1	
28	5279-080-105.00	Tension rod	1	
29	5279-080-108.00	Wheel z=10 - 1"	2	
30	5279-080-109.00	Wheel z=12-1"	1	
31	5279-080-520.00	Welded lever	1	
32	5279-080-530.00	Clutch hub assy	1	
33	5279-080-590.10	Lever III assy	1	
34	5599-040-132.00	Chain tensioner	1	
35	5599-040-133.00	Washer 22.5x30x1.5	2	
36	5600-080-135.00	Fork M16x48	1	
37	5600-080-138.00	Pin - 12	1	
38	5600-080-245.00	Bushing	1	
39	BN-M-1902-26	CD M8x80 eye bolt	1	
40		Guard 41703	1	
41		M8x20 Verbus Ripp bolt	2	
42	PK 01M 00-00	Gearbox PK 01M	1	
43	PN-EN 22341	Pin B-12x35x30-St	2	
44	PN-EN ISO 1234	Cotter pin 3.2x20-St	3	
45	PN-EN ISO 1234	Cotter pin 5x40-St	1	
46	PN-EN ISO 7040	Self-locking nut M16-8-B R3J	2	
47	PN-M-82005	Washer 17	4	
48	PN-M-82005	Washer 31	1	

**Main drive assembly 5279-080-500.20**

**Table 13**

<b>No. in the Drawing</b>	<b>No. of diagram or standard</b>	<b>Name of part</b>	<b>Quantity</b>	<b>Comments</b>
49	PN-EN ISO 7093-1	Washer	4	
50	PN-M-82007	Washer 13 C Fe-Zn8	3	
51	PN-M-82008	Spring washer Z 16.3 Fe/Zn8	4	
52	PN-M-82008	Spring washer Z 12.2 Fe/Zn8	12	
53	PN-M-82030	Round washer 13 Fe/Zn8	5	
54	PN-M-82105	M12x40-8.8-B-Fe/Zn8 bolt	9	
55	PN-M-82105	Bolt M16x35-8.8-B	4	
56	PN-M-82144	Nut M16-8-B	5	
57	PN-M-82144	Nut M12-8-B Fe/Zn8	12	
58	PN-M-82302	Bolt M 5x16-8,8-B	2	
59	PN-M-84168	Chain 16B 76 PZ	1	
60	PN-M-84168	Chain 16B 74 PZ	1	
61	PN-M-85111	Circlip W 75	2	
62	PN-M-85111	Circlip Z 20	2	
63	PN-M-85111	Circlip Z 45	1	
64	PN-M-86002	Grease nipple StM6x1	1	
65	PN-M-86100	Bearing 6009-2RS	2	
66	PN-M-86100	Bearing 6002-2RS	2	
67	PN-M-86100	Bearing 6204-2RS	2	
68	PN-M-86120	Self-aligning bearing FD 208	1	

Table 14 Gearbox PK 01M 00-00

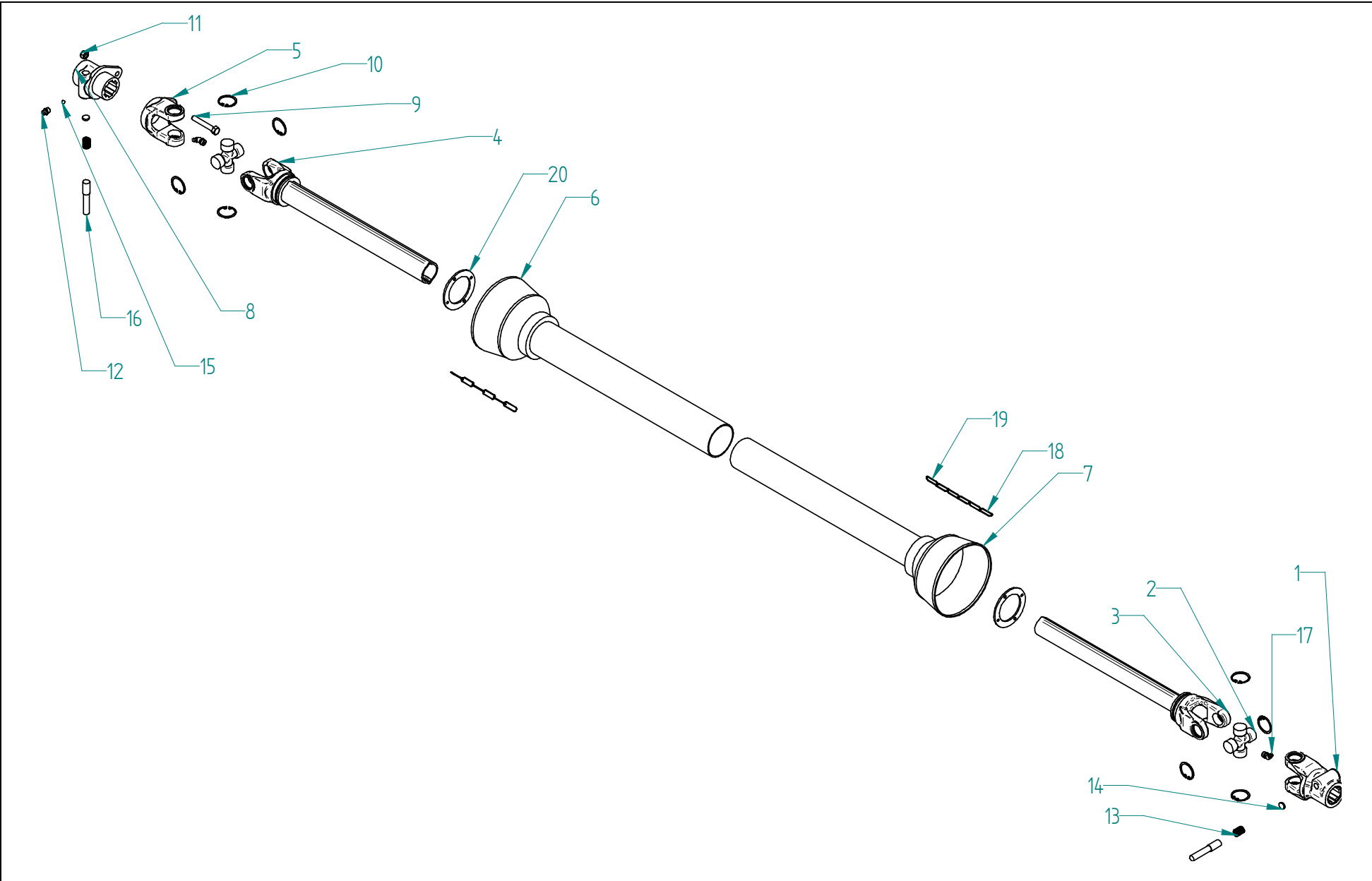


**Gearbox PK 01M 00-00**

**Table 14**

<b>No. in the Drawing</b>	<b>No. of diagram or standard</b>	<b>Name of part</b>	<b>Quantity</b>	<b>Comments</b>
1	PK 01M 00-01A	Body	1	
2	PK01M00-02A	Bearing housing	1	
3	PK 01 06	Output shaft	1	
4	PK 01 07	Input shaft	1	
5	R-16	Sprocket z26	1	
6	R-15	Sprocket z16	1	
7	PK 01M 00-07	Adjusting washer	1	
8	PN-M-86220	Bearing 32208	4	
9		Seal ring A40x80x10	1	
10		Seal ring A35x80x10	1	
11	PN-M-85005	Prismatic inlet A10x8x42	2	
12	PN-M-85111	Circlip W 80	3	
13	PN-M-85111	Circlip Z 40	1	
14	PN-M-86478	Nut KM 8	1	
15	PN-M-86482	Washer MB 8	1	
16	PN-M-82105	Bolt M10x30-8.8-B Fe/Zn8	4	
17	PN-M-82008	Spring washer Z 10.2 Fe/Zn8	4	
18	BN-73-0644-03	Drain plug Stb1/2"	1	
19	MB 06-00.01	Bleeding valve	1	

**Table 15 PTO shaft 60960/602.K600/4**



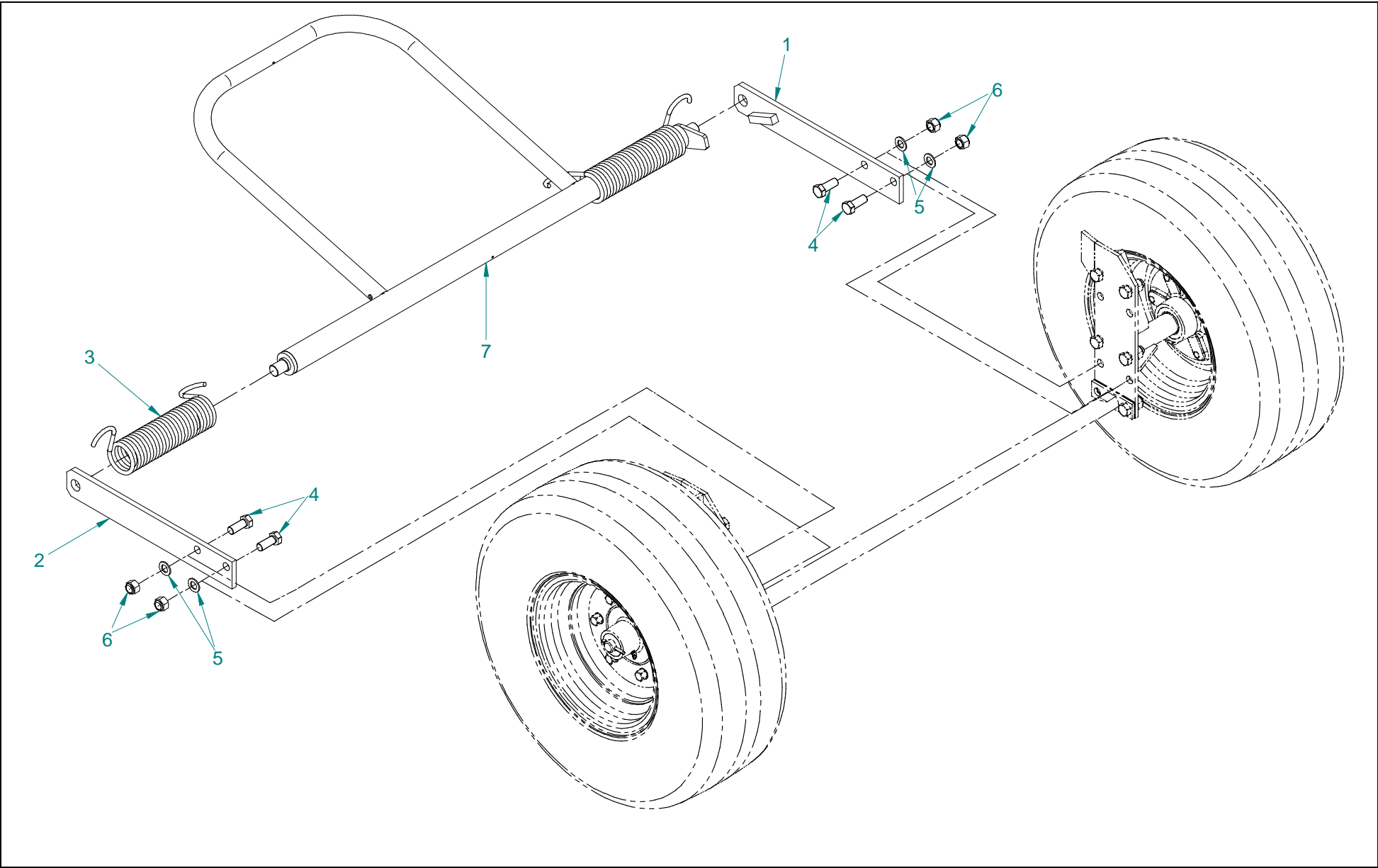
**PTO shaft 60960/602.K600/4**

**Table 15**

<b>No. in the Drawing</b>	<b>No. of diagram or standard</b>	<b>Name of part</b>	<b>Quantity</b>	<b>Comments</b>
1	60210/01.01.201	Tube yoke I	1	
2	60210/01.04.000	Spider and bearings assy	2	
3	5276-060-680.00	Tube yoke with shaft	1	
4	5276-060-530.00	Tube yoke with sleeve	1	
5	60910-02.01.201	Clutch yoke	1	
6	5276-060-700.00	Cone with inner tube	1	
7	5276-060-690.00	Cone with outer shielding tube assy	1	
8	60910-02.01.202	Clutch hub	1	
9	PN-M-82105	Bolt M 8x55-8.8-B-Fe/Zn8	1	
10	PN-M-85111	Circlip W 32	8	
11	PN-M-82175	Self-locking nut M8-8-B Fe/Zn8	1	
12	PN-M-86002	Grease nipple M10x1	1	
13	0737/01-01-202	Push spring	2	
14	30220-010-108.00	Stopper	2	
15	PN-M-86452	Bead 6.747-40	1	
16	30210-010-107.00	Lock pin	2	
17	PN-M-86003	Grease nipple StB 1/8"x45	2	
18	0733/03-00-000	Chain assy	2	
19	0737/03-00-001	Hyphen	2	
20	50210/01-00-002	Slip ring	2	



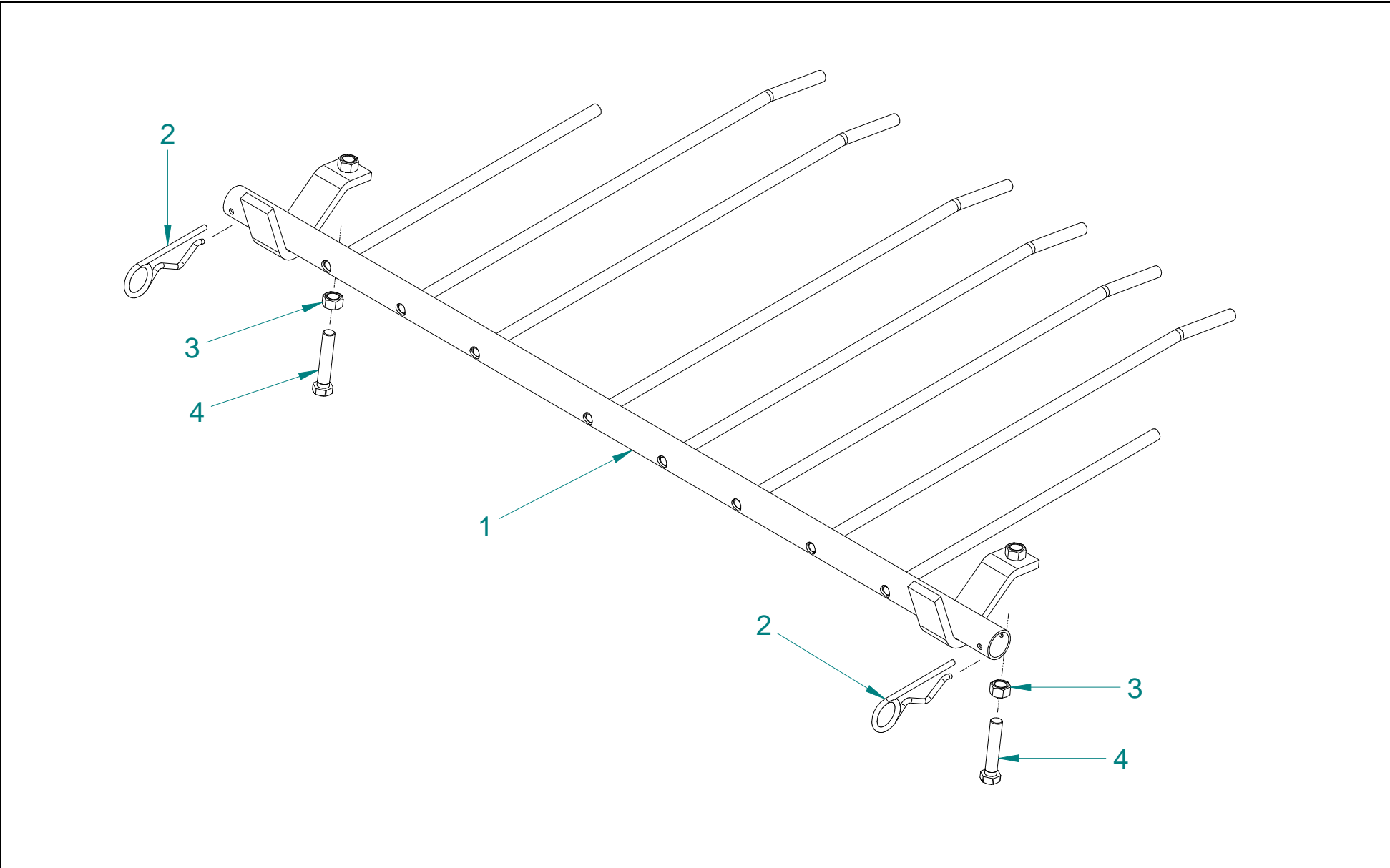
**Table 16 Bale chute assy 5276-090-600.02**



**Bale chute assy 5276-090-600.02****Table 16**

<b>No. in the Drawing</b>	<b>No. of diagram or standard</b>	<b>Name of part</b>	<b>Quantity</b>	<b>Comments</b>
1	5276-090-610.30	Left flat, welded	1	
2	5276-090-100.10	Flat	1	
3	5276-090-106.00	Right chute spring, par.	1	
4	PN-M-82105	M20x50-8.8-B-Fe/Zn8 bolt	4	
5	PN-M-82005	Washer 21	4	
6	PN-M-82175	Self-locking nut M20-8-B-Fe/Zn8	4	
7	5276-090-620.40	Bale chute welded	1	

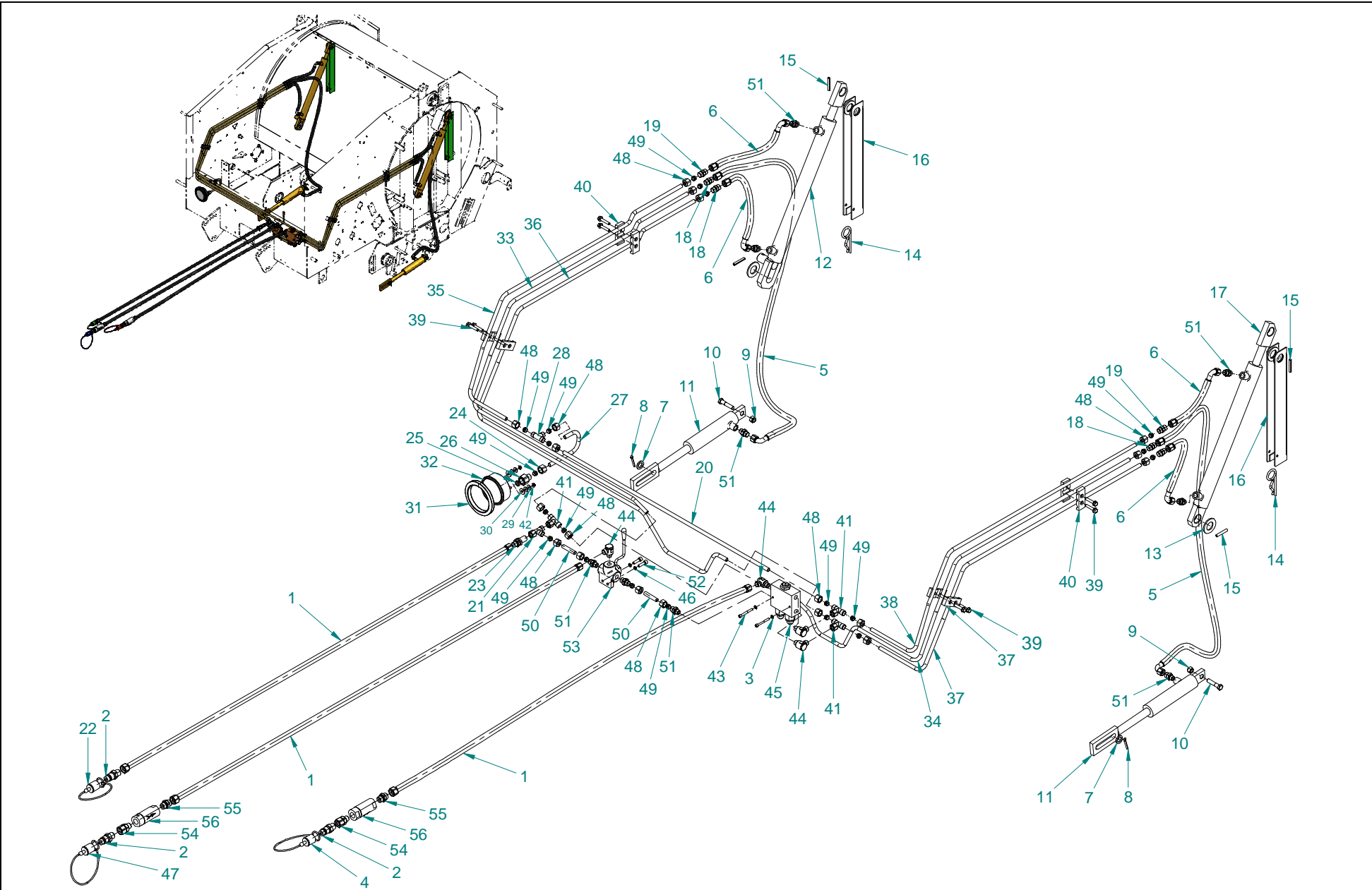
**Table 17 Grate assembly 5276-110-600.00**



**Grate assembly 5276-110-600.00****Table 17**

<b>No. in the Drawing</b>	<b>No. of diagram or standard</b>	<b>Name of part</b>	<b>Quantity</b>	<b>Comments</b>
1	5276-110-610.00	Grate assy, welded	1	
2	5270-110-102.00	Cotter pin	2	
3	PN-M-82144	Nut M16-8-B –Fe/Zn8	2	
4	PN-M-82105	Bolt M16x80-8.8-B –Fe/Zn8	2	

Table 18 Hydraulic system 5279-120-500.10 (SIPMA PS 1210 CLASSIC)



**Hydraulic system 5279-120-500.10 (SIPMA PS 1210 CLASSIC)**

**Table 18**

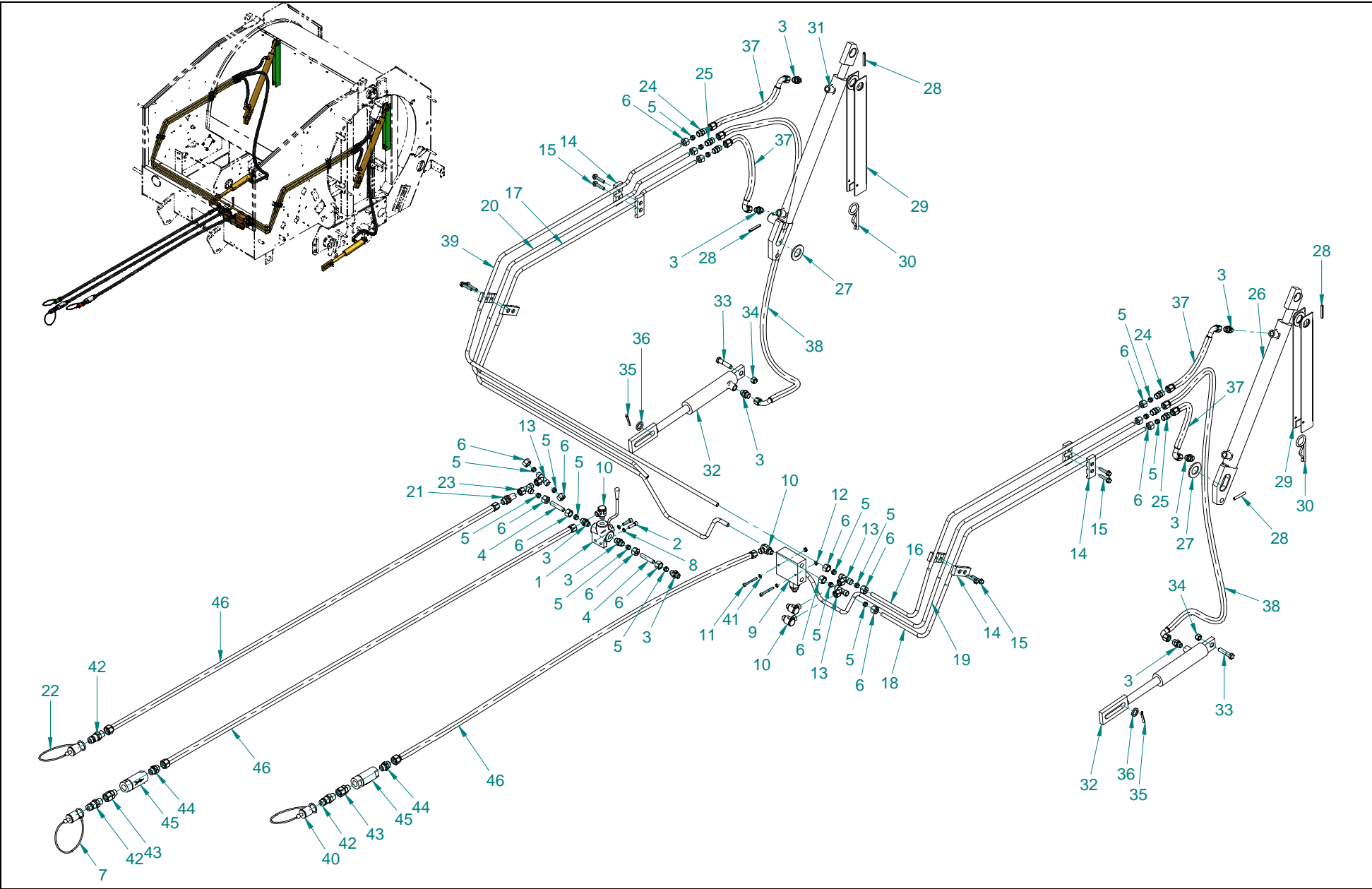
No. in the Drawing	No. of diagram or standard	Name of part	Quantity	Comments
1		Hose 2000mm M18x1.5/M22x1.5	3	with O-ring
2	CNV 08 0/2215M	Quick release coupling connector M22x1.5	3	
3	PN-M-82005	Washer 6,4-Fe/Zn8	2	
4	TF 12 R	Connector cover (red)	1	
5		Hose 1400mm M18x1.5/M18x1.5 - 90°	2	with O-ring
6		Hose 350mm M18x1.5/M18x1.5 - 90°	4	with O-ring
7	PN-EN 28738	Washer 20	2	
8	PN-EN ISO 1234	Cotter pin, 6.3x 40-St	2	
9	PN-M-82175	Self-locking nut M12-8-B Fe/Zn8	2	
10	PN-M-82101	Bolt M12x55-8.8-B Fe/Zn8	2	
11	5270-100-530.00	Pickup actuator assy	2	
12	5279-070-520.00	Hydr. cylinder with piston CJ-S15-40-25-400	1	
13	PN-M-82005	Washer 31	2	
14	PN-ISO 7072	Cotter pin 6x115-Fe-Zn8	2	
15	PN-M-85023	Spring-type straight pin 8x50	4	
16	5269-070-610.01	Protection element, welded	2	
17	5279-070-510.00	Hydr. cylinder with piston CJ-S14-40-25-400	1	
18	5276-120-109.00	Straight coupling M18x1.5 with gland	4	
19	A501111-12-12	Straight coupling M18x1.5	2	
20	5276-120-105.10	Centre hose	1	
21	A721115-12-18	Asymmetrical adjustable tee M18x1.5	1	
22	TF 12 V	Plug cover (green)	1	
23	A501177-12-12	Straight bulkhead coupling M18x1.5	1	
24	A431200-12-20	Washer M20x1.5	1	
25	5270-120-117.11	Pressure gauge seal	1	
26	A521253-12-08	Manometric coupling 1/2" - M20x1.5	1	
27	5276-120-106.10	Manometer line	1	
28	A701111-12-12	T-coupling M18x1.5	1	

**Hydraulic system 5279-120-500.10 (SIPMA PS 1210 CLASSIC)**

**Table 18**

No. in the Drawing	No. of diagram or standard	Name of part	Quantity	Comments
29	PN-M-82030	Round washer 6.5 Fe/Zn8	4	
30	PN-M-82030	Round washer 8.5 Fe/Zn8	2	
31	5276-120-125.00	Grommet	1	
32	5270-120-530.01	Pressure gauge assy M100-T/20G/P100.95	1	
33	5279-120-104.10	Pickup hose, right	1	
34	5279-220-100.10	Pickup hose, left	1	
35	5279-120-108.00	Right top hose	1	
36	5279-120-103.10	Right bottom hose	1	
37	5279-120-131.10	Left bottom hose	1	
38	5279-120-101.10	Left top hose	1	
39	PN-M-82247	Bolt N-U M 8x40-8.8	8	
40	5276-120-133.00	Triple clamp	8	
41	A711115-12-18	Symmetrical adjustable T-coupling M18x1.5	3	
42	PN-M-82168	Nut M6-8	4	
43	PN-M-82302	Bolt M6x55-8.8-B	2	
44	A521103-12-06	Banjo connector 3/8"	4	
45	5270-120-510.01	Hydraulic valve ZP-3-00 assy	1	
46	PN-M-82008	Spring washer Z 8.2 Fe/Zn8	2	
47	TF 12 B	Plug cover (blue)	1	
48	A431100-12-18	Nut M18x1.5	19	
49	A421100-12-18B4	Cutting ring	20	
50	5276-120-107.00	Valves' hose	2	
51	A501106-12-06	Straight connector 3/8" - M18x1.5	9	
52	PN-M-82302	Bolt M 8x30-8.8-B-Fe/Zn8	2	
53	5276-120-520.00	Hydraulic manifold RT-1/1	1	
54	A520615-08-15	Straight adjustable connector 1/2" - M22x1.5	2	
55	A501106-15-08	Straight connector 1/2" - M22x1.5	2	
56	5270-120-540.00	Hydraulic filter FH-160 16.00-40-G1 2	2	

Table 19 Hydraulic system 5279-120-800.10 (SIPMA PS 1211 FARMA PLUS)





**Hydraulic system 5279-120-800.10 (SIPMA PS 1211 FARMA PLUS)**

**Table 19**

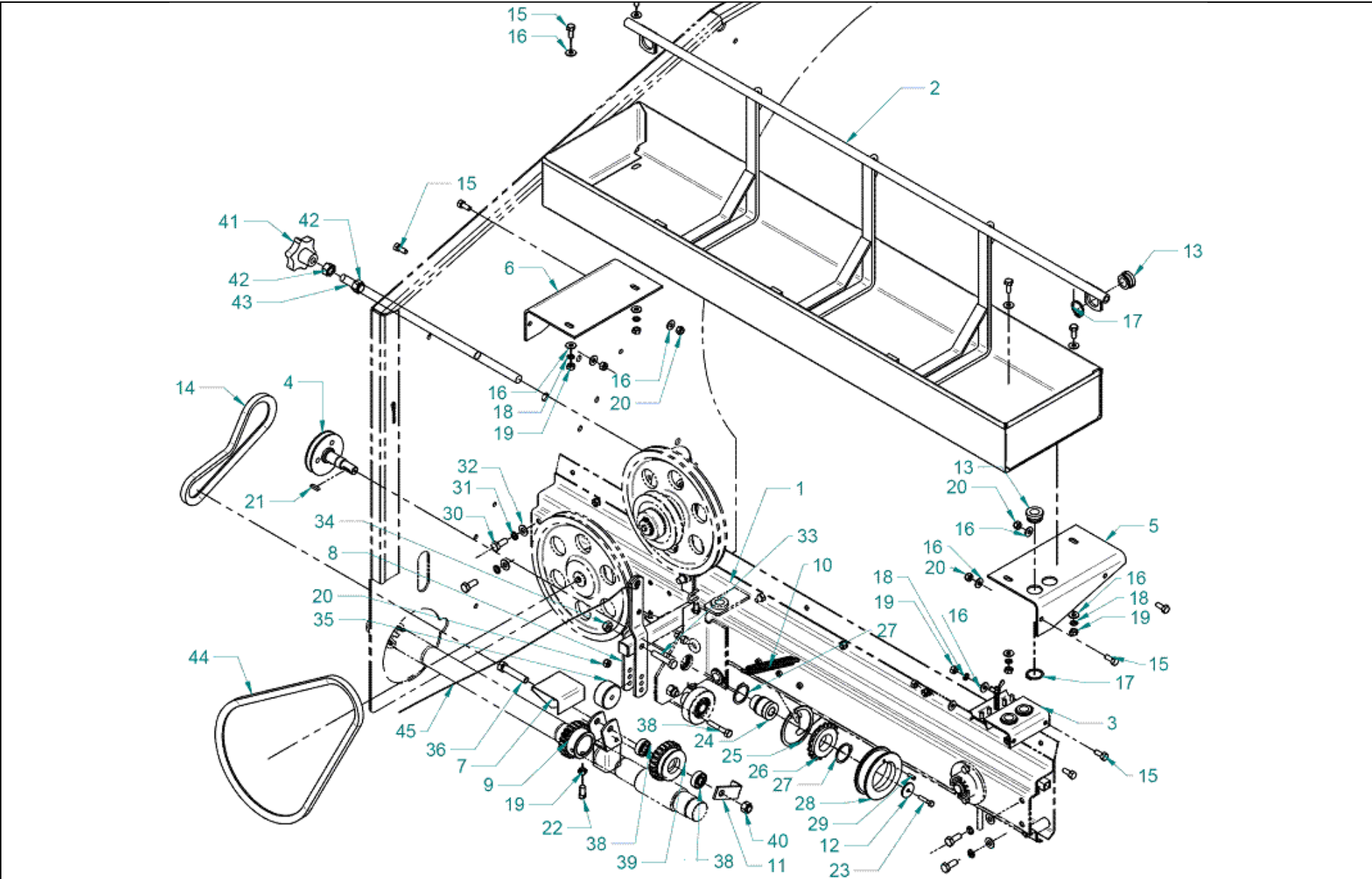
<b>No. in the Drawing</b>	<b>No. of diagram or standard</b>	<b>Name of part</b>	<b>Quantity</b>	<b>Comments</b>
1	5276-120-520.00	Hydraulic manifold RT-1/1	1	
2	PN-M-82302	Bolt M 8x30-8.8-B-Fe/Zn8	2	
3	A501106-12-06	Straight connector 3/8" - M18x1.5	9	
4	5276-120-107.00	Valves' hose	2	
5	A421100-12-18B4	Cutting ring	16	
6	A431100-12-18	Nut M18x1.5	16	
7	TF 12 B	Plug cover (blue)	1	
8	PN-M-82008	Spring washer Z 8.2 Fe/Zn8	2	
9	5569-120-510.01	Hydraulic valve ZP-9-00 assy	1	
10	A521103-12-06	Banjo connector 3/8"	4	
11	PN-M-82302	Bolt M6x55-8.8-B	2	
12	PN-M-82168	Nut M6-8	2	
13	A711115-12-18	Symmetrical adjustable T-coupling M18x1.5	3	
14	5276-120-133.00	Triple clamp	8	
15	PN-M-82247	Bolt N-U M 8x40-8.8	8	
16	5279-120-101.10	Left top hose	1	
17	5279-120-103.10	Right bottom hose	1	
18	5279-120-131.10	Left bottom hose	1	
19	5279-220-100.10	Pickup hose, left	1	
20	5279-120-104.10	Pickup hose, right	1	
21	A501177-12-12	Straight bulkhead coupling M18x1.5	1	
22	TF 12 V	Plug cover (green)	1	
23	A721115-12-18	Asymmetrical adjustable tee M18x1.5	1	
24	A501111-12-12	Straight coupling M18x1.5	2	

**Hydraulic system 5279-120-800.10 (SIPMA PS 1211 FARMA PLUS)**

**Table 19**

<b>No. in the Drawing</b>	<b>No. of diagram or standard</b>	<b>Name of part</b>	<b>Quantity</b>	<b>Comments</b>
25	5276-120-109.00	Straight coupling M18x1.5 with gland	4	
26	5279-070-810.00	Hydraulic cylinder with piston CJ-S 40-25-400	1	
27	PN-M-82005	Washer 31	2	
28	PN-M-85023	Spring-type straight pin 8x50	4	
29	5269-070-610.01	Protection element, welded	2	
30	PN-ISO 7072	Cotter pin 6x115-Fe-Zn8	2	
31	5279-070-820.00	Hydraulic cylinder with piston CJ-S 40-25-400	1	
32	5270-100-530.00	Pickup actuator assy	2	
33	PN-M-82101	Bolt M12x55-8.8-B Fe/Zn8	2	
34	PN-M-82175	Self-locking nut M12-8-B Fe/Zn8	2	
35	PN-EN ISO 1234	Cotter pin, 6.3x 40-St	2	
36	PN-EN 28738	Washer 20	2	
37		Hose 350mm M18x1.5/M18x1.5 - 90°	4	with O-ring
38		Hose 1400mm M18x1.5/M18x1.5 - 90°	2	with O-ring
39	5279-120-102.10	Right top hose	1	
40	TF 12 R	Connector cover (red)	1	
41	PN-M-82005	Washer 6,4-Fe/Zn8	2	
42	CNV 08 0/2215M	Quick release coupling connector M22x1.5	3	
43	A520615-08-15	Straight adjustable connector 1/2" - M22x1.5	2	
44	A501106-15-08	Straight connector 1/2" - M22x1.5	2	
45	5270-120-540.00	Hydraulic filter FH-160 16.00-40-G1 2	2	
46		Hose 2000mm M18x1.5/M22x1.5	3	with O-ring

**Table 20 Twine-wrapping unit (mechanical control) 5279-131-500.00**



**Twine-wrapping unit (mechanical control) 5279-131-500.00**

**Table 20**

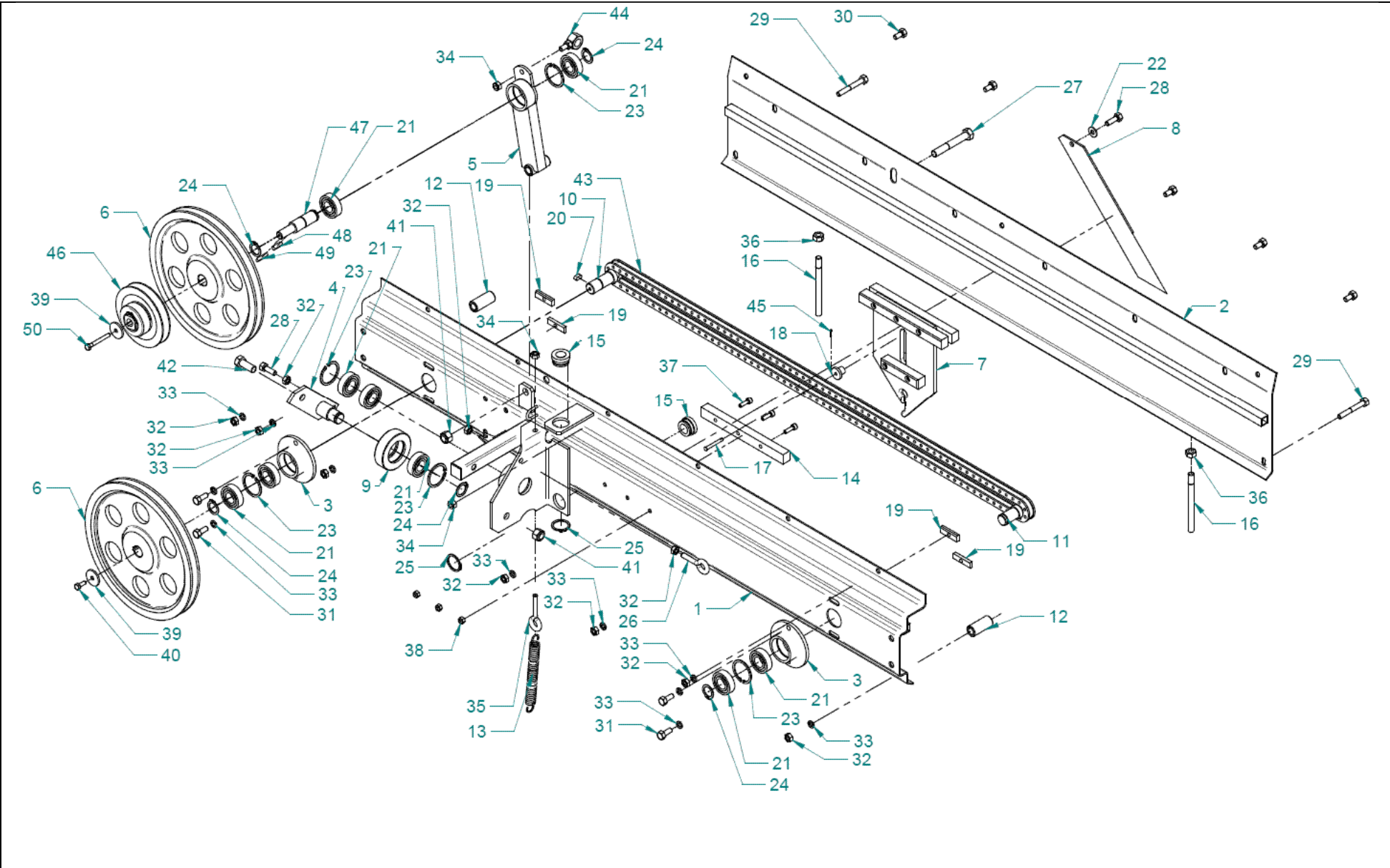
<b>No. in the Drawing</b>	<b>No. of diagram or standard</b>	<b>Name of part</b>	<b>Quantity</b>	<b>Comments</b>
1		Twine-wrapping unit assembly	1	
2	5270-130-520.11	Twine magazine assy	1	
3	5270-131-670.00	Brake assembly	1	
4	5270-130-580.01	Drive shaft	1	
5	5270-131-184.00	Magazine bracket, left	1	
6	5270-131-185.00	Magazine bracket, right	1	
7	5276-130-209.10	Guard	1	
8	5270-130-610.02	Tensioner lever assy, welded	1	
9	5270-130-161.00	Drive sprocket z22	1	
10	5270-130-180.00	Spring	1	
11	5270-130-179.00	Angle bar	1	
12	5270-130-194.00	Plain washer	1	
13	5270-130-181.00	Grommet	2	
14	ZN-89/MP-G/Sa-42	V-belt SPZ 612 /Ls/	1	
15	PN-M-82105	Bolt M8x20-8.8-B Fe/Zn8	10	
16	PN-M-82005	Washer 8.4 Fe/Zn8	14	
17	PN-M-85111	Circlip Z-28	2	
18	PN-M-82008	Spring washer Z8.2 Fe/Zn8	6	
19	PN-M-82144	Nut M8-8-B Fe/Zn8	7	
20	PN-M-82175	Self-locking nut M8-8-B Fe/Zn8	5	
21	PN-M-85005	Prismatic inlet Ax5x5x20	1	
22	PN-M-82305	Bolt M8x20-8.8-B Fe/Zn8	1	
23	PN-M-82105	Bolt M6x30-8.8-B Fe/Zn8	1	
24	5270-130-173.00	Freewheel hub	1	

**Twine-wrapping unit (mechanical control) 5279-131-500.00**

**Table 20**

<b>No. in the Drawing</b>	<b>No. of diagram or standard</b>	<b>Name of part</b>	<b>Quantity</b>	<b>Comments</b>
25	PN-M-85111	Circlip W-80	1	
26	5270-130-190.10	Single-row freewheel Z 18	1	
27	PN-M-85111	Circlip Z-35	2	
28	5270-130-176.10	Roller	1	
29	PN-M-85023	Spring pin 6x16	1	
30	PN-M-82105	Bolt M10x25-8.8-B Fe/Zn8	4	
31	PN-M-82008	Washer Z10.2 Fe/Zn8	4	
32	PN-M-82005	Washer 10.5 Fe/Zn8	4	
33	PN-M-82105	Bolt M10x50-8.8-B Fe/Zn8	1	
34	PN-M-82175	Self-locking nut M10-8-B Fe/Zn8	1	
35	5270-130-169.00	Roller	1	
36	PN-M-82105	Bolt M12x60-8.8-B Fe/Zn8	1	
37	PN-M-82105	Bolt M8x50-8.8-B Fe/Zn8	1	
38	PN-M-86100	Bearing 6201 2RS	2	
39	5270-130-162.01	Sprocket z 24	1	
40	PN-M-82175	Self-locking nut M12-8-B Fe/Zn8	1	
41		Knob $\Phi$ 70-M14	1	
42	PN-M-82144	Nut M14-8-B Fe/Zn8	2	
43	5270-130-172.00	Bolt	1	
44	PN-M-85200/06	V-belt A1120	1	
45	5261-260-107.00	Control cable	1	

Table 21 Twine-wrapping unit assembly



**Twine-wrapping unit assembly**

**Table 21**

<b>No. in the Drawing</b>	<b>No. of diagram or standard</b>	<b>Name of part</b>	<b>Quantity</b>	<b>Comments</b>
1	5270-130-530.00	Front frame	1	
2	5270-130-540.01	Rear sheet metal assy, welded	1	
3	5270-130-630.00	Hub assy, welded	2	
4	5270-130-550.00	Roller tensioner	1	
5	5270-130-560.00	Pulley arm assy, welded	1	
6	5270-130-163.01	Belt pulley D <sub>p</sub> 250	2	
7		Twine guide assy	1	
8	5270-130-166.02	Twine knife	1	
9	5270-130-175.00	Roller	1	
10	5270-130-178.00	Roller, right	1	
11	5270-130-177.00	Roller, left	1	
12	5270-130-140.00	Spacer bushing	2	
13	5270-130-180.00	Spring	1	
14	5270-130-167.00	Guide, long	1	
15	5270-130-181.00	Grommet	2	
16	5270-130-128.00	Rod	2	
17	5270-130-191.00	Chain pin	1	
18	5270-130-170.00	Bushing	1	
19	5270-130-189.01	Plate	4	
20	PN-M-85005	Prismatic inlet A6x6x14	1	
21	PN-M-86100	Bearing 6004 2RS	9	
22	PN-M-82005	Washer 8.4 Fe/Zn8	1	
23	PN-M-85111	Circlip W-42	5	
24	PN-M-85111	Circlip Z-20	5	
25	PN-M-85111	Circlip Z-28	2	
26	BN-76/1902-26	Eye bolt CD M8x50	1	

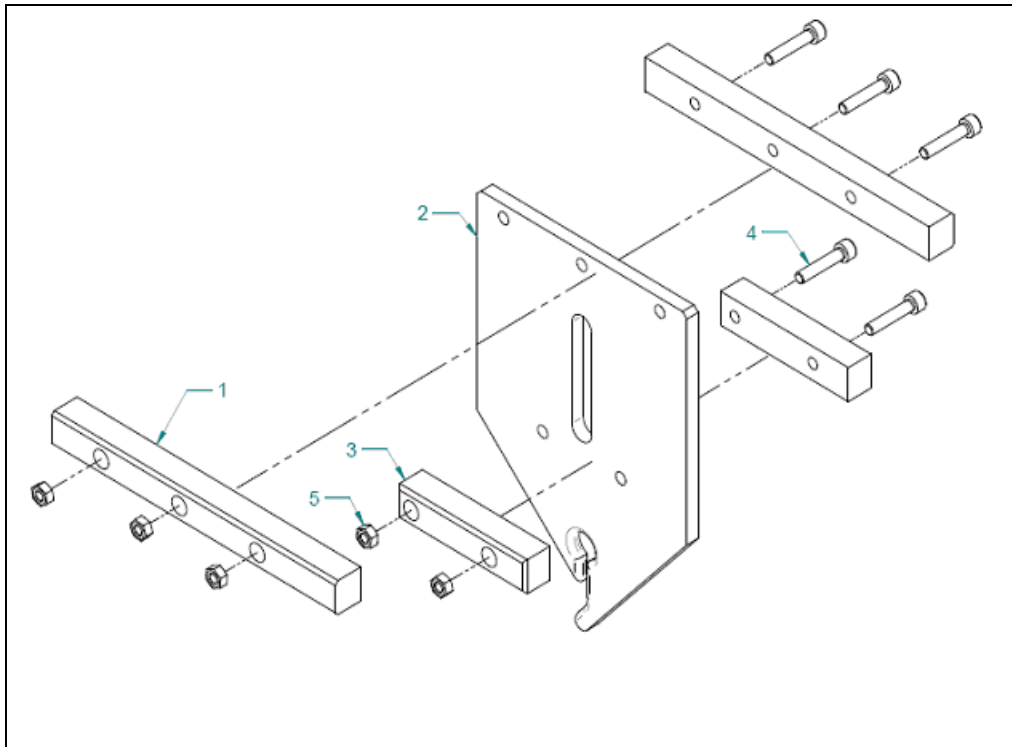
**Twine-wrapping unit assembly**

**Table 21**

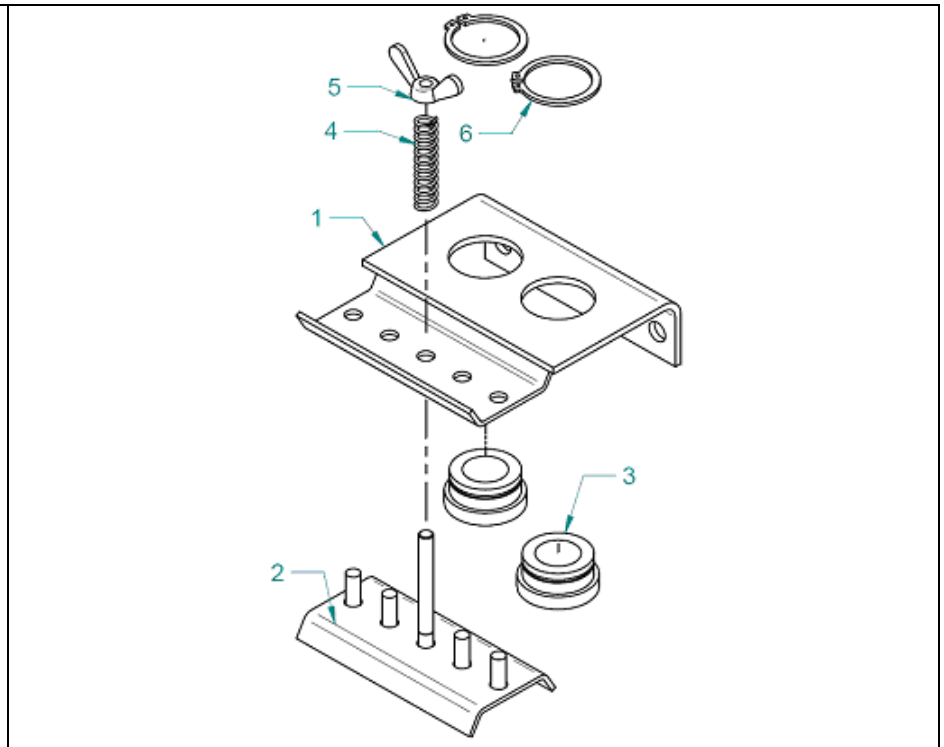
<b>No. in the Drawing</b>	<b>No. of diagram or standard</b>	<b>Name of part</b>	<b>Quantity</b>	<b>Comments</b>
27	PN-M-82101	Bolt M12x80-8.8-B Fe/Zn8	1	
28	PN-M-82105	Bolt M8x25-8.8-B Fe/Zn8	2	
29	PN-M-82105	Bolt M8x60-8.8-B Fe/Zn8	2	
30	PN-M-82105	Bolt M8x16-8.8-B Fe/Zn8	5	
31	PN-M-82105	Bolt M8x20-8.8-B Fe/Zn8	4	
32	PN-M-82144	Nut M8-8-B Fe/Zn8	11	
33	PN-M-82008	Spring washer Z8.2 Fe/Zn8	11	
34	PN-M-82175	Self-locking nut M8-8-B Fe/Zn8	3	
35	BN-76/1902-26	Eye bolt CD M8x60	1	
36	PN-M-82144	Nut M10-8-B Fe/Zn8	2	
37	PN-M-82302	Bolt M6x20-8.8-B Fe/Zn8	3	
38	PN-M-82175	Self-locking nut M6-8-B Fe/Zn8	3	
39	5270-130-194.00	Plain washer	2	
40	PN-M-82105	Bolt M6x16-8.8-B Fe/Zn8	1	
41	PN-M-82175	Self-locking nut M12-8-B Fe/Zn8	2	
42	PN-M-82105	Bolt M12x30-8.8-B Fe/Zn8	1	
43	PN-M-84168	Chain 10B-130-PS	1	
44	5270-130-620.00	Nut assy, welded	1	
45	PN-M-82001	Cotter pin S-Zn 2x10	1	
46	5270-130-660.00	Variator assy	1	
47	5270-130-174.00	Roller	1	
48	PN-M-85005	Prismatic inlet A6x6x20	1	
49	PN-M-85005	Prismatic inlet A5x5x25	1	
50	PN-M-82105	Bolt M6x50-8.8-B Fe/Zn8	1	



**Table 22 Twine guide assy**



**Table 23 Twine brake assembly 5270-131-670.00**



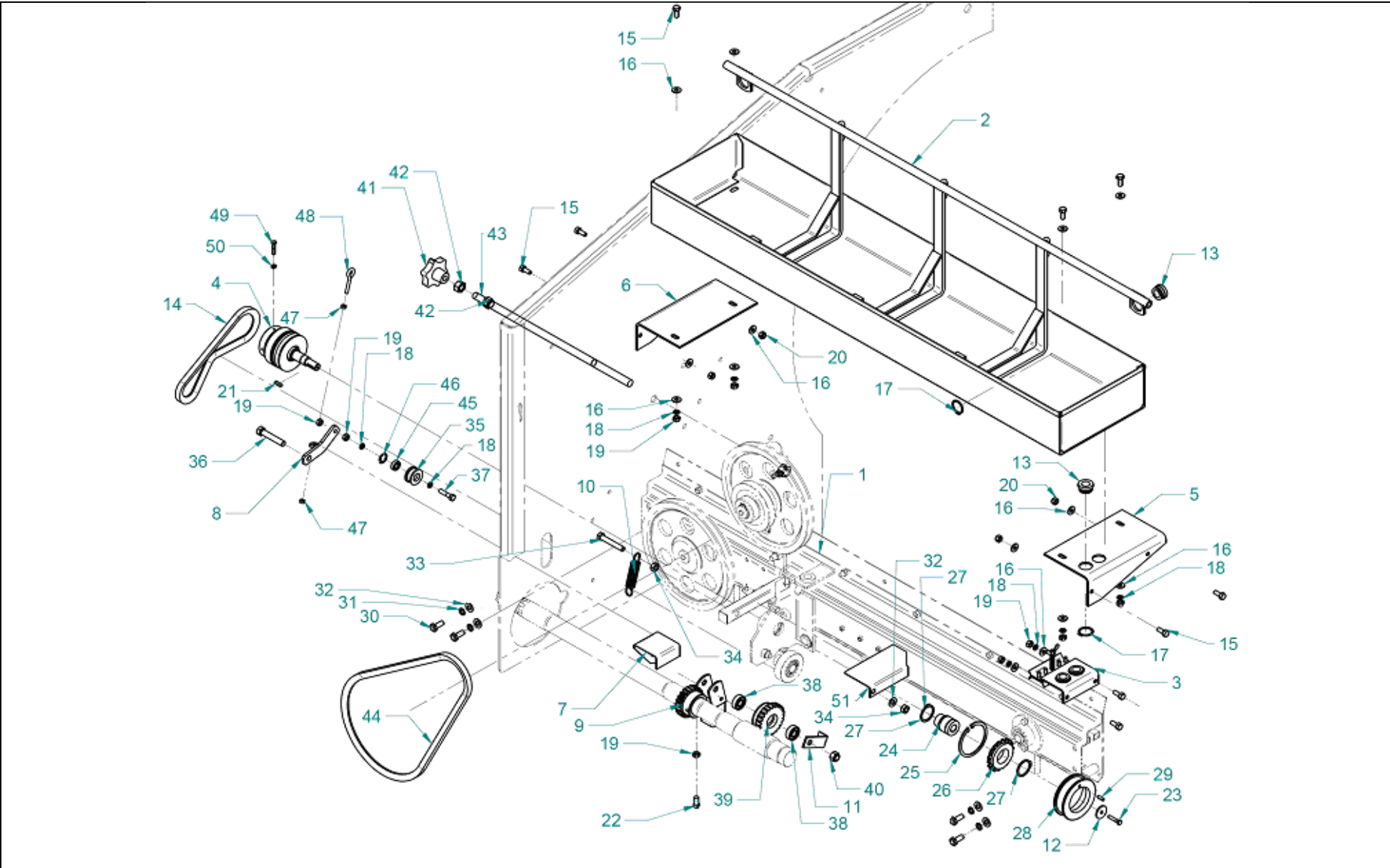
**Twine guide assy****Table 22**

<b>No. in the Drawing</b>	<b>No. of diagram or standard</b>	<b>Name of part</b>	<b>Quantity</b>	<b>Comments</b>
1	5270-130-167.00	Guide, long	2	
2	5270-130-161.01	Twine guide	1	
3	5270-130-168.00	Guide, short	2	
4	PN-M-82302	Bolt M6x30-8.8-B Fe/Zn8	5	
5	PN-M-82144	Nut M6-8-B-Fe/Zn8	5	

**Twine brake assembly 5270-131-670.00****Table 23**

<b>No. in the Drawing</b>	<b>No. of diagram or standard</b>	<b>Name of part</b>	<b>Quantity</b>	<b>Comments</b>
1	5270-131-680.00	Brake assembly, welded	1	
2	5270-130-650.00	Top plate, welded	1	
3	5270-130-181.00	Grommet	2	
4	089-000975-3.811	Spring	1	
5	PN-M-82439	Butterfly nut M6-5-Fe/Zn8	1	
6	PN-M-85111	Circlip Z-28	2	

Table 24 Twine-wrapping unit (electrical control) 5279-132-500.00



**Twine-wrapping unit (electrical control) 5279-132-500.00**

**Table 24**

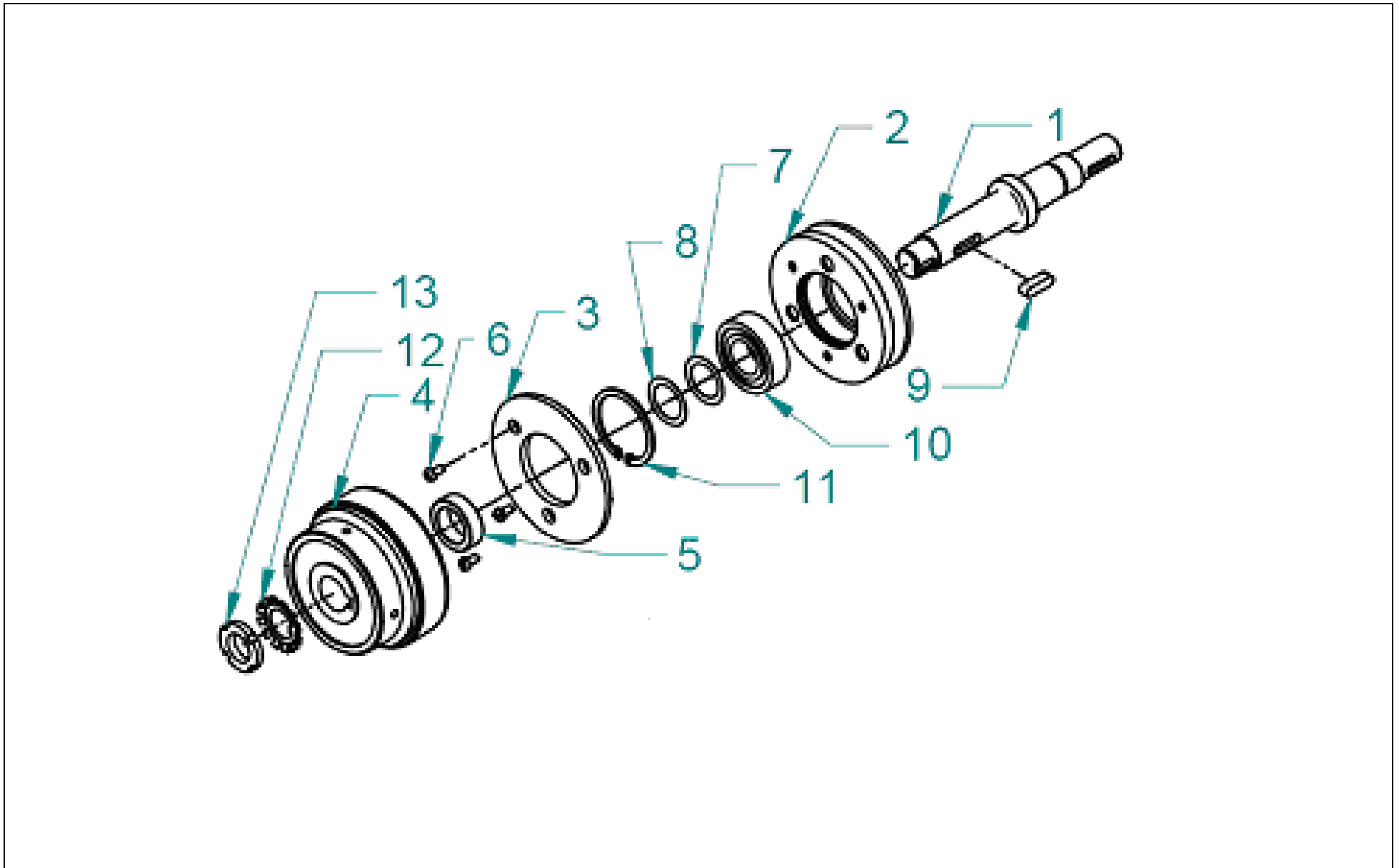
<b>No. in the Drawing</b>	<b>No. of diagram or standard</b>	<b>Name of part</b>	<b>Quantity</b>	<b>Comments</b>
1		Twine-wrapping unit assembly	1	
2	5270-130-520.11	Twine magazine assy	1	
3	5270-131-670.00	Brake assembly	1	
4	5276-340-700.00	Clutch unit assy	1	
5	5270-131-184.00	Magazine bracket, left	1	
6	5270-131-185.00	Magazine bracket, right	1	
7	5276-130-209.10	Guard	1	
8	5276-340-720.00	Tensioner arm, welded	1	
9	5270-130-161.00	Drive sprocket z22	1	
10	089-000976-5.112	Tension spring	1	
11	5270-130-179.00	Angle bar	1	
12	5270-130-194.00	Plain washer	1	
13	5270-130-181.00	Grommet	2	
14	ZN-89/MP-G/Sa-42	V-belt SPZ 612 /Ls/	1	
15	PN-M-82105	Bolt M8x20-8.8-B Fe/Zn8	10	
16	PN-M-82005	Washer 8.4 Fe/Zn8	14	
17	PN/M-85111	Circlip Z-28	2	
18	PN-M-82008	Spring washer Z8.2 Fe/Zn8	6	
19	PN-M-82144	Nut M8-8-B Fe/Zn8	9	
20	PN-M-82175	Self-locking nut M8-8-B Fe/Zn8	4	
21	PN-M-85005	Prismatic inlet Ax5x5x20	1	
22	PN-M-82305	Bolt M8x20-8.8-B Fe/Zn8	1	
23	PN-M-82105	Bolt M6x30-8.8-B Fe/Zn8	1	
24	5270-130-173.00	Freewheel hub	1	
25	PN-M-85111	Circlip W-80	1	
26	5270-130-190.10	Single-row freewheel Z 18	1	

**Twine-wrapping unit (electrical control) 5279-132-500.00**

**Table 24**

<b>No. in the Drawing</b>	<b>No. of diagram or standard</b>	<b>Name of part</b>	<b>Quantity</b>	<b>Comments</b>
27	PN-M-85111	Circlip Z-35	2	
28	5270-130-176.10	Roller	1	
29	PN-M-85023	Spring pin 6x16	1	
30	PN-M-82105	Bolt M10x25-8.8-B Fe/Zn8	4	
31	PN-M-82008	Washer Z10.2 Fe/Zn8	4	
32	PN-M-82005	Washer 10.5 Fe/Zn8	5	
33	PN-M-82105	Bolt M10x65-8.8-B Fe/Zn8	1	
34	PN-M-82144	Nut M10-8-B Fe/Zn8	2	
35	5276-340-206.10	Roller	1	
36	PN-M-82105	Bolt M12x65-8.8-B Fe/Zn8	1	
37	PN-M-82105	Bolt M8x35-8.8-B Fe/Zn8	1	
38	PN-M-86100	Bearing 6201 2RS	2	
39	5270-130-162.01	Sprocket z 24	1	
40	PN-M-82175	Self-locking nut M12-8-B Fe/Zn8	1	
41		Knob $\Phi$ 70-M14	1	
42	PN-M-82144	Nut M14-8-B Fe/Zn8	2	
43	5270-130-172.00	Bolt	1	
44	PN-M-85200/06	V-belt A1120	1	
45	PN-M-86100	Bearing 608 2RS	1	
46	PN-M-85111	Circlip W-22	1	
47	PN-M-82144	Nut M6-8-B Fe/Zn8	2	
48	BN-76/1902-26	Eye bolt CD M6x50	1	
49	PN-M-82101	Bolt M5x 30-8.8-B Fe/Zn8	1	
50	PN-M-82144	Nut M5-8-B Fe/Zn8	1	
51	5276-340-208.00	Guard	1	

**Table 25 Clutch unit assy 5276-340-700.00**

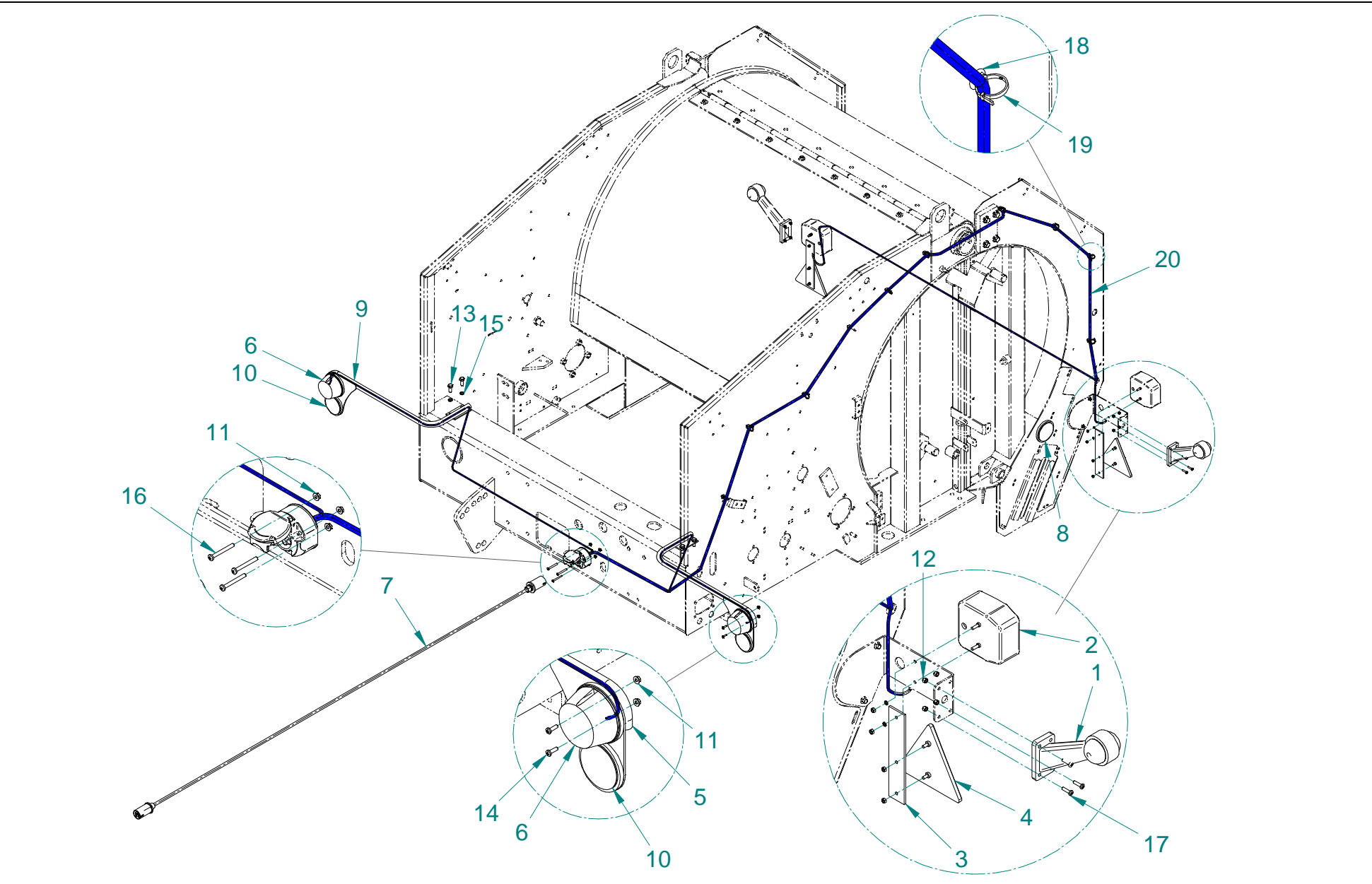


**Clutch unit assy 5276-340-700.00**

**Table 25**

No. in the Drawing	No. of diagram or standard	Name of part	Quantity	Comments
1	5276-340-201.00	Roller	1	
2	5276-340-200.00	Belt pulley D <sub>p</sub> 80	1	
3		Clutch disc ESM3-15-20-12	1	
4		Clutch ESM3-15-20-12	1	
5	5276-340-202.00	Bushing	5	
6	PN-M-82215	Bolt M4x8-8.8-B Fe/Zn8	3	
7	0-89-000712-0.142	Spacer		As needed, until the nominal play is removed
8	5276-340-209.00	Spacer		As needed, until the nominal play is removed
9	PN-M-85005	Prismatic inlet A6x6x20	1	
10	PN-M-86100	Bearing 6004 2RS	1	
11	PN-M-85111	Circlip W-42	1	
12	PN-M-86482	Toothed washer MB3	1	
13	PN-M-86478	Bearing nut KM3	1	

Table 26 Lighting 5279-140-500.20



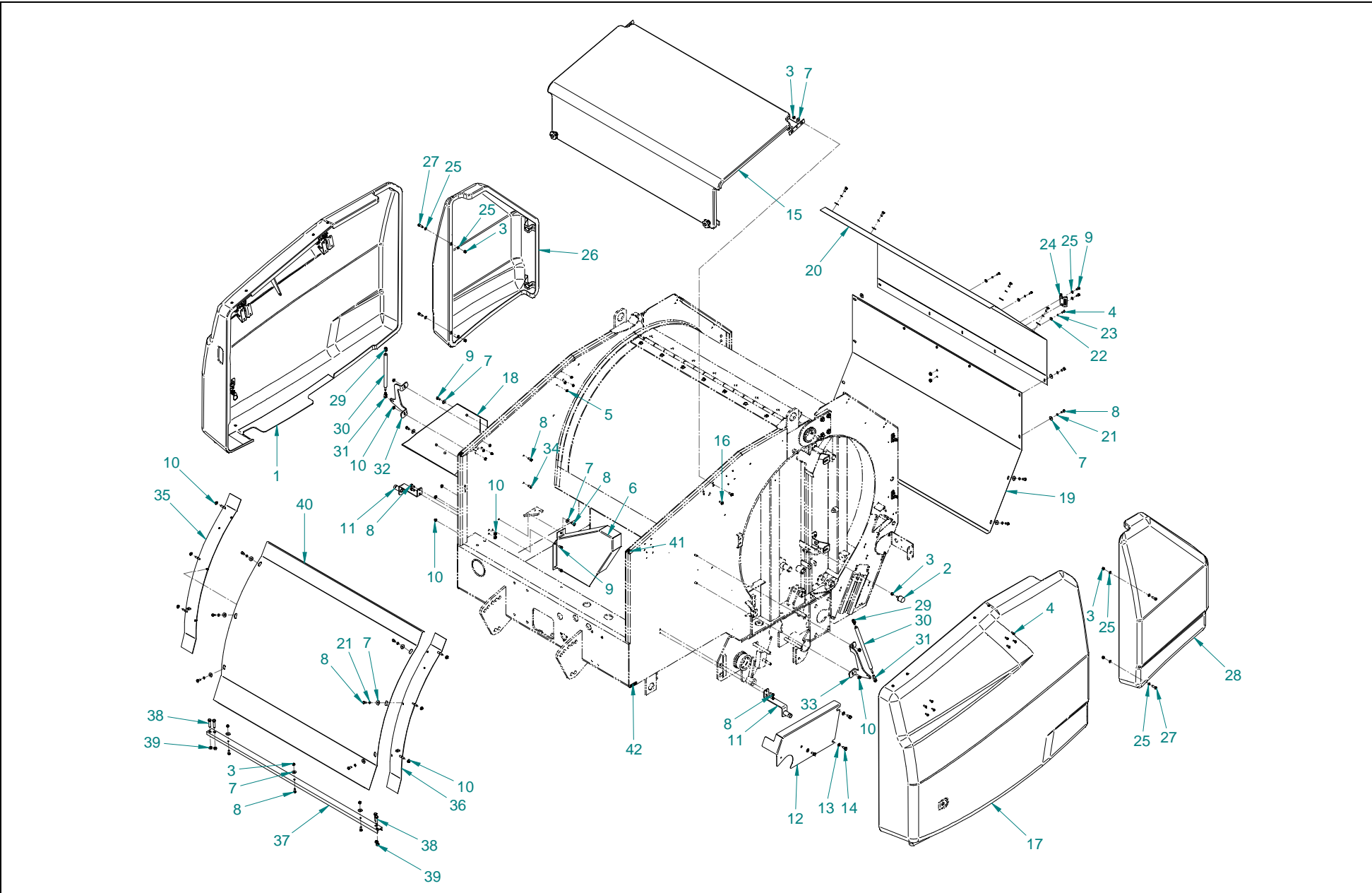


**Lighting 5279-140-500.20**

**Table 26**

<b>No. in the Drawing</b>	<b>No. of diagram or standard</b>	<b>Name of part</b>	<b>Quantity</b>	<b>Comments</b>
1		Front/rear compact marker lamp W21.3z	2	
2		Rear compact lamp LT-70	2	
3	5270-140-101.01	Belt	2	
4	UT-150S	Reflective device UT-150S	2	
5	5279-140-551.00	Lamp bracket, left, wld	1	
6		Front lamp, white, E 92 D	2	
7	5279-140-560.00	Main conduit	1	
8		Round reflective device, yellow, adhesive 75T	4	
9	5279-140-552.00	Lamp bracket, right, wld	1	
10		Round reflective device, white, adhesive 75T	2	
11	~DIN 6923	Serrated collar nut M5	7	
12	PN-EN ISO 7040	Self-locking nut M5 - 8 - A3L	8	
13	PN-EN ISO 4017	Bolt M10 x 25 - 8.8 - A3L	4	
14	PN-EN ISO 7045	Screw H M5x16-8.8-B A3L	4	
15	PN-M-82008	Spring washer Z 10.2 A3L	4	
16	PN-EN ISO 7045	Screw H M5x45-8.8-B A3L	3	
17	PN-EN ISO 7045	Screw H M5x20-8.8-B A3L	8	
18	SR 1720 - 462716	Band holder	10	
19		UV-resistant band 3.2x120 SR 1767 - 460253	10	
20	5279-140-570.00	Wiring harness set	1	

Table 27 Guards, set 5279-152-500.01



Guards, set 5279-152-500.0

Table 27

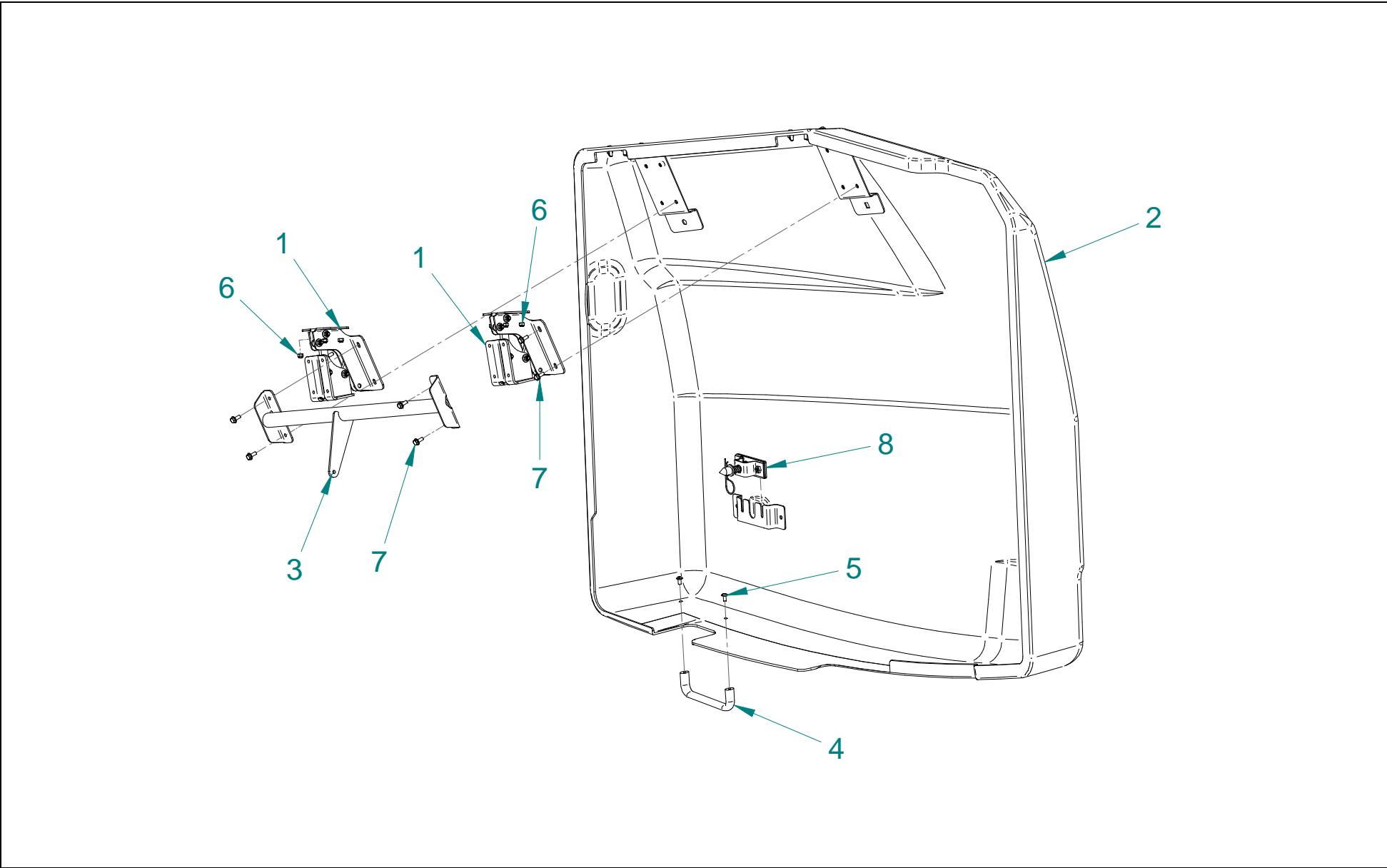
No. in the Drawing	No. of diagram or standard	Name of part	Quantity	Comments
1	5295-150-510.00	Front guard, right	1	Table 28
2	31660/D	Shock absorber	2	
3	PN-EN ISO 7040	Self-locking nut M8 - 8 - A3L	13	
4	PN-EN ISO 4017	M 6 x 16 - 8.8 - A3L bolt	19	
5	TENSILOCK	Nut M6	16	
6	5276-150-164.00	Variator cover	1	
7	PN-EN ISO 7093-1	Washer 8 - A3L	29	
8	PN-EN ISO 4017	M 8 x 20 - 8.8 - A3L bolt	28	
9	PN-EN ISO 4017	M 8 x 16 - 8.8 - A3L bolt	7	
10	TENSILOCK	Nut M8	19	
11	5295-150-670.00	Socket support, welded	2	
12	5276-150-156.20	Left bottom cover	1	
13	PN-EN ISO 7091	Washer 10 - A3L	3	
14	PN-EN ISO 4017	Bolt M10 x 20 - 8.8 - A3L	3	
15	5295-150-550.02	Middle guard, set	1	Table 30
16		Socket button-head washer hex screw M8x20	4	
17	5295-150-530.00	Front guard, left	1	Table 29
18	5276-150-114.04	Right bottom guard	1	
19	5279-150-690.00	Rear guard, set II	1	
20	5279-150-111.03	Rear guard I	1	
21	PN-M-82008	Spring washer Z 8.2 A3L	18	
22	PN-EN ISO 7093-1	Washer 6 - A3L	3	
23	PN-M-82008	Spring washer Z 6.1 A3L	3	
24	PN-S-73103	Triangle holder	1	

Guards, set 5279-152-500.0

Table 27

No. in the Drawing	No. of diagram or standard	Name of part	Quantity	Comments
25	PN-EN ISO 7091	Washer 8 - A3L	10	
26	5295-150-570.00	Rear right guard, glued	1	
27	PN-EN ISO 4017	M 8 x 25 - 8.8 - A3L bolt	4	
28	5295-150-580.00	Rear left guard, glued	1	
29		Mounting yoke with lock GN 751-6-12-M6-B	2	
30	4550	Gas spring 18-8 L_556-262	2	
31		Mounting yoke with lock GN 751-6-24-M6-B	2	
32	5295-150-125.00	Spring bracket, right	1	
33	5295-150-126.00	Spring bracket, left	1	
34	BN 1206 Bossard	Bolt M8x20 with extremely low head, rolled	2	
35	5279-150-780.01	Right sheet metal assy, welded	1	
36	5279-150-790.01	Left sheet metal assy, welded	1	
37	5276-150-161.00	Channel bar	1	
38	PN-EN ISO 4017	Bolt M10 x 45 - 8.8 - A3L	4	
39	PN-EN ISO 4032	Nut M10 - 8 - A3L	4	
40	5279-150-200.00	Guard	1	
41		Adhesive absorbing buffer SR 1593 - 462171	2	
42		Rubber seal SR 5561 - 493001 - 50mm	2	

Table 28 Front guard assy, right 5295-150-510.00



**Front guard assy, right 5295-150-510.00****Table 28**

<b>No. in the Drawing</b>	<b>No. of diagram or standard</b>	<b>Name of part</b>	<b>Quantity</b>	<b>Comments</b>
1	5295-150-640.00	Hinge assy	2	Table 32
2	5295-150-520.00	Front right guard, glued	1	
3	5295-150-650.00	Right rigidifying element, welded	1	
4		Handle GN 565-20-160-SW	1	
5		Socket button-head washer hex screw M6x12	2	
6	PN-EN ISO 7040	Self-locking nut M6 - 8 - A3L	8	
7	TENSILOCK	Bolt M 6 x 16	8	
8	5600-150-710.00	Locking device assy	1	Table 31

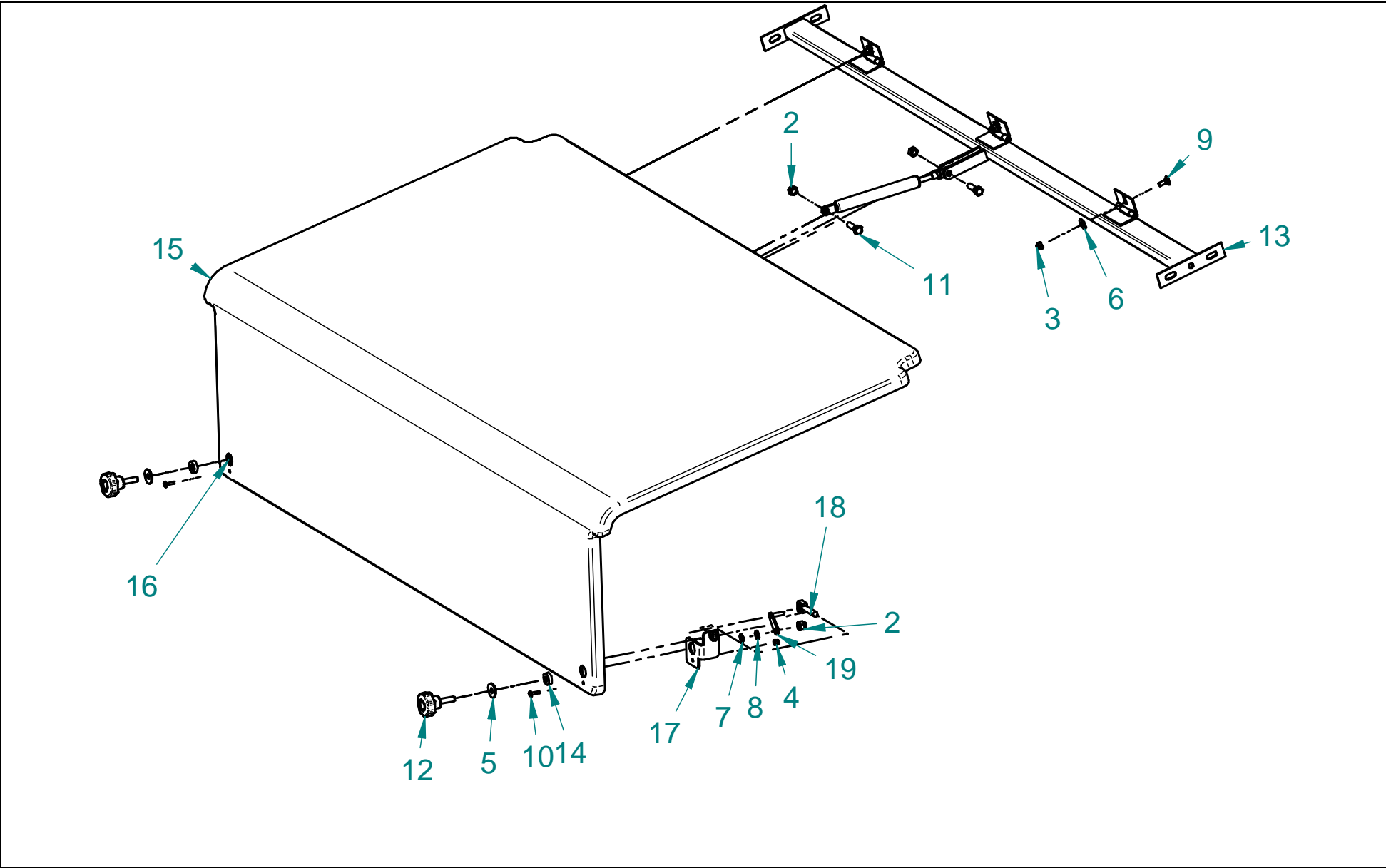


**Front guard assy, left 5295-150-530.00****Table 29**

<b>No. in the Drawing</b>	<b>No. of diagram or standard</b>	<b>Name of part</b>	<b>Quantity</b>	<b>Comments</b>
1	5295-150-540.00	Front left guard, glued	1	
2	5295-150-640.00	Hinge assy	2	Table 32
3	5295-150-660.00	Left rigidifying element, welded	1	
4	PN-EN ISO 7040	Self-locking nut M6 - 8 - A3L	8	
5	TENSILOCK	Bolt M6 x 16	8	
6	5600-150-710.00	Locking device assy	1	Table 31
7		Handle GN 565-20-160-SW	1	
8		Socket button-head washer hex screw M6x12	2	



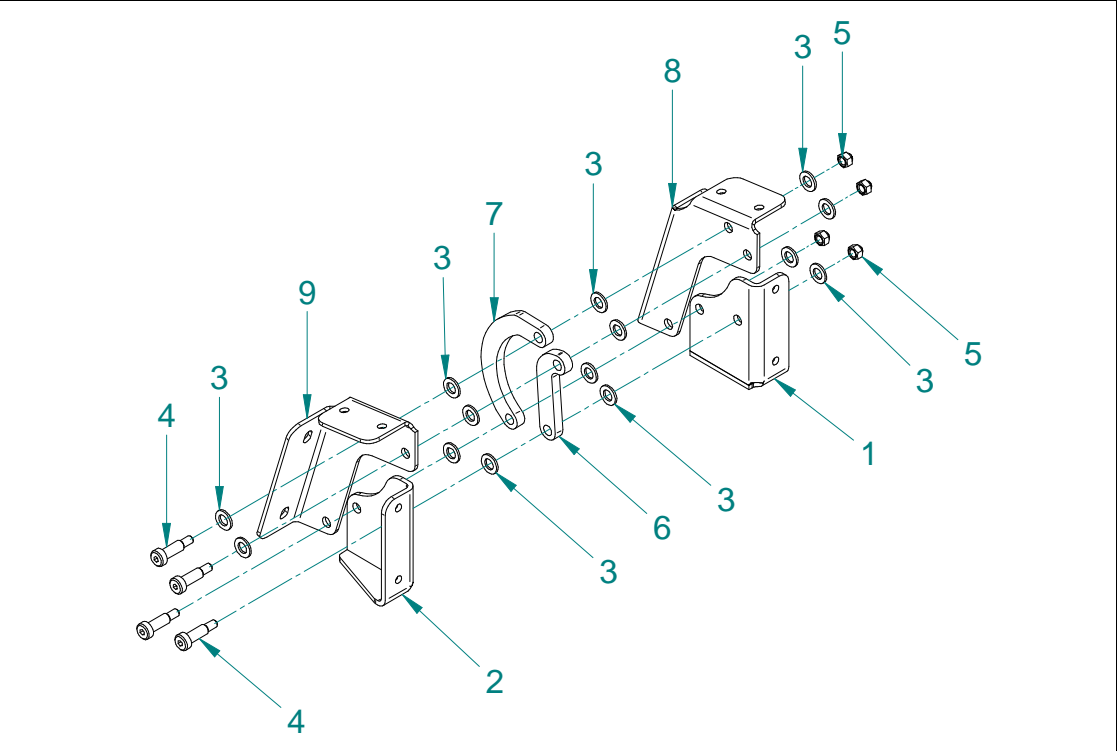
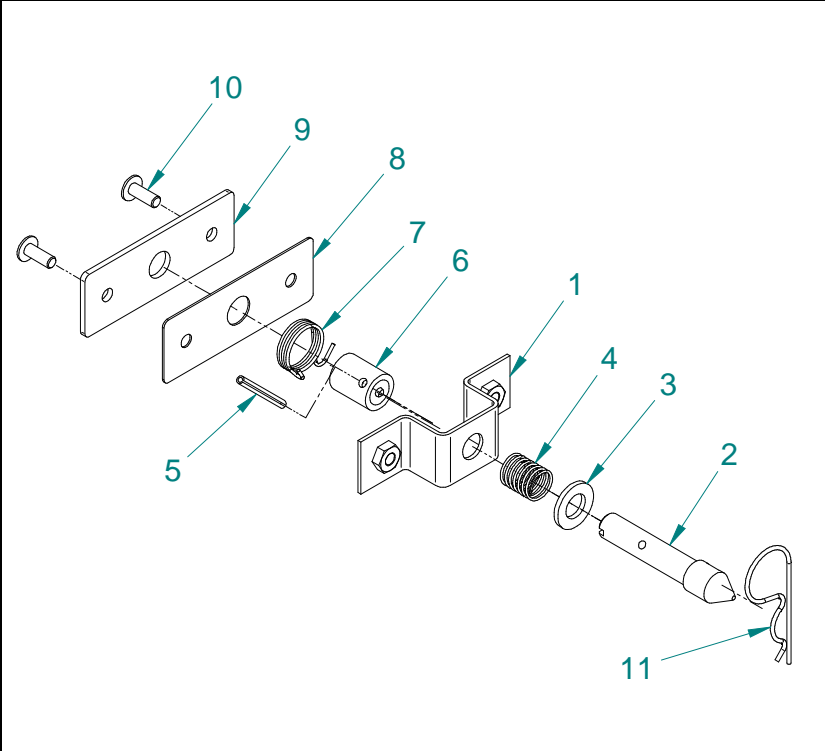
Table 30 Middle guard, set 5295-150-550.02



No. in the Drawing	No. of diagram or standard	Name of part	Quantity	Comments
1	0652-690-004	Gas spring 350N - 31349	1	
2	0653-156-014ZN	Self-locking nut M8- 8- A3L	4	
3	0653-156-018ZN	Self-locking nut M6 - 8 - A3L	3	
4	0653-156-023ZN	Self-locking nut M4 - 8 - A3L	2	
5	0653-182-021ZN	Washer 8 - A3L	4	
6	0653-182-023ZN	Washer 6 - A3L	3	
7	0653-191-017	Washer 8x14x0.5	2	
8	0653-191-018	Washer 8x14x1	2	
9	0653-312-006ZN	M6x16-8.8-B-A3L bolt	3	
10	0653-331-055ZN	Socket button-head washer hex screw M4x16	2	
11	0653-513-036ZN	Bolt M8 x 30 - 8.8 - A3L	2	
12	1362-900-046	Knob 40- M8x30 SR 5460 - 493912	2	
13	5270-150-520.10	Crossbeam, welded	1	
14	5295-150-131.10	Spacer	2	
15	5295-150-560.10	Middle guard, glued	1	
16	5295-150-720.00	Lock bracket, right, welded	1	
17	5295-150-730.00	Lock bracket, left, welded	1	
18	5295-150-740.00	Guide, welded	2	
19	5295-150-750.00	Lever, wld	2	

Table 31 Locking device assy 5600-150-710.00

Table 32 Hinge assy 5295-150-640.00



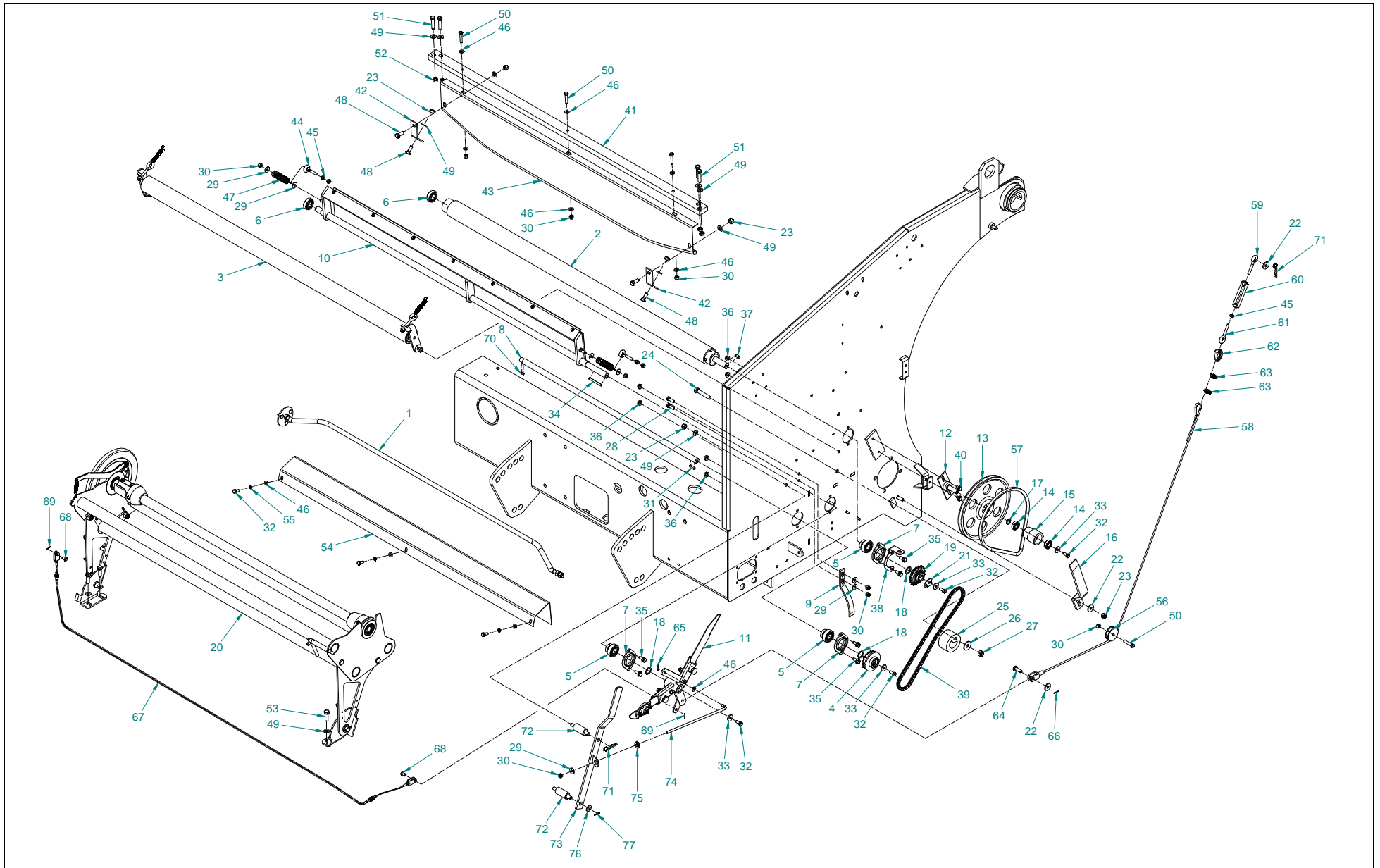
**Locking device assy 5600-150-710.00****Table 31**

<b>No. in the Drawing</b>	<b>No. of diagram or standard</b>	<b>Name of part</b>	<b>Quantity</b>	<b>Comments</b>
1	5600-150-720.01	Body assy	1	
2	5600-150-130.00	Locking device pin	1	
3	PN-M-82006	Washer 13	1	
4	089-000975-3.912	Spring	1	
5	PN-M-85023	Spring-type straight pin 4x40	1	
6	5600-150-134.00	Bushing	1	
7	5600-150-135.00	Retracting spring	1	
8	5600-150-148.00	Shim	1	
9	5600-150-133.00	Body plate	1	
10	PN-EN ISO 4017	Bolt M6 x 16 - 8.8 - A3L	2	
11	5600-150-147.00	Locking device cotter pin	1	

**Hinge assy 5295-150-640.00****Table 32**

<b>No. in the Drawing</b>	<b>No. of diagram or standard</b>	<b>Name of part</b>	<b>Quantity</b>	<b>Comments</b>
1	5279-151-110.00	Hinge mounting, right	1	
2	5279-151-111.00	Hinge mounting, left	1	
3	PN-EN ISO 7091	Washer 8 - A3L	14	
4	ISO 7379	Socket fitted cap screw M6x20 - 12.9	4	
5	PN-EN ISO 7040	Self-locking nut M6 - 8 - A3L	4	
6	5279-151-117.00	Short arm hinge	1	
7	5279-151-116.00	Long arm hinge	1	
8	5295-150-113.00	Hinge, right	1	
9	5295-150-114.00	Hinge, left	1	

Table 33 Net wrapping unit 5279-161-500.02



Net wrapping unit 5279-161-500.01

Table 33

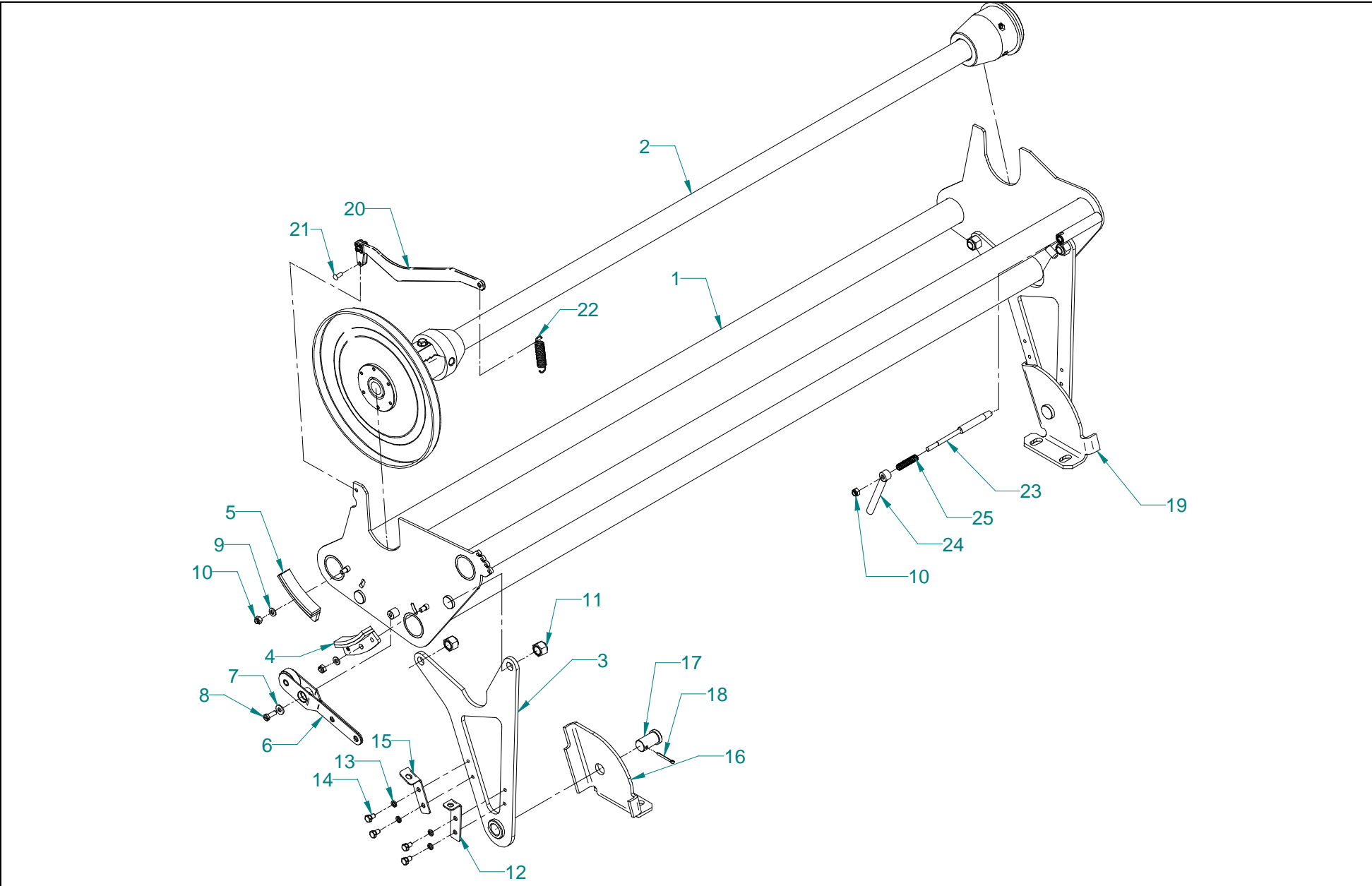
No. in the Drawing	No. of diagram or standard	Name of part	Quantity	Comments
1	5270-160-820.00	Net distribution bar assy	1	Table 40
2	5270-160-530.01	Rubber-coated roller	1	
3	5279-161-530.00	Pressure roller assembly	1	Table 38
4	5270-160-550.01	Control hub	1	
5	PN-M-86120	Self-aligning bearing D 204	3	
6	PN-M-86100	Bearing 6004-2RS	2	
7	PN-M-86468	Bearing housing T-204	3	
8	5270-160-201.00	Drive shaft	1	
9	5276-160-190.00	Knife guide I	1	
10	5279-161-550.00	Bracket and knife assy	1	Table 39
11	5279-161-600.00	Control lever body assy	1	Table 37
12	5270-160-570.00	Journal assy, welded	1	
13	5270-160-203.10	Belt pulley D <sub>p</sub> 240	1	
14	PN-M-86100	Bearing 6002-2RS	2	
15	5270-160-206.10	Housing	1	
16	5270-160-191.10	Knife guide II	1	
17	089-000712-0.073	Washer	1	
18	089-000712-0.142	Washer	5	
19	5270-160-540.00	Freewheel hub	1	
20	5600-161-520.00	Net container assy	1	Table 34
21	5279-161-109.00	Magnet mounting plate	1	Only with electrical control of the w.u.
22	PN-M-82030	Round washer 10.5	3	
23	PN-M-82175	Self-locking nut M10-8-B- R3J	7	
24	PN-M-82105	M12x65-8.8-B-Fe/Zn8 Bolt	1	
25	2010-060-144.00	Tension roller	1	
26	PN-M-82030	Round washer 13 Fe/Zn8	1	

No. in the Drawing	No. of diagram or standard	Name of part	Quantity	Comments
27	PN-M-82175	Self-locking nut M12-8-B R3J	1	
28	PN-M-82105	Bolt M 8 x 25-8.8-B Fe-Zn8	2	
29	PN-M-82030	Round washer 8.5 Fe/Zn8	7	
30	PN-M-82175	Self-locking nut M8-8-B Fe/Zn8	9	
31	PN-M-85005	Prismatic inlet A6x6x25	1	
32	PN-M-82101	M8x20-8.8-B-Fe/Zn8 bolt	7	
33	089-000709-1.082	Washer	4	
34	PN-M-85005	Prismatic inlet A6x6x63	1	
35	PN-M-82247	Bolt N-U M 8x20-8.8	6	
36	~DIN 6923	Serrated collar nut M8	6	
37	PN-M-85005	Prismatic inlet A6x6x20	1	
38	5279-161-110.01	Sensor mounting plate	1	Only with electrical control of the w.u.
39	PN-M-84168	Chain 081-72PS	1	
40		M8x12 Verbus Ripp bolt	2	
41	5270-160-195.01	Counterknife	1	
42	5270-160-270.00	Retaining plate	2	
43	5270-160-710.10	Bottom steel sheet	1	
44	BN-M-1902-26	CD M8x70 eye bolt	2	
45	PN-M-82144	Nut M8-8-B-Fe/Zn8	5	
46	PN-M-82030	Washer 8.4 Fe/Zn8	10	
47	089-000976-5.510	Tension spring	2	
48	PN-M-82101	Bolt M10x25-8.8-B Fe/Zn8	4	
49	PN-M-82005	Washer 10,5-Fe/Zn8	14	
50	PN-M-82105	Bolt M8x40-8.8-B	4	
51	PN-M-82105	Bolt M10x45-8.8-B Fe/Zn8	4	
52	PN-M-82144	Nut M10-8-B-Fe/Zn8	4	

No. in the Drawing	No. of diagram or standard	Name of part	Quantity	Comments
53	PN-M-82101	Bolt M10x35-8.8-B Fe/Zn8	4	
54	5276-160-197.04	Guard	1	
55	PN-M-82008	Spring washer Z 8.2 Fe/Zn8	3	
56	5270-160-207.00	Disc	1	
57	PN/M-85200/06	V-belt HZ 850	1	
58	5269-160-680.00	Cable assy	1	
59	BN-M-1902-26	Eye bolt CDL M8x60	1	
60	PN-M-82269	Turnbuckle M8 Fe/Zn8	1	
61	BN-M-1902-26	CD M8x60 eye bolt	1	
62	PN-M-80247	A6 thimble	1	
63	PN-M-80241	Stirrup clamp 6.5	2	
64	PN-EN 22341	Pin B-10x30-St	1	
65	PN-EN ISO 1234	Cotter pin 3.2x20-St	1	
66	PN-EN ISO 1234	Cotter pin 2.5x16-St	1	
67	5279-161-736.00	Release tension rod	1	
68	5600-161-338.00	Bolt	2	
69	PN-EN ISO 1234	Cotter pin 2x20-St	2	
70	PN-M-85005	Prismatic inlet A5x5x14	1	
71	PN-ISO 7072	Cotter pin 3x70 - R3J	2	
72	5569-160-228.00	Bolt	2	
73	5569-160-770.00	Lever assy, wld	1	
74	5279-161-113.01	Tension rod	1	
75	BN-3688-01	Grommet A10x2.5	1	
76	PN-M-82030	13 R3J Washer	1	
77	PN-EN ISO 1234	Cotter pin 2.5x20-St	1	



Table 34 Net container assembly 5600-161-520.00

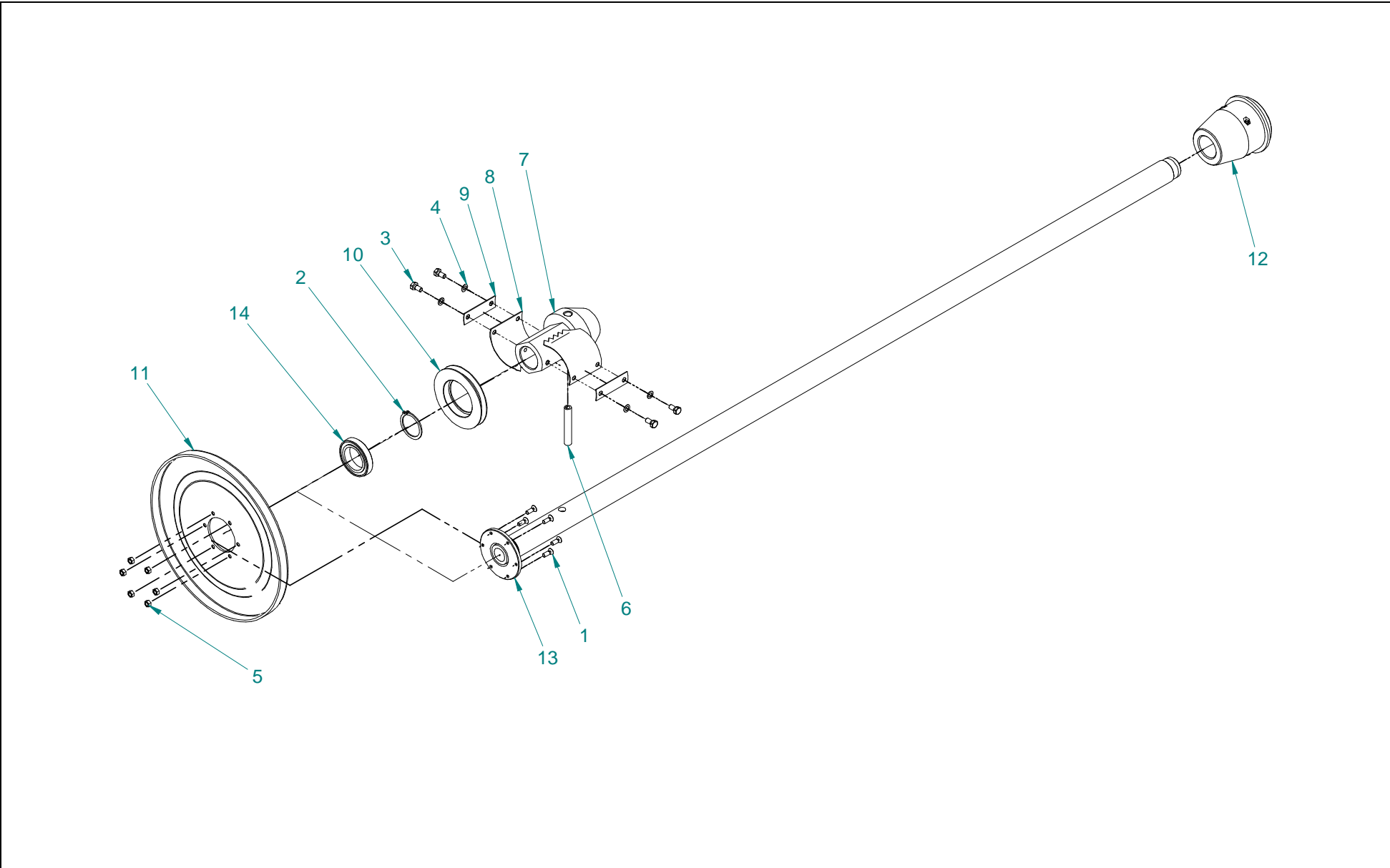


**Net container assembly 5600-161-520.00**

**Table 34**

<b>No. in the Drawing</b>	<b>No. of diagram or standard</b>	<b>Name of part</b>	<b>Quantity</b>	<b>Comments</b>
1	5600-161-710.00	Cradle	1	
2	5295-160-650.00	Net rod assy	1	Table 35
3	5600-161-715.00	Cradle arm	2	
4	5600-160-740.00	Brake shoe	1	
5	5600-160-745.00	Brake shoe	1	
6	5600-160-725.00	Releasing lever	1	
7	5600-160-336.00	Washer	1	
8	PN-M-82215	M 6x16-5.8-A Fe-Zn8 screw	1	
9	PN-M-82005	Washer 6.4	2	
10	PN-M-82175	Self-locking nut M6-8-B Fe/Zn8	3	
11	PN-M-82175	Self-locking nut M12-8-B Fe/Zn8	4	
12	5600-160-337.00	Cable mounting bracket	1	
13	PN-M-82008	Spring washer Z 6.1 Fe/Zn8	4	
14	PN-M-82105	Bolt M6x10-8.8-B	4	
15	5600-161-401.00	Support	1	
16	5600-161-186.00	Feeder bracket, right	1	
17	5600-161-435.00	Container bracket pin	2	
18	PN-EN ISO 1234	Cotter pin 3.2x25-St	2	
19	5600-161-185.00	Feeder bracket, left	1	
20	5600-160-761.00	Clamping assembly	1	
21	PN-M-82952	Rivet 5x12-B	1	
22	089-000976-4.111	Tension spring	1	
23	5600-161-484.00	Lock pin	1	
24	5600-161-830.00	Lock handle assy	1	
25	089-000975-3.811	Spring	1	

**Table 35 Net rod assembly 5295-160-650.00**



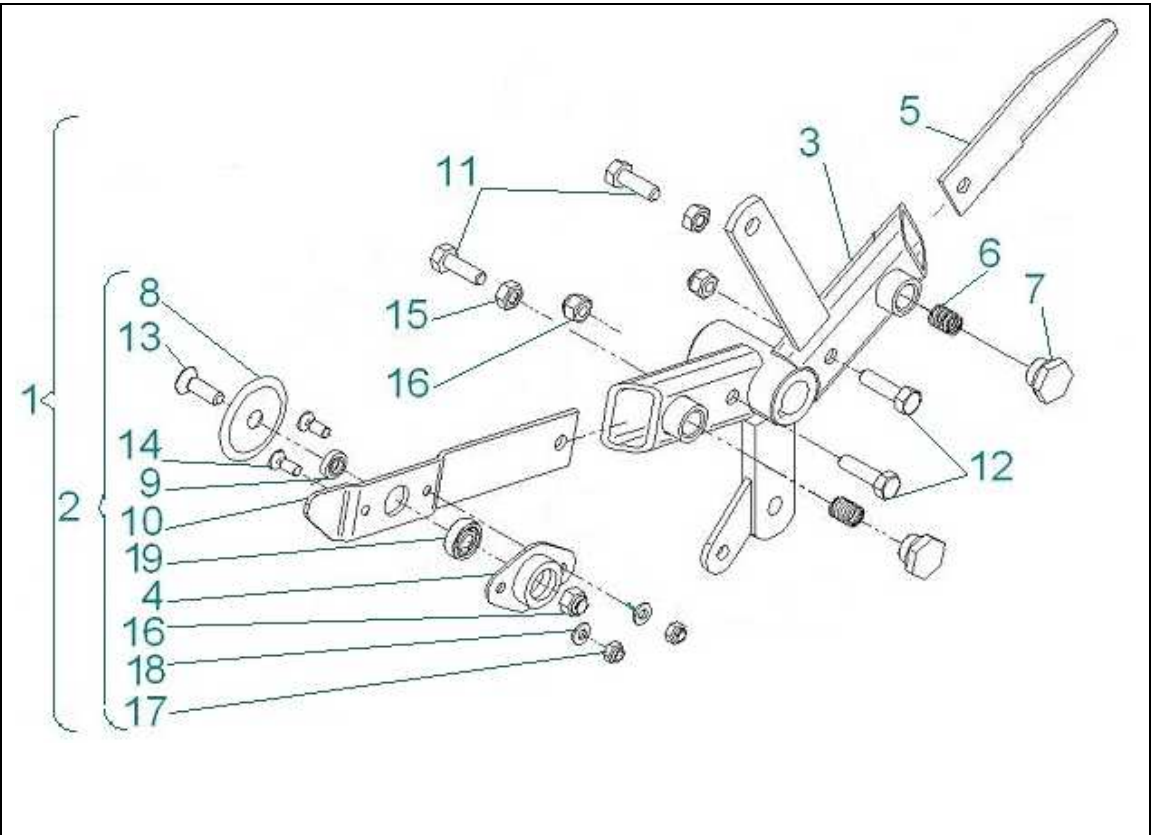
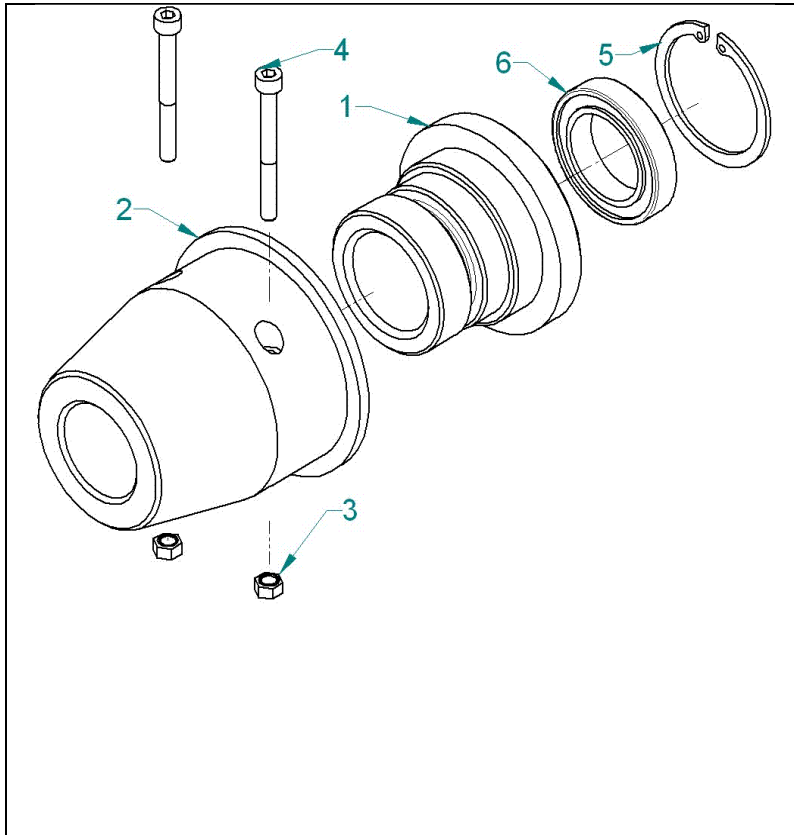
**Net rod assembly 5**

**Table 35**

<b>No. in the Drawing</b>	<b>No. of diagram or standard</b>	<b>Name of part</b>	<b>Quantity</b>	<b>Comments</b>
1	0653-331-033ZN	Bolt M5x14-8.8 - H - A3L	6	
2	0639-361-015	Retaining ring Z 35	1	
3	0653-132-034ZN	Bolt M 6 x 12 - 8.8 - A3L	4	
4	0653-182-033ZN	Washer 6.4	4	
5	0653-321-002ZN	Nut M5-8-B-A3L	6	
6	0653-512-070	Spring-type straight pin 10x60	1	
7	5295-160-121.01	Driver body	1	
8	5295-160-122.00	Driver spring	2	
9	5295-160-123.00	Washer	2	
10	5600-160-349.10	Bearing hub	1	
11	5600-160-354.10	Brake drum	1	
12	5600-160-528.01	Carcass sleeve	1	Table 36
13	5600-161-756.00	Rod and hub	1	
14		Bearing 61907-2RS1	1	

**Table 36 Carcass sleeve 5600-160-528.01**

**Table 37 Control lever assy 5279-161-600.00**



**Carcass sleeve 5600-160-528.01****Table 36**

<b>No. in the Drawing</b>	<b>No. of diagram or standard</b>	<b>Name of part</b>	<b>Quantity</b>	<b>Comments</b>
1	5600-160-347.20	Bearing hub	1	
2	5600-160-348.20	Carcass sleeve	1	
3	PN-M-82144	Nut M5-8-B	2	
4	PN-M-82302	Bolt M 5x50-8,8-B	2	
5	PN-M-85111	Circlip W 47	1	
6		Bearing 61906-2RS1	1	

**Control lever assy 5279-161-600.00****Table 37**

<b>No. in the Drawing</b>	<b>No. of diagram or standard</b>	<b>Name of part</b>	<b>Quantity</b>	<b>Comments</b>
1	5279-161-600.00	Control lever assy	1	
2	5279-161-710.00	Circular cutter	1	
3	5279-161-700.00	Lever, welded	1	
4	5279-161-720.00	Mounting, weld.	1	
5	5270-160-125.02	Control lever	1	
6	089-000975-3.913	Spring	2	
7	5270-160-131.00	Cap	2	
8	5279-161-105.00	Blade	1	
9	5279-161-106.00	Bushing	1	
10	5279-161-104.00	Lever	1	
11	PN-M-82105	Bolt M8x25-8.8-B Fe/Zn8	2	
12	PN-M-82101	Bolt M8x25-8.8-B Fe/Zn8	2	
13	PN-M-82207	Bolt M8x25-8.8 Fe/Zn8	1	
14	PN-M-82207	Bolt M6x16-8.8 Fe/Zn8	2	
15	PN-M-82144	Nut M8-B-B Fe/Zn8	2	
16	PN-M-82175	Self-locking nut M8-8-B Fe/Zn8	3	
17	PN-M-82175	Self-locking nut M6-8-B Fe/Zn8	2	
18	PN-M-82005	Washer 6.4 Fe/Zn8	2	
19		Bearing 608 2RS	1	

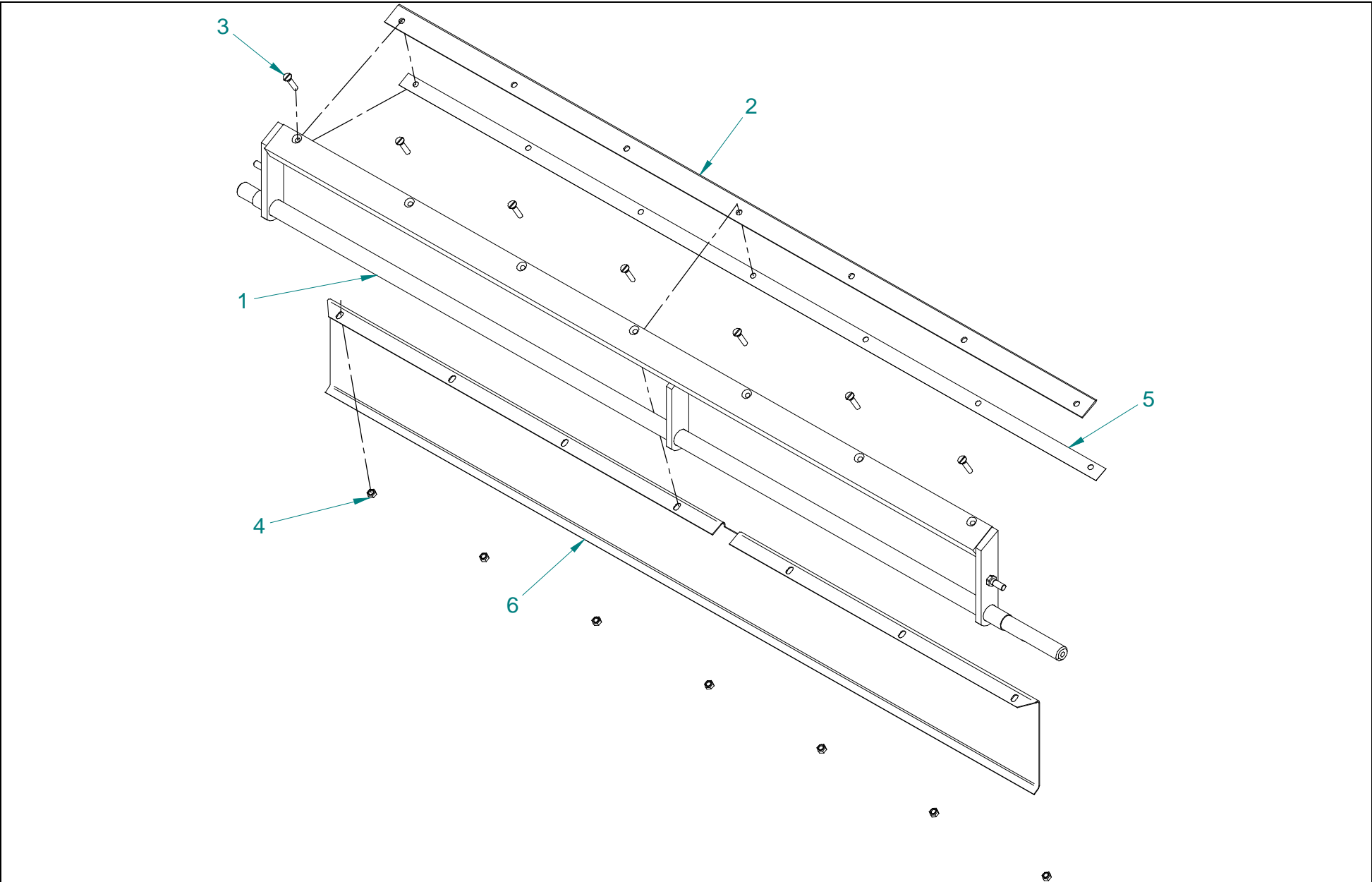


**Pressure roller assembly 5279-161-530.00****Table 38**

<b>No. in the Drawing</b>	<b>No. of diagram or standard</b>	<b>Name of part</b>	<b>Quantity</b>	<b>Comments</b>
1	5270-160-199.01	Spring	2	
2	BN-M-1902-26	CD M8x70 eye bolt	2	
3	PN-M-82175	Self-locking nut M8-8-B Fe/Zn8	2	
4	5279-161-520.00	Roller arm, left	1	
5	PN-M-82030	Round washer 10.5 Fe/Zn8	4	
6	PN-M-86100	Bearing 6205 2RS	2	
7	PN-M-82175	Self-locking nut M10-8-B Fe/Zn8	2	
8	PN-M-82105	Bolt M10x35-8.8-B Fe/Zn8	2	
9	5279-161-510.00	Roller arm, right	1	
10	5270-160-202.00	Roller	1	



**Table 39    Bracket and knife assy 5279-161-550.00**



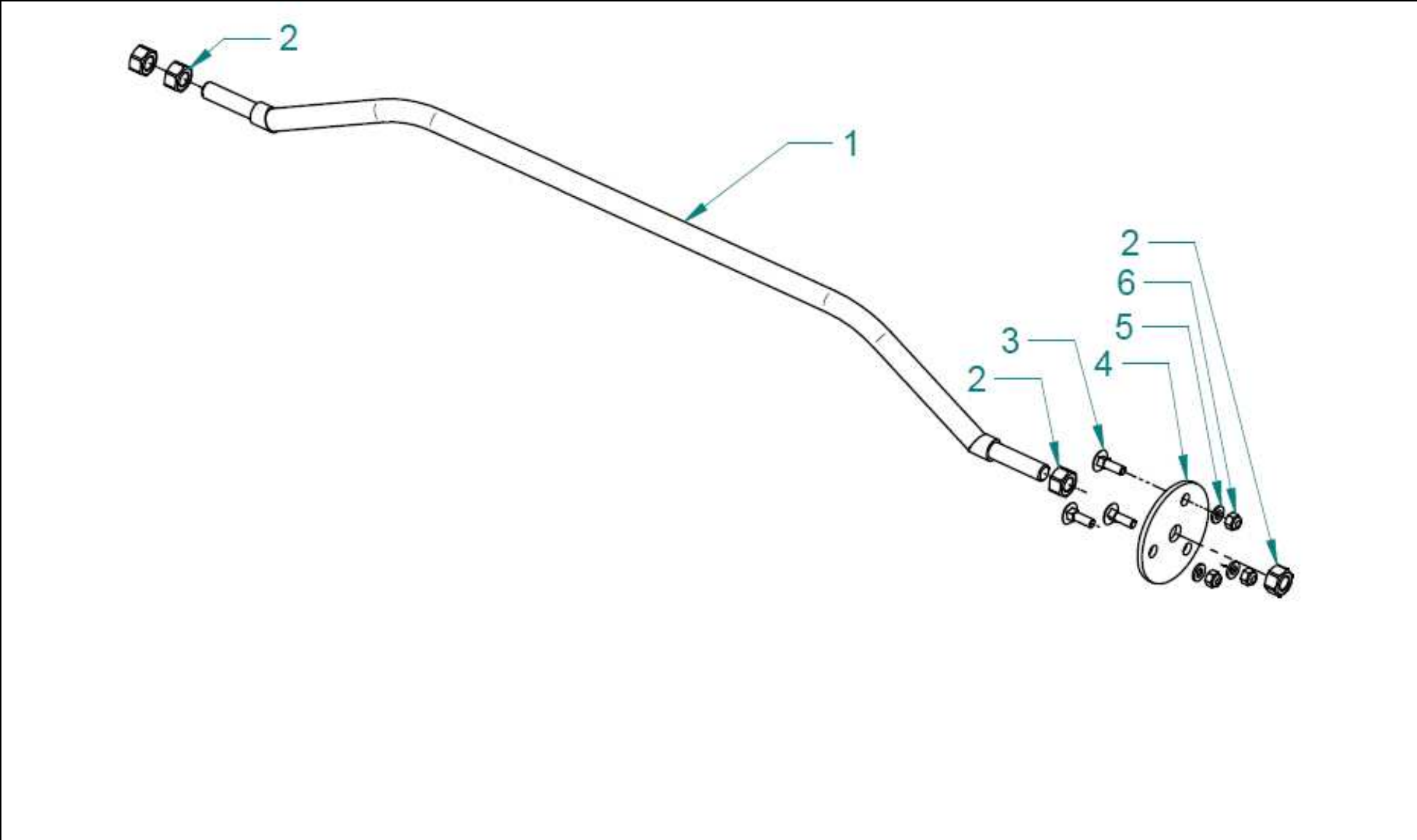
**Bracket and knife assy 5279-161-550.00****Table 39**

<b>No. in the Drawing</b>	<b>No. of diagram or standard</b>	<b>Name of part</b>	<b>Quantity</b>	<b>Comments</b>
1	5279-161-540.00	Knife bracket, welded	1	
2	5270-160-147.00	Blade	1	
3	PN-M-82207	M6x30-8.8-B Fe-Zn8 Screw	7	
4	PN-M-82175	Self-locking nut M6-8-B Fe/Zn8	7	
5	5270-160-225.02	Tape	1	
6	5276-160-230.00	Knife guard	1	

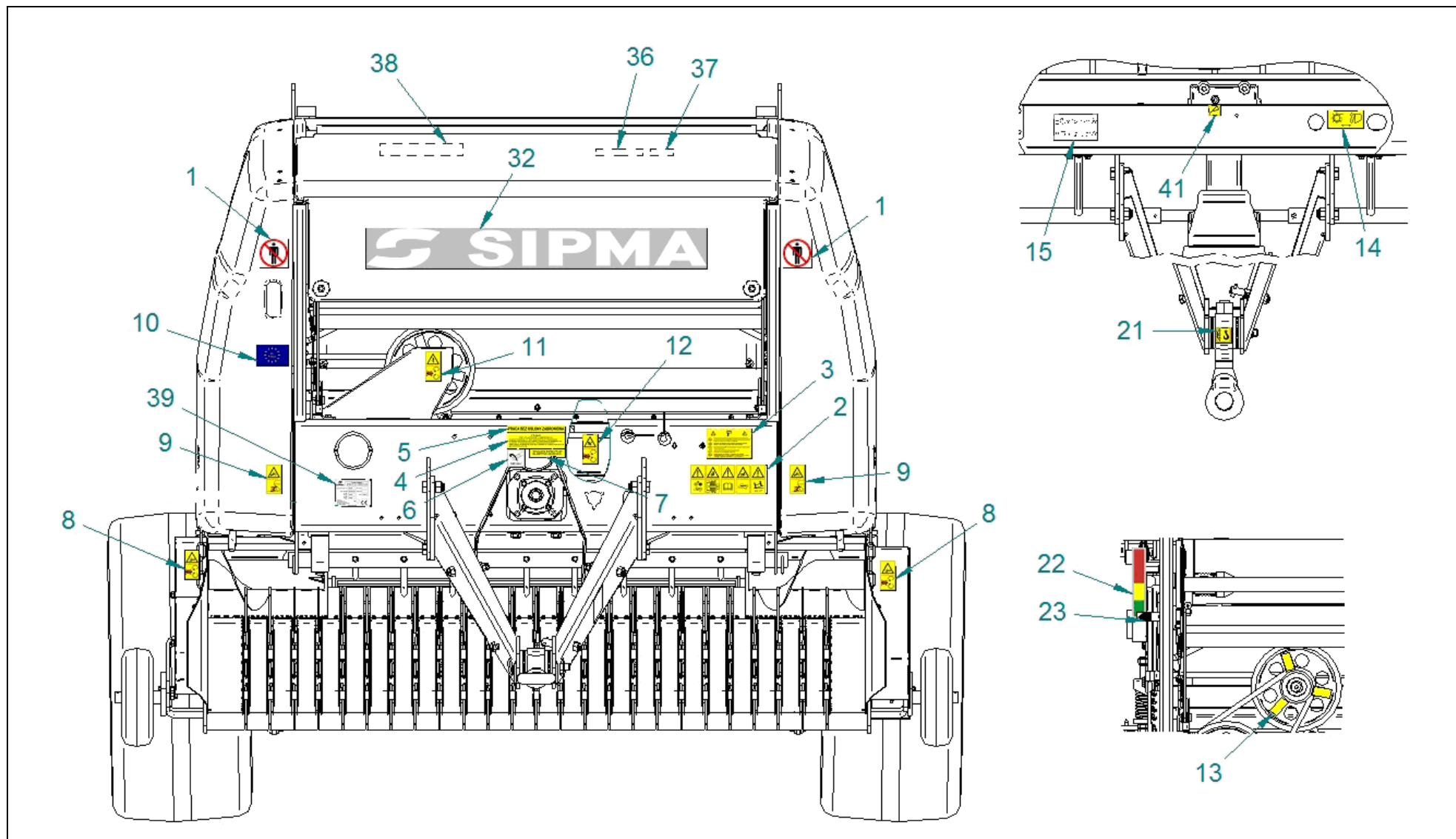
**Distribution bar assy 5270-160-820.00****Table 40**

<b>No. in the Drawing</b>	<b>No. of diagram or standard</b>	<b>Name of part</b>	<b>Quantity</b>	<b>Comments</b>
1	5270-160-830.00	Net distribution bar assy	1	
2	PN/M-82144	Nut M12-8-B Fe/Zn8	4	
3	PN/M-82406	Bolt M6x20-8.8-B Fe/Zn8	3	
4	5270-160-277.00	Lid	1	
5	PN/M-82005	Washer 6.4 Fe/Zn8	3	
6	PN/M-82175	Self-locking nut M6-8-B Fe/Zn8	3	

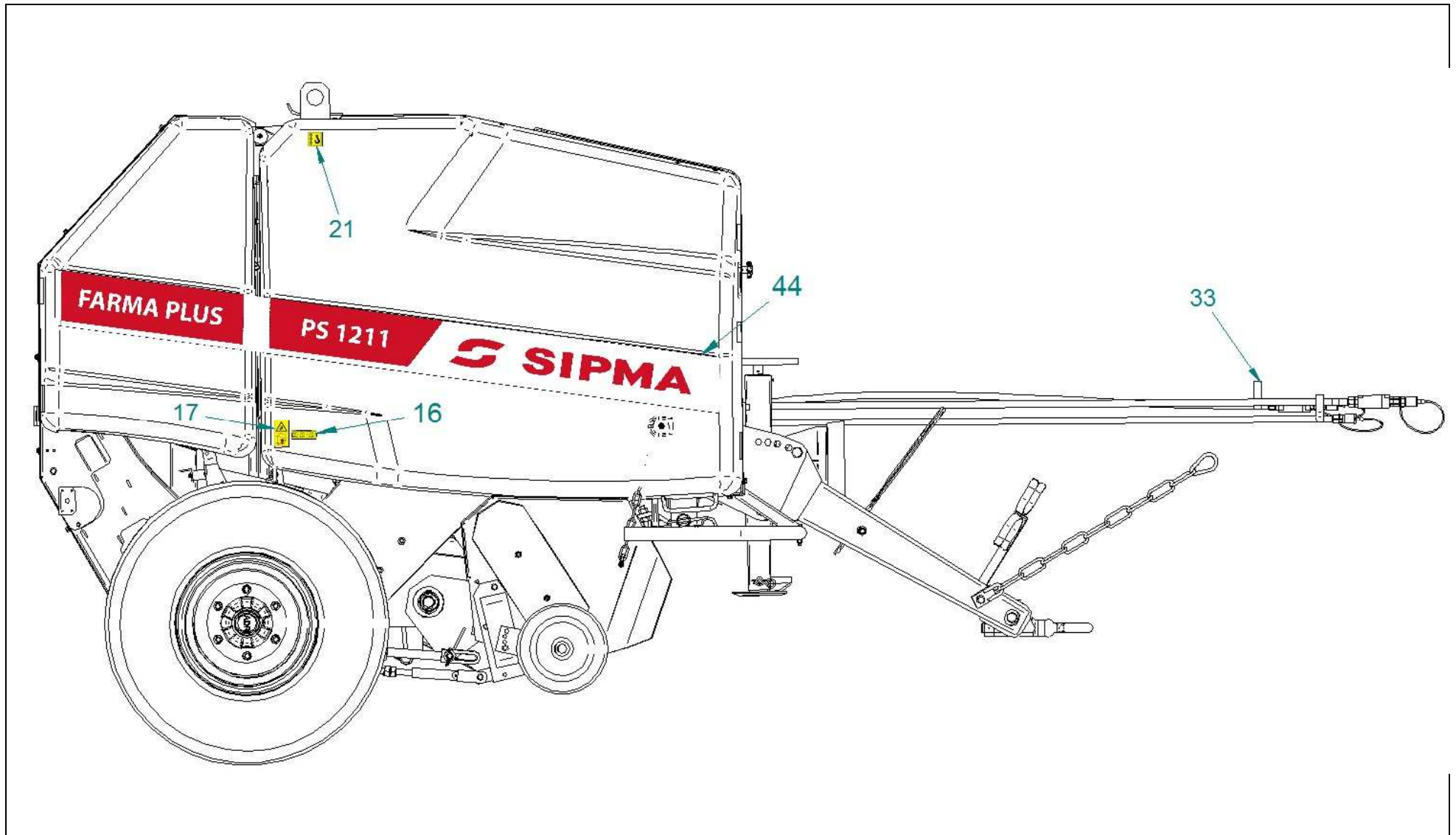
Table 40 Distribution bar assy 5270-160-820.00



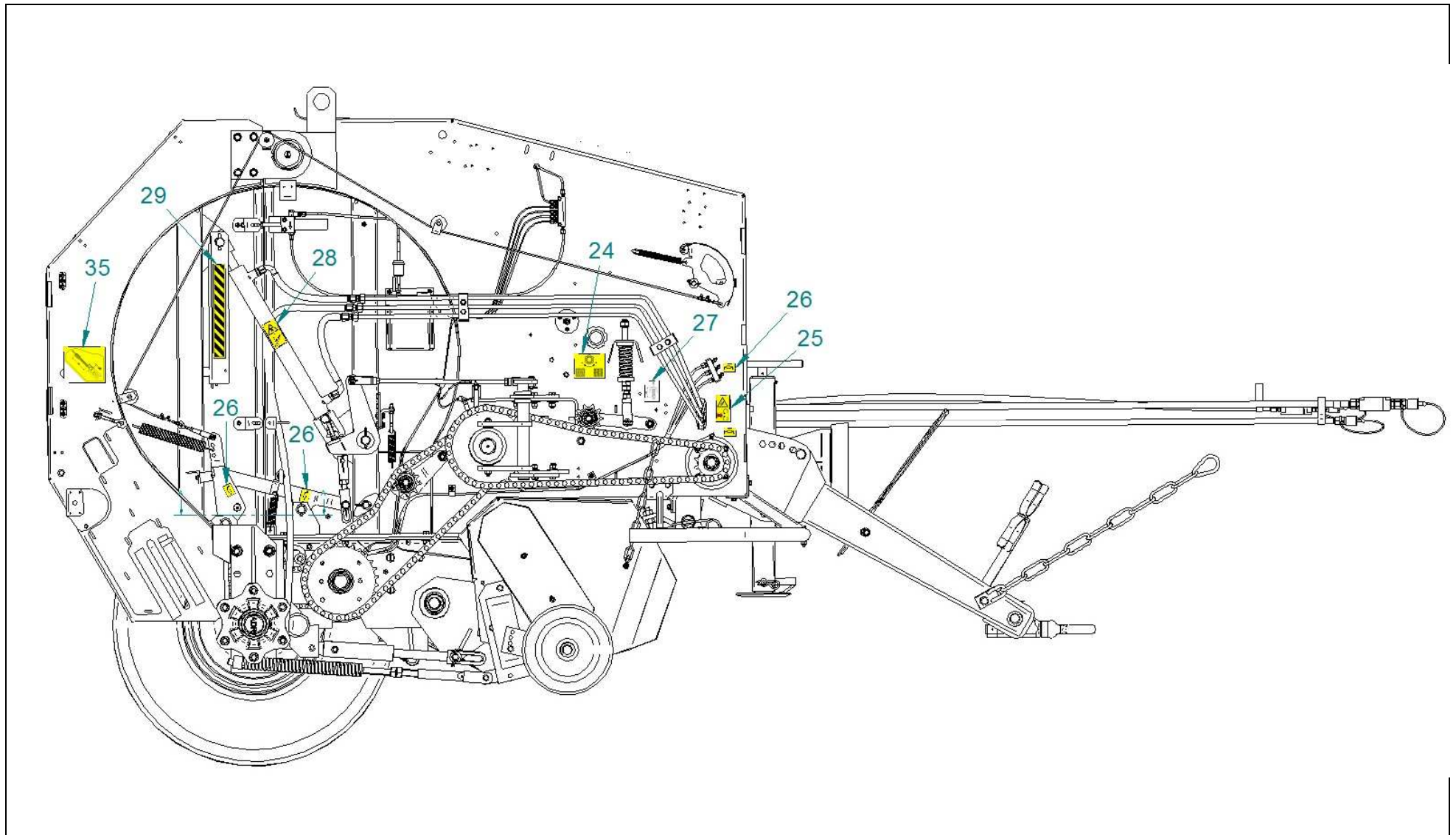
**Table 41 Paint layer 5279-170-500.20 (SIPMA PS 1211 FARMA PLUS)**



**Table 41 Paint layer 5279-170-500.20 (SIPMA PS 1211 FARMA PLUS)**



**Table 41 Paint layer 5279-170-500.20 (SIPMA PS 1211 FARMA PLUS)**



**Table 41 Paint layer 5279-170-500.20 (SIPMA PS 1211 FARMA PLUS)**

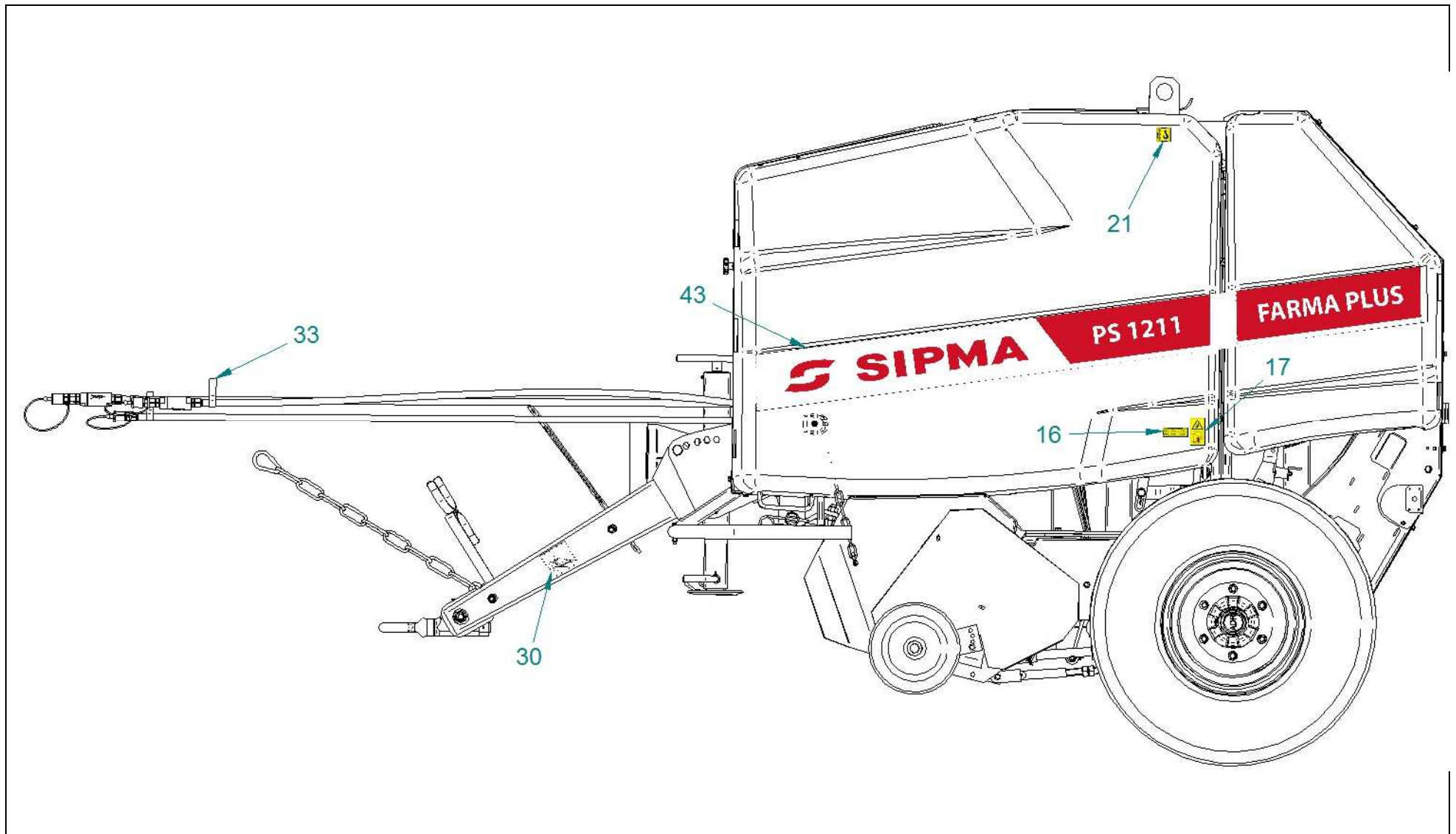


Table 41 Paint layer 5279-170-500.20 (SIPMA PS 1211 FARMA PLUS)

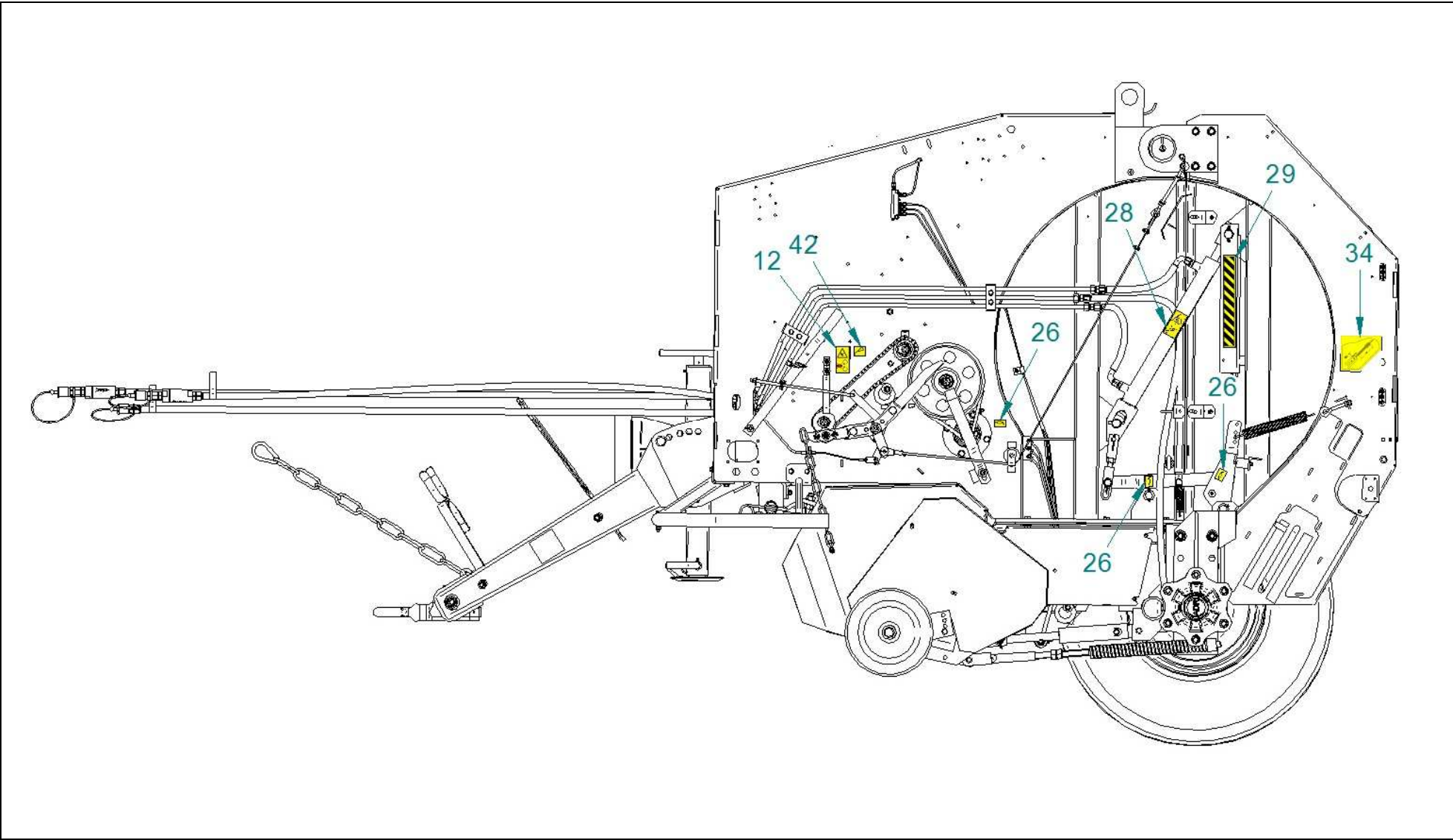
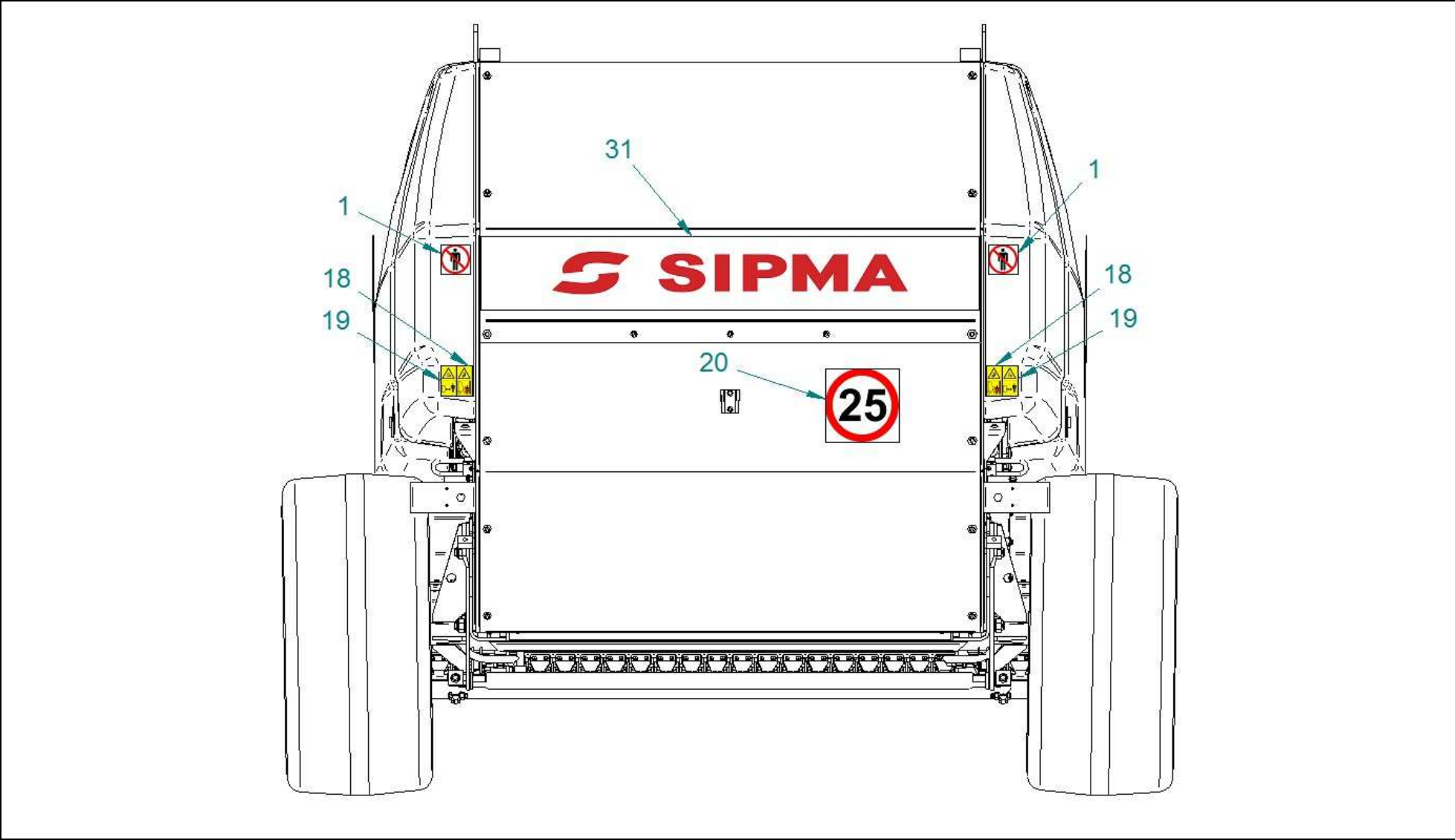




Table 41 Paint layer 5279-170-500.20 (SIPMA PS 1211 FARMA PLUS)



**Paint layer 5279-170-500.20 (SIPMA PS 1211 FARMA PLUS)**

**Table 41**

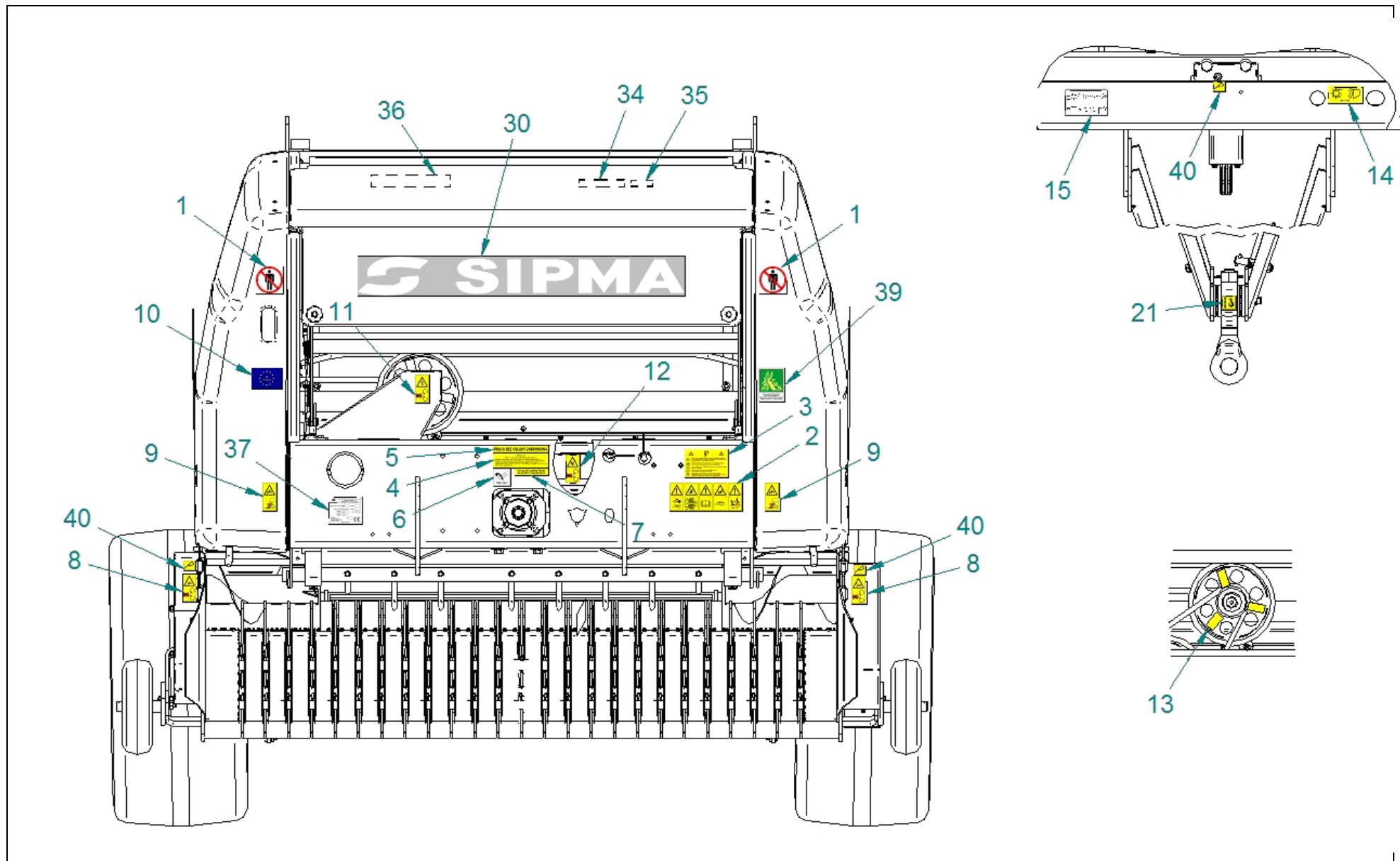
<b>No. in the Drawing</b>	<b>No. of diagram or standard</b>	<b>Name of part</b>	<b>Quantity</b>	<b>Comments</b>
1	5276-170-131.00	Label - no entry for persons	4	
2	5279-170-118.00	Summary label – hitching	1	
3	5276-170-225.11	Label - caution, consult instruction manual	1	
4	5276-170-122.01	Warning label	1	
5	5270-170-105.00	Warning label	1	
6	5276-170-123.01	Label - shaft 540 rev/min	1	
7	5276-170-124.00	Label - turn off PTO when cornering	1	
8	5276-170-133.01	Label - pickup - worm	2	
9	5276-170-132.01	Label - pickup - person	2	
10	5276-170-243.01	EU Product	1	
11	5276-170-137.01	Label - fingers - rollers	1	
12	5276-170-136.01	Label - hand- knife	2	
13	5276-170-109.00	Wrapping unit wheel label	3	
14	5276-170-221.10	Pickup control – rear frame label.	1	
15	5279-170-128.00	Driving path	1	
16	5276-170-153.02	Label – tire pressure	2	
17	5276-170-142.02	Label - rear frame falling	2	
18	5276-170-143.01	Label - rear frame opening	2	
19	7150-110-114.01	Label – bale unloading	2	
20	3050-100-100.01	Label „25“	1	
21	5276-170-148.01	Label – hook hitch	3	
22	5276-170-159.01	Indicator strip label	1	
23	5276-170-154.01	Indicator label	1	
24	5276-170-107.00	Label - wrapping density adjustment	1	

**Paint layer 5279-170-500.20 (SIPMA PS 1211 FARMA PLUS)**

**Table 41**

<b>No. in the Drawing</b>	<b>No. of diagram or standard</b>	<b>Name of part</b>	<b>Quantity</b>	<b>Comments</b>
25	5276-170-134.01	Label - hand- chain	1	
26	5276-170-161.01	Label - greasing points	9	
27	5279-170-127.01	Spring tension	1	
28	5276-170-145.01	Cylinder guard	2	
29	5276-170-146.00	Label - strips next to the cylinder	2	
30	5223-100-200.10	Label „B“	1	
31	5279-170-122.00	SIPMA label	1	
32	5279-170-121.00	White label SIPMA	1	
33	7150-110-120.00	Label for wires	3	
34	5276-170-276.10	Label - baling chain adjustment - left	1	
35	5276-170-277.10	Label - baling chain adjustment - right	1	
36	5276-170-104.10	Label - twine info	1	
37	5276-170-118.20	Label – reeving the net	1	
38	5270-170-102.10	Decal III	1	
39	5279-170-132.02	Name plate	1	
41	5374-100-318.00	Safety mark of KRUS	1	
42	5276-170-160.01	Label - oiling point	2	
43	5279-170-123.10	Label PS 1211 FARMA L	1	
44	5279-170-124.10	Label PS 1211 FARMA R	1	

**Table 42 Paint layer 5279-170-600.10 (SIPMA PS 1210 CLASSIC)**



**Table 42 Paint layer 5279-170-600.10 (SIPMA PS 1210 CLASSIC)**

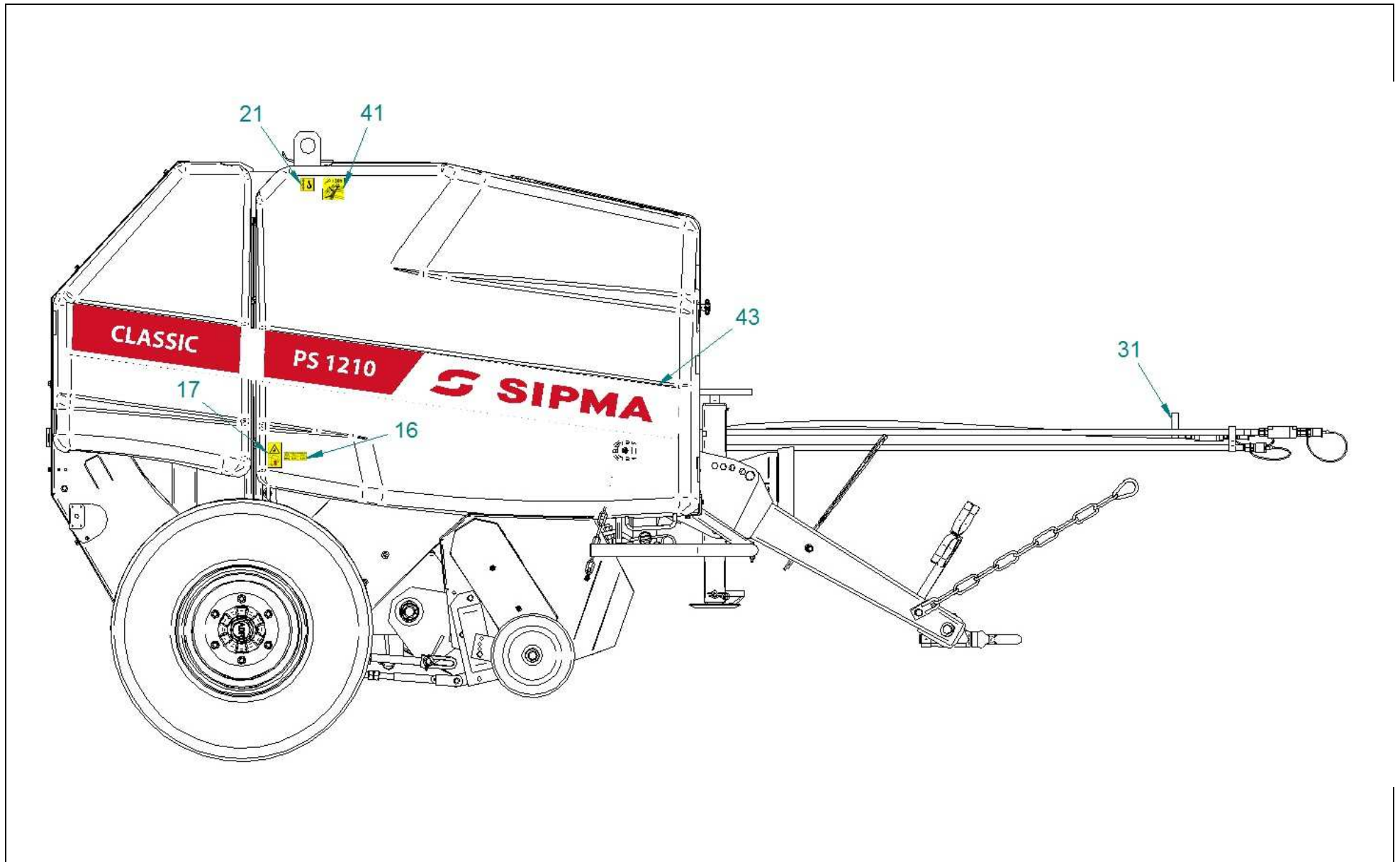
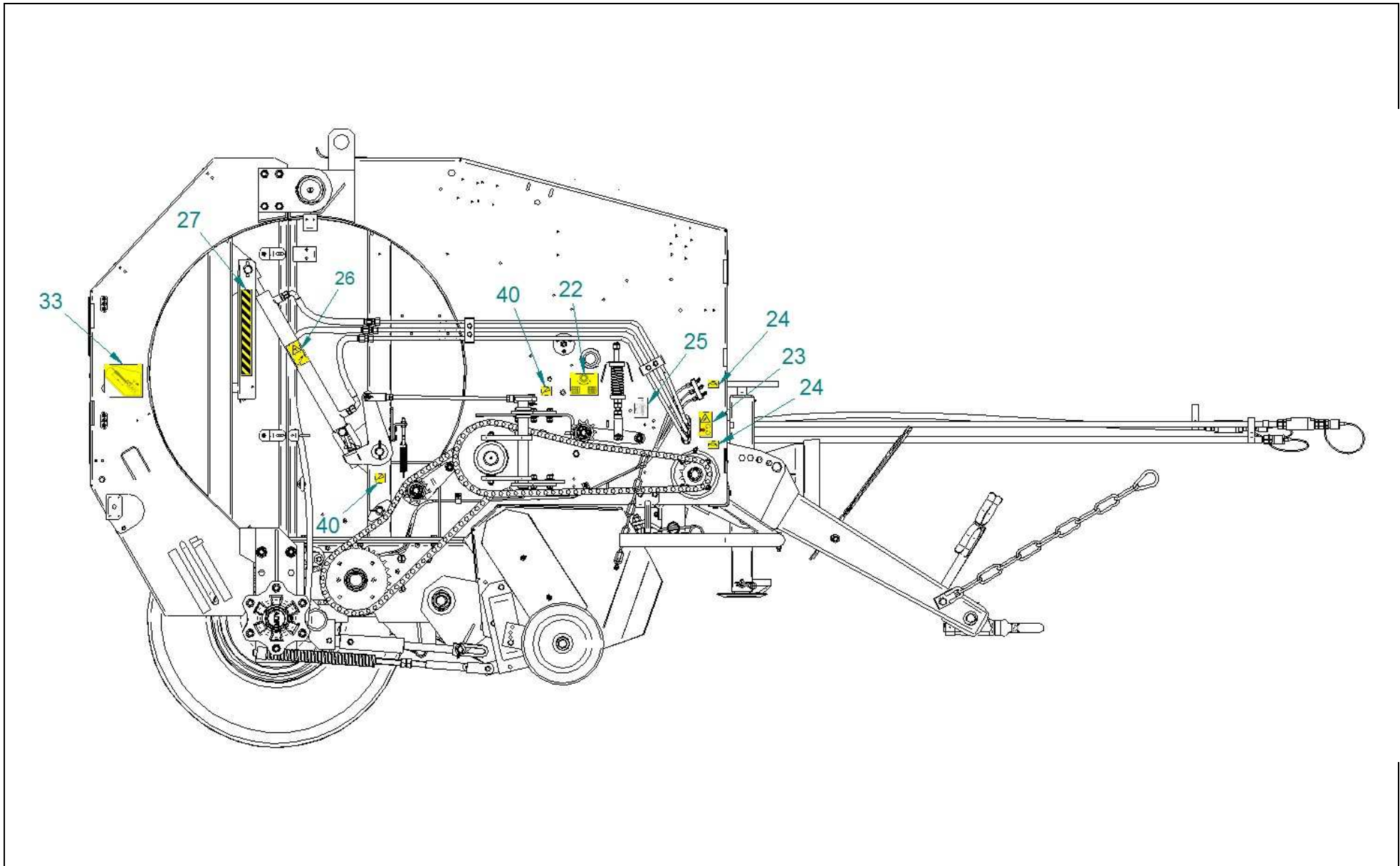


Table 42 Paint layer 5279-170-600.10 (SIPMA PS 1210 CLASSIC)



**Table 42** Paint layer 5279-170-600.10 (SIPMA PS 1210 CLASSIC)

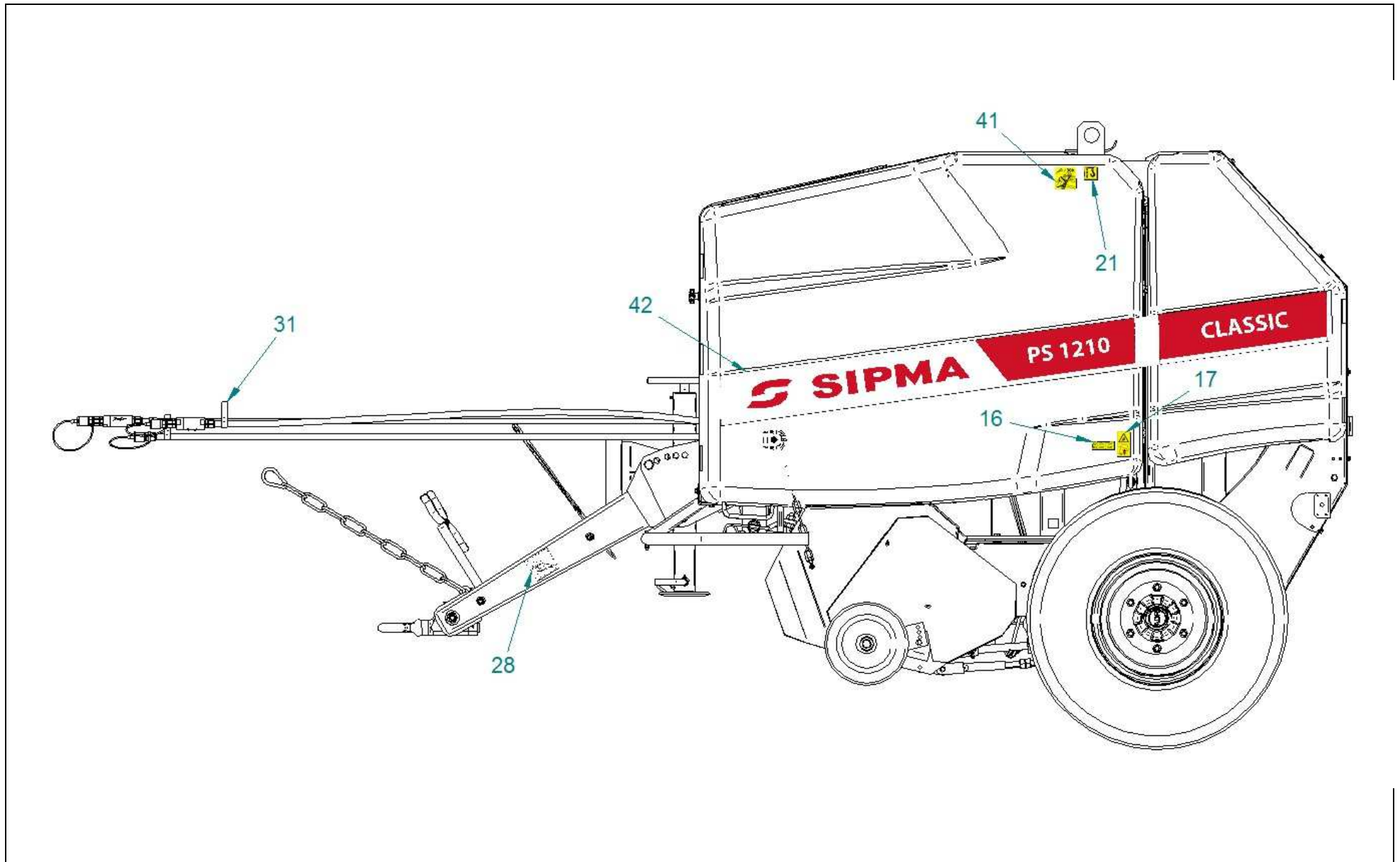


Table 42 Paint layer 5279-170-600.10 (SIPMA PS 1210 CLASSIC)

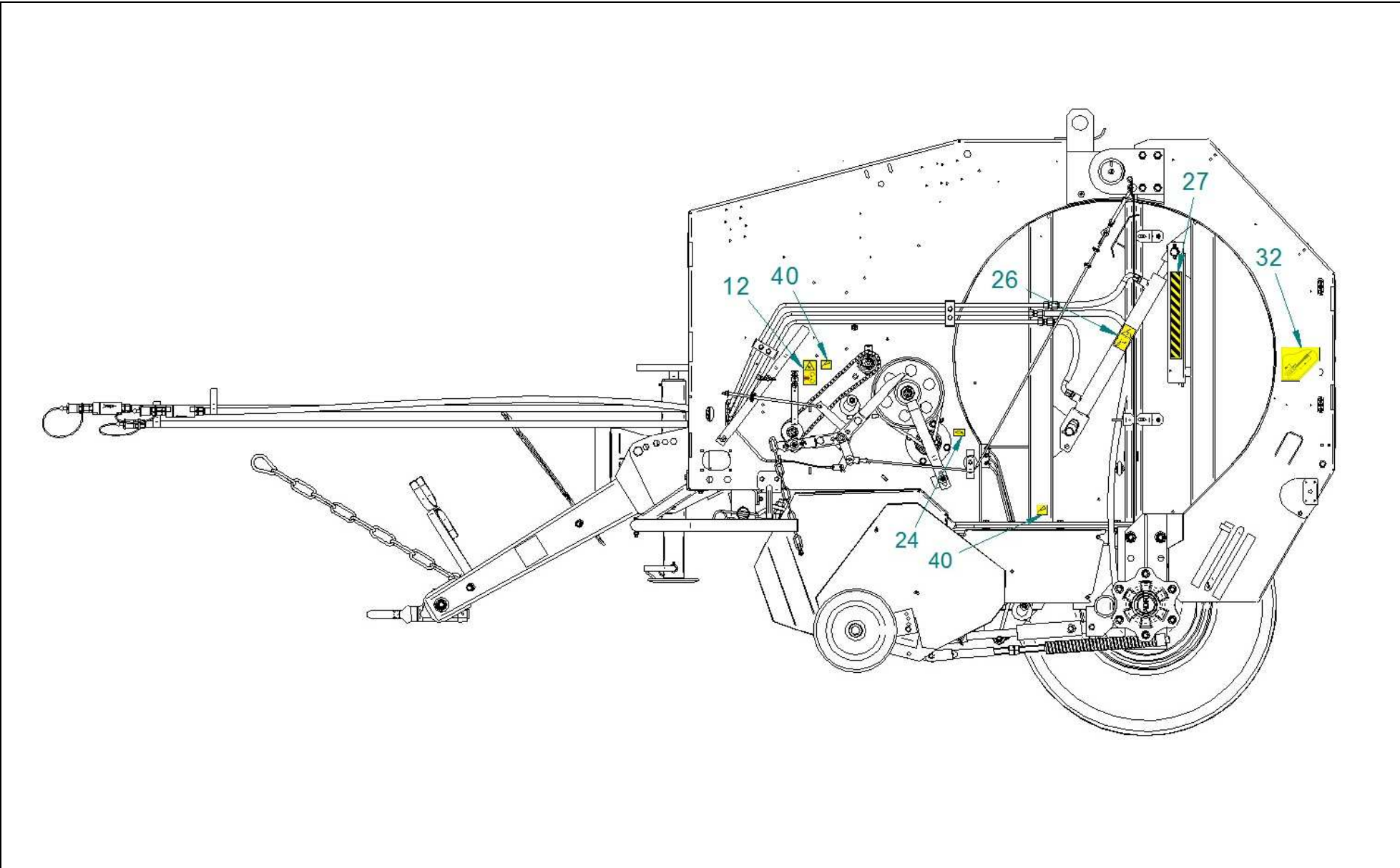
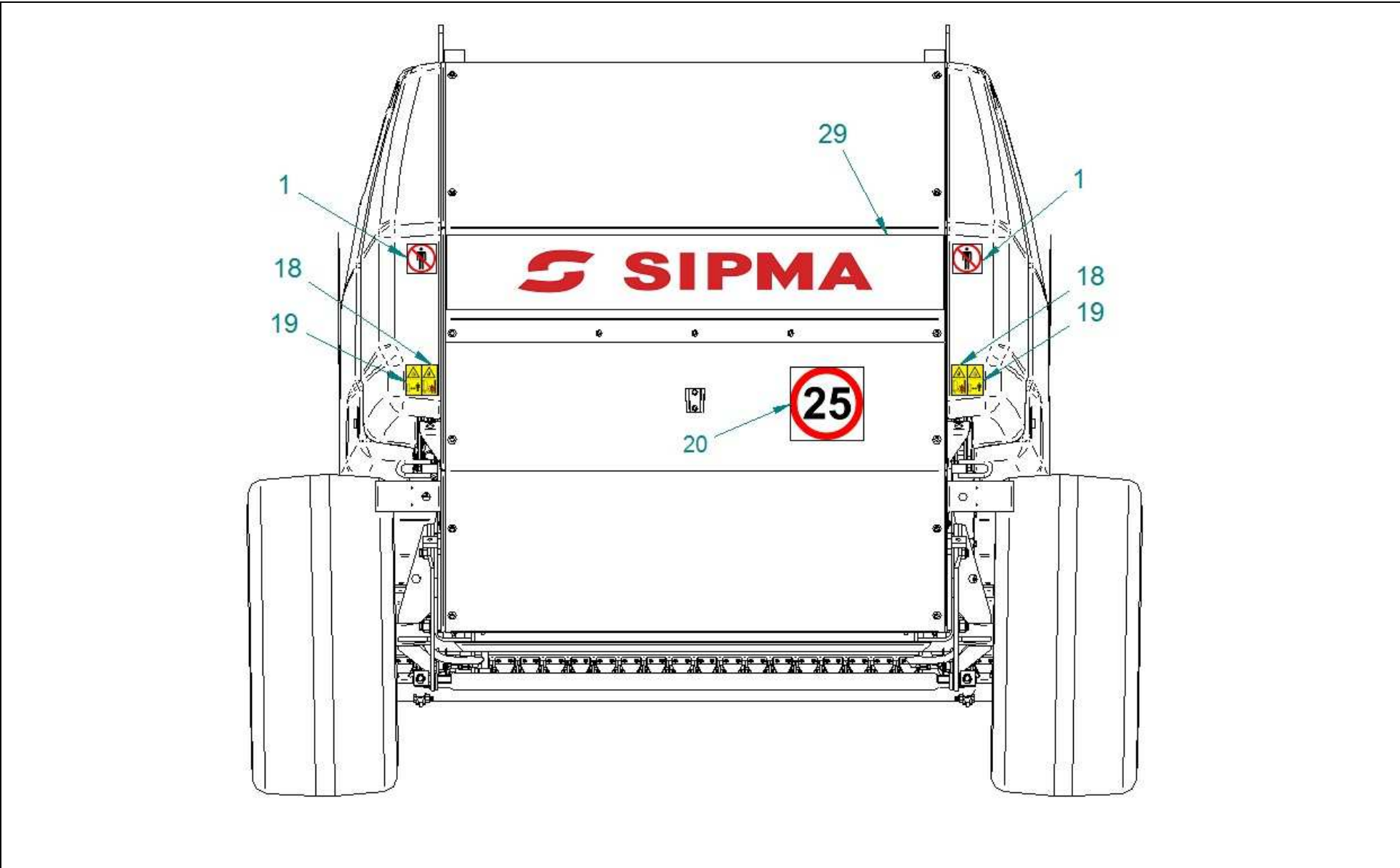




Table 42 Paint layer 5279-170-600.10 (SIPMA PS 1210 CLASSIC)



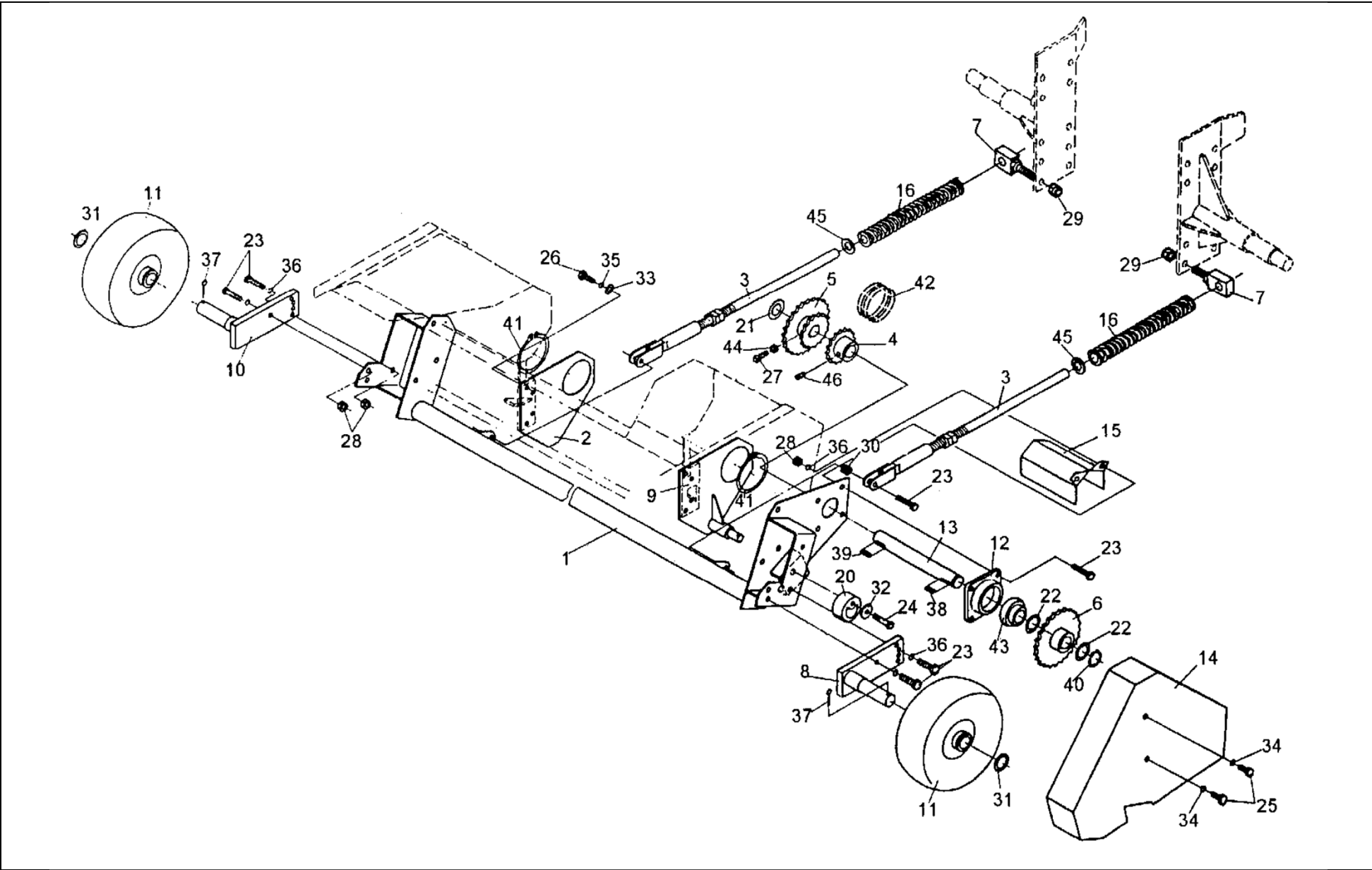
No. in the Drawing	No. of diagram or standard	Name of part	Quantity	Comments
1	5276-170-131.00	Label - no entry for persons	4	
2	5279-170-118.00	Summary label – hitching	1	
3	5276-170-225.11	Label - caution, consult instruction manual	1	
4	5276-170-122.01	Warning label	1	
5	5270-170-105.00	Warning label	1	
6	5276-170-123.01	Label - shaft 540 rev/min	1	
7	5276-170-124.00	Label - turn off PTO when cornering	1	
8	5276-170-133.01	Label - pickup - worm	2	
9	5276-170-132.01	Label - pickup - person	2	
10	5276-170-243.01	EU Product	1	
11	5276-170-137.01	Label - fingers - rollers	1	
12	5276-170-136.01	Label - hand- knife	2	
13	5276-170-109.00	Wrapping unit wheel label	3	
14	5276-170-221.10	Pickup control – rear frame label.	1	
15	5279-170-128.00	Driving path	1	
16	5276-170-153.02	Label – tire pressure	2	
17	5276-170-142.02	Label - rear frame falling	2	
18	5276-170-143.01	Label - rear frame opening	2	
19	7150-110-114.01	Label – bale unloading	2	
20	3050-100-100.01	Label 25	1	
21	5276-170-148.01	Label – hook hitch	3	
22	5276-170-107.00	Label - wrapping density adjustment	1	
23	5276-170-134.01	Label - hand- chain	1	
24	5276-170-161.01	Label - greasing points	3	

**Paint layer 5279-170-600.10 (SIPMA PS 1210 CLASSIC)**

**Table 42**

<b>No. in the Drawing</b>	<b>No. of diagram or standard</b>	<b>Name of part</b>	<b>Quantity</b>	<b>Comments</b>
25	5279-170-127.01	Spring tension	1	
26	5276-170-145.01	Cylinder guard	2	
27	5276-170-146.00	Label - strips next to the cylinder	2	
28	5223-100-200.10	Label „B“	1	
29	5279-170-122.00	SIPMA label	1	
30	5279-170-121.00	White label SIPMA	1	
31	7150-110-120.00	Label for wires	3	
32	5276-170-276.10	Label - baling chain adjustment - left	1	
33	5276-170-277.10	Label - baling chain adjustment - right	1	
34	5276-170-104.10	Label - twine info	1	
35	5276-170-118.20	Label – reeving the net	1	
36	5270-170-102.10	Decal III	1	
37	5279-170-131.02	Name plate	1	
39	5374-100-318.00	Safety mark of KRUS	1	
40	5276-170-160.01	Label - oiling point	7	
41	5276-170-128.10	Label - baling chain lubrication	2	
42	5279-170-125.10	Label PS 1210 CLASSIC L	1	
43	5279-170-126.10	Label PS 1210 CLASSIC R	1	

Table 43 Pickup frame 5276-200-510.12



Pickup frame 5276-200-510.12

Table 43

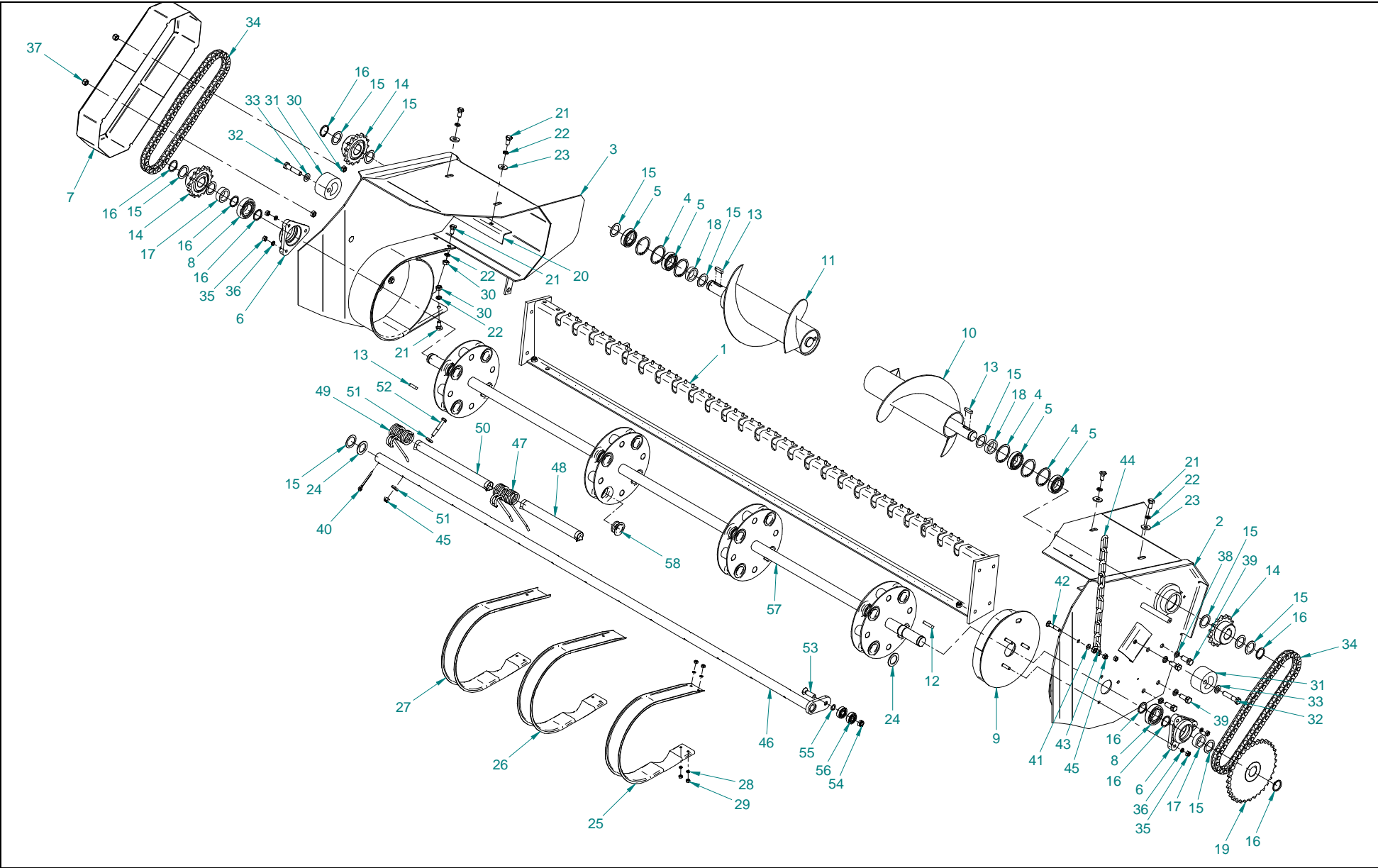
No. in the Drawing	No. of diagram or standard	Name of part	Quantity	Comments
1	5276-200-650.10	Pickup frame	1	
2	5276-200-670.11	Right sheet metal assy	1	
3	5276-200-680.00	Spring guide	2	
4	5276-200-690.01	Wheel z=16 assy	1	
5	5276-200-700.00	Double wheel II	1	
6	5276-200-710.00	Wheel z-16 assy	1	
7	5276-200-720.02	Block assy	2	
8	5276-200-740.00	Arm assy, left	1	
9	5276-200-750.11	Left sheet metal assy	1	
10	5270-100-570.01	Arm, right, welded	1	
11	1322-160-730.10	Sheet-iron wheel assy	2	
12	5276-200-001.00	Mounting K-207	1	
13	5276-200-148.01	Drive shaft	1	
14	5276-200-149.05	Left guard	1	
15	5276-200-163.02	Shaft guard	1	
16	5270-070-178.00	Spring	2	
20	2010-060-144.00	Tension roller	1	
21	089-000712-0.286	Washer 35x45x0.3	2	
22	089-000712-0.293	Washer 35x45x1	2	
23	PN-85/M-82101	M12x45-8.8-B-Fe/Zn8 bolt	10	
24	PN-85/M-82101	M12x55-8.8-B Fe/Zn8 bolt	3	
25	PN-85/M-82105	M8x16-8.8-B-Fe/Zn8 bolt	2	
26	PN-85/M-82105	M10x30-8.8-B-Fe/Zn8 bolt	8	
27	PN-87/M-82305	Pressure bolt M8x25-33H-Fe/Zn8	1	

Pickup frame 5276-200-510.12

Table 43

No. in the Drawing	No. of diagram or standard	Name of part	Quantity	Comments
28	PN-86/M-82144	Nut M12-8-B-Fe/Zn8	8	
29	PN-85/M-82175	Self-locking nut M20-8-B-Fe/Zn8	2	
30	PN-85/M-82175	Self-locking nut M12-8-B-Fe/Zn8	2	
31	PN-91/M-82004	Washer 30 Fe/Zn8	2	
32	PN-78/M-82005	Washer 13 Fe/Zn8	1	
33	PN-78/M-82005	Washer 10.5 Fe/Zn8	8	
34	PN-77/M-82008	Spring washer Z 8.2 Fe/Zn8	2	
35	PN-77/M-82008	Spring washer Z 10.2 Fe/Zn8	8	
36	PN-77/M-82008	Spring washer Z 12.2 Fe/Zn8	8	
37	PN-76/M-82001	Cotter pin S-Zn 6.3x50	2	
38	PN-70/M-85005	Prismatic inlet A10x8x32	1	
39	PN-70/M-85005	Prismatic inlet A10x9x36	1	
40	PN-81/M-85111	Circlip Z 35	1	
41	PN-81/M-85111	Circlip Z 95	2	
42	PN-77/M-84168	Chain 12B-2-16PS	1	
43	PN-73/M-86120	Ball bearing of the baler D-207	1	
44	PN-86/M-82144	Nut M8-8-B-Fe/Zn8	1	
45	PN-91/M-82004	Washer 20 Fe/Zn8	2	
46	PN-62/M-82272	Set screw M8x10-14H-Fe/Zn8	1	

Table 44 Pickup 5276-200-520.10



## Pickup 5276-200-520.10

Table 44

No. in the Drawing	No. of diagram or standard	Name of part	Quantity	Comments
1	5276-200-530.10	Girder assy, welded	1	
2	5276-200-540.10	Left side, wld	1	
3	5276-200-570.10	Right side, wld	1	
4	PN-M-85111	Circlip W 55	6	
5	PN-M-86100	Bearing 6006-2RS	4	
6	5270-100-134.01	Mounting II	2	
7	5276-200-730.01	Right guard	1	
8	PN-M-86100	Bearing 6206-2RS	2	
9	5270-100-630.00	Cam disc	1	
10	5276-200-610.01	Left worm, welded	1	
11	5276-200.620.01	Right worm, welded	1	
12	PN-M-85005	Prismatic inlet A8x7x40	1	
13	PN-M-85005	Prismatic inlet A8x7x30	3	
14	5276-200-630.00	Wheel z=15 assy (t=19.05)	3	
15	089-000712-0.273	Washer	18	
16	PN-M-85111	Circlip Z 30	8	
17	5276-200-130.00	Spacer sleeve II	2	
18	5276-200-129.00	Spacer sleeve I	2	
19	5276-200-640.01	Double wheel I	1	
20	5276-200-760.00	Angle bar, welded	2	
21	PN-M-82105	M10x20-8.8-B-Fe/Zn8 bolt	12	
22	PN-M-82008	Spring washer Z 10.2 Fe/Zn8	12	
23	PN-M-82030	Round washer 10.5	4	
24	5276-200-158.00	Washer 28x42x2	8	
25	5276-200-131.00	Guard I	8	
26	5276-200-132.00	Guard II	4	
27	5270-100-130.00	Guard	12	
28	PN-M-82008	Spring washer Z 6.1 Fe/Zn8	96	
29	PN-M-82144	Nut M6-8-B-Fe/Zn8	96	
30	PN-M-82144	Nut M10-8-B-Fe/Zn8	10	

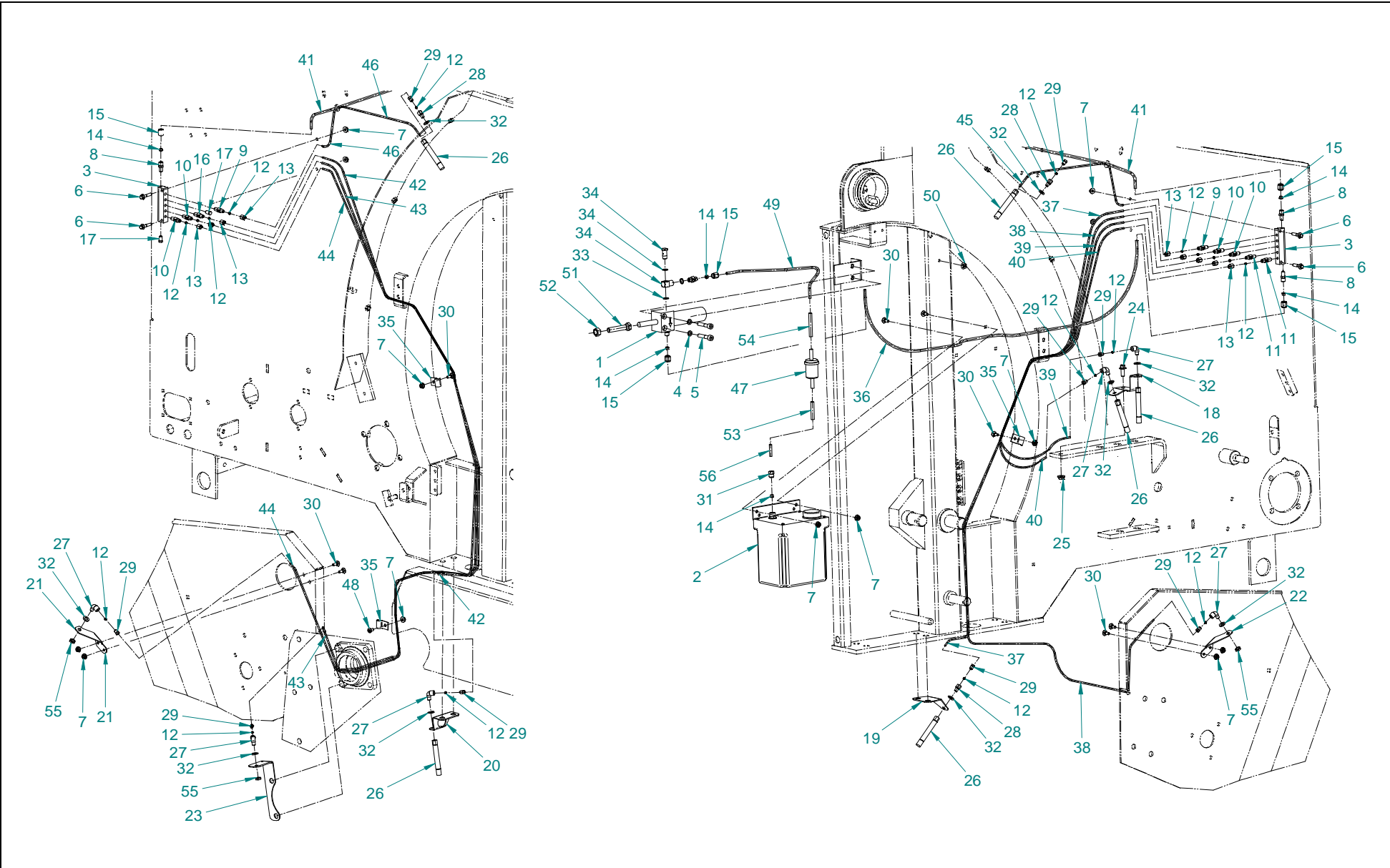


## Pickup 5276-200-520.10

Table 44

No. in the Drawing	No. of diagram or standard	Name of part	Quantity	Comments
31	2010-060-144.00	Tension roller	2	
32	PN-M-82101	Bolt M12x55-8.8-B Fe/Zn8	2	
33	PN-M-82005	Washer 13	2	
34	PN-77/M-84168	Chain 12B-48PS	2	
35	PN-M-82144	Nut M8-8-B-Fe/Zn8	6	
36	PN-M-82008	Spring washer Z 8.2 Fe/Zn8	6	
37	PN-M-82175	Self-locking nut M10-8-B-Fe/Zn8	2	
38	PN-M-82008	Spring washer Z 12.2 Fe/Zn8	8	
39	PN-M-82105	M12x30-8.8-B-Fe/Zn8 bolt	8	
40	PN-M-82001	Cotter pin S-Zn 5x45	4	
41	PN-M-82005	Washer 8.4 Fe/Zn8	2	
42	PN-M-82406	Bolt M8x45-8.8-B	2	
43	PN-W-89180	Shackle M-DW 0.25	2	
44	PN-75/M-84543	Link chain 6	2	
45	PN-M-82175	Self-locking nut M8-8-B Fe/Zn8	54	
46	5276-200-600.01	Control bar, welded	4	
47	5270-100-131.00	Finger of the pick-up	48	
48	5270-100-137.00	Tube I	20	
49	5270-100-132.00	Single finger of the pick-up	4	
50	5270-100-138.00	Tube II	4	
51	089-000710-0.104	Washer 9x22x4	104	
52	PN-M-82101	Bolt M8x55-8.8-B	52	
53	PN-M-82207	M12x40-8.8-B Fe-Zn8 Screw	4	
54	5270-100-141.00	Guide beam nut	4	
55	089-000712-0.053	Washer	4	
56		Bearing 361201	8	
57	5276-200-590.00	Pick-up shaft assy	1	
58	5270-100-136.01	Bushing	32	

Table 45 Chain lubrication system 5279-231-500.01



**Chain lubrication system 5279-231-500.01**

**Table 45**

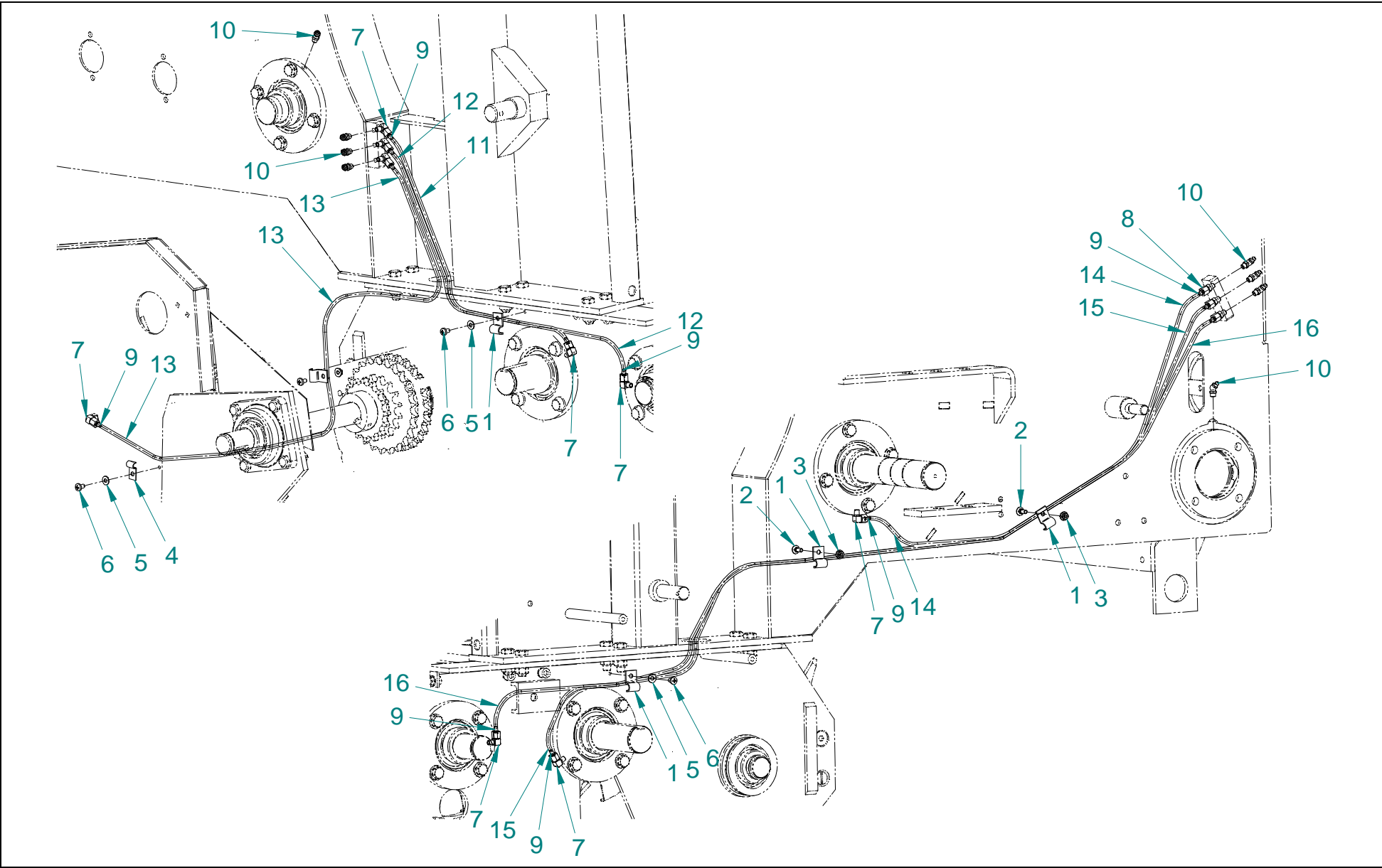
<b>No. in the Drawing</b>	<b>No. of diagram or standard</b>	<b>Name of part</b>	<b>Quantity</b>	<b>Comments</b>
1	ILc 00.644.0	Piston pump PS7	1	
2	ILc 00.646.0	Tank V=2dm <sup>3</sup>	1	
3	ILc 01.070.0	5-way manifold	2	
4	PN-M-82008	Spring washer Z 8.2 R3J	2	
5	PN-EN ISO 4762	Bolt M 8 x 45-8.8-R3J	2	
6	PN-EN 1662	Bolt M6 x 30 - 8.8 - R3J	4	
7	TENSILOCK	Nut M6	13	
8	ILc 17.516.0	Coupling 5/16" - M10x1	3	
9	ILc 02.004.8	Q8 proportioner	2	
10	ILc 02.004.0	Q0 proportioner	4	
11	ILc 02.004.4	Q4 proportioner	2	
12	ILc 06.002.0	D4 barrel	18	
13	ILc 04.001.0	Nut 5/16" D4	9	
14	ILc 06.052.0	Bushing D6	6	
15	ILc 04.072.0	Nut M10x1 D6	5	
16	ILc 02.004.1	Q1 proportioner	1	
17	ILc 05.001.0	Plug 5/16"	2	
18	5569-231-101.00	Brush mounting plate II	1	
19	5569-231-102.00	Brush mounting plate III	1	
20	5569-231-103.00	Brush mounting plate IV	1	
21	5569-231-104.00	Brush mounting plate V	1	
22	5569-231-105.00	Brush mounting plate VI	1	
23	5569-231-106.00	Brush mounting plate VII	1	
24	PN-EN 1662	Bolt M8 x 20 - 8.8 - R3J	1	
25	TENSILOCK	Nut M8	1	
26	ILc 14.000.2	Brush assy	6	
27	ILc 03.601.2	Elbow coupling	6	
28	ILc 03.202.3	Coupling StM 8x1 - 5/16"	3	
29	ILc 04.102.0	Coupling 5/16" D4	9	

**Chain lubrication system 5279-231-500.01**

**Table 45**

<b>No. in the Drawing</b>	<b>No. of diagram or standard</b>	<b>Name of part</b>	<b>Quantity</b>	<b>Comments</b>
30	PN-M-82406	M6x16-8.8-B-R3J bolt	8	
31	ILc 04.053.0	Coupling M12x1 D6	1	
32	PN-EN ISO 7091	Washer 8 - R3J	9	
33	ILc A77.131002	Copper seal 10.2x14x1.5	1	
34	ILc 03.350.0	Angle connector	1	
35	089-002550-0.096	Holder	3	
36	ILc 30.120.0	Hose PA6 D6x4x1050	1	
37	ILc 30.100.0	Hose PA6 D4x2.5x1360	1	
38	ILc 30.100.0	Hose PA6 D4x2.5x2160	1	
39	ILc 30.100.0	Hose PA6 D4x2.5x910	1	
40	ILc 30.100.0	Hose PA6 D4x2.5x830	1	
41	ILc 30.120.0	Hose PA6 D6x4x1670	1	
42	ILc 30.100.0	Hose PA6 D4x2.5x1370	1	
43	ILc 30.100.0	Hose PA6 D4x2.5x2060	1	
44	ILc 30.100.0	Hose PA6 D4x2.5x2200	1	
45	ILc 30.100.0	Hose PA6 D4x2.5x430	1	
46	ILc 30.100.0	Hose PA6 D4x2.5x430	1	
47	ILc 07.000.2	Filter	1	
48	PN-EN ISO 7045	M6x10-4.8-H-R3J screw	1	
49	ILc 30.120.0	Hose PA6 D6x4x350	1	
50		Strap (tie) fixture SR 1720 - 462716	1	
51	PN-EN ISO 4017	Bolt M12 x 60 - 8.8 - R3J	1	
52	PN-EN ISO 4032	Nut M12 - 8 - R3J	1	
53		Igelit hose D8x1.5x60	1	
54		Igelit hose D8x1.5x60	1	
55	PN-EN ISO 8675	Nut M8 x 1 - 8 - R3J	3	
56	ILc 30.120.0	Hose PA6 D6x4x40	1	

Table 46 Grouped lubrication 5279-250-500.01

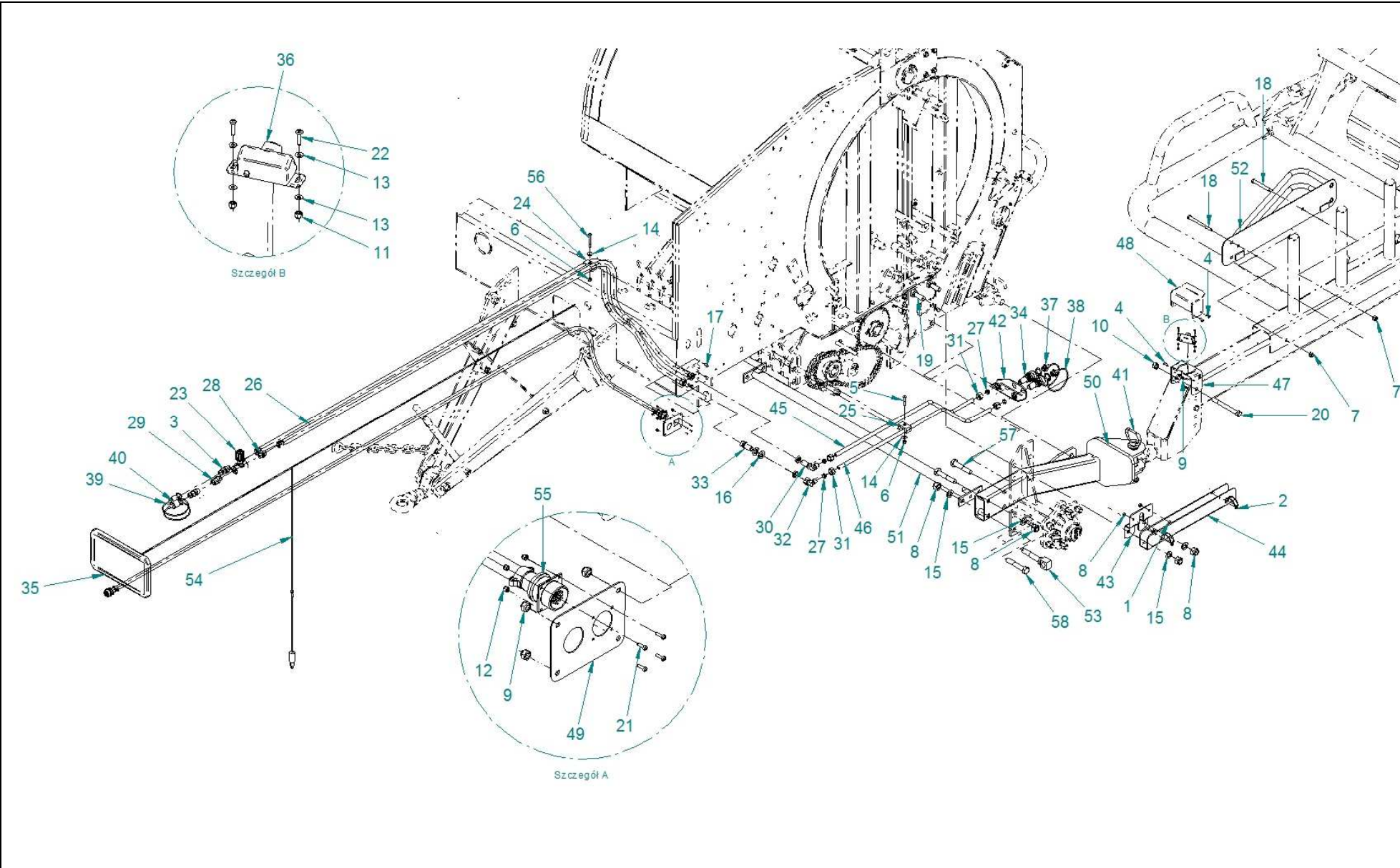


**Grouped lubrication 5279-250-500.01**

**Table 46**

<b>No. in the Drawing</b>	<b>No. of diagram or standard</b>	<b>Name of part</b>	<b>Quantity</b>	<b>Comments</b>
1	089-002550-0.096	Holder	4	
2	PN-M-82406	M6x16-8.8-B-R3J bolt	2	
3	TENSILOCK	Nut M6	2	
4	089-002550-0.062	Holder	1	
5	NFE 25-511	Counter washer 6 M	3	
6	PN-M-82202	Screw H M6x10-8.8-B Fe/Zn8	3	
7		Angle connector 406 435	9	
8		Straight connector 406 433	3	
9		Reinforcing insert A89	12	
10	PN-M-86003	Lubricating nipple StM8x1/45	8	
11	WVN 715-RO cat. Voith	Hose 6x1.25x560	1	
12	WVN 715-RO cat. Voith	Hose 6x1.25x700	1	
13	WVN 715-RO cat. Voith	Hose 6x1.25x1230	1	
14	WVN 715-RO cat. Voith	Hose 6x1.25x820	1	
15	WVN 715-RO cat. Voith	Hose 6x1.25x1580	1	
16	WVN 715-RO cat. Voith	Hose 6x1.25x1630	1	

Table 47 Coupling assy 5279-260-500.00



## Coupling assy 5279-260-500.00

Table 47

No. in the Drawing	No. of diagram or standard	Name of part	Quantity	Comments
1	0653-134-041ZN	Bolt M8 x 20 - 8.8 - A3L	2	
2	A-0072	Cotter pin 8x60 A3L	2	
3	0643-420-019	Quick release coupling connector M22x1.5	2	
4	0653-132-047ZN	Bolt M 6 x 16 - 8.8 - A3L	3	
5	0653-135-240ZN	Bolt M8 x 45 - 8.8 - A3L	1	
6	0653-156-014ZN	Self-locking nut M8- 8- A3L	4	
7	0653-156-015ZN	Self-locking nut M12 - 8 - A3L	2	
8	0653-156-016ZN	Self-locking nut M20 - 8 - A3L	6	
9	0653-156-018ZN	Self-locking nut M6 - 8 - A3L	7	
10	0653-156-019ZN	Self-locking nut M16 - 8 - A3L	1	
11	0653-156-023ZN	Self-locking nut M4 - 8 - A3L	2	
12	0653-156-052ZN	Self-locking nut M3 - 8 - A3L	4	
13	0653-181-010ZN	Washer - 4 - A3L	4	
14	0653-182-021ZN	Washer 8 - A3L	2	
15	0653-183-054ZN	Washer 20 - A3L	6	
16	0653-184-004ZN	Washer 23 - A3L	2	
17	0653-312-006ZN	M6x16-8.8-B-A3L bolt	4	
18	0653-313-118ZN	Bolt M12 x 135 - 8.8 - A3L	2	
19	0653-314-071ZN	Bolt M20 x 55 - 8.8 - A3L	2	
20	0653-314-088ZN	Bolt M16 x 160 - 8.8 - A3L	1	
21	0653-331-053ZN	M3x10-4.8-H-A3L screw	4	
22	0653-331-054ZN	M4x16-4.8-H-A3L screw	2	
23	0829-406-251	Flow regulator DV-12-01.4_0	1	
24	0829-601-382	Double handle jaw HRZ2KP18-18PP	1	



## Coupling assy 5279-260-500.00

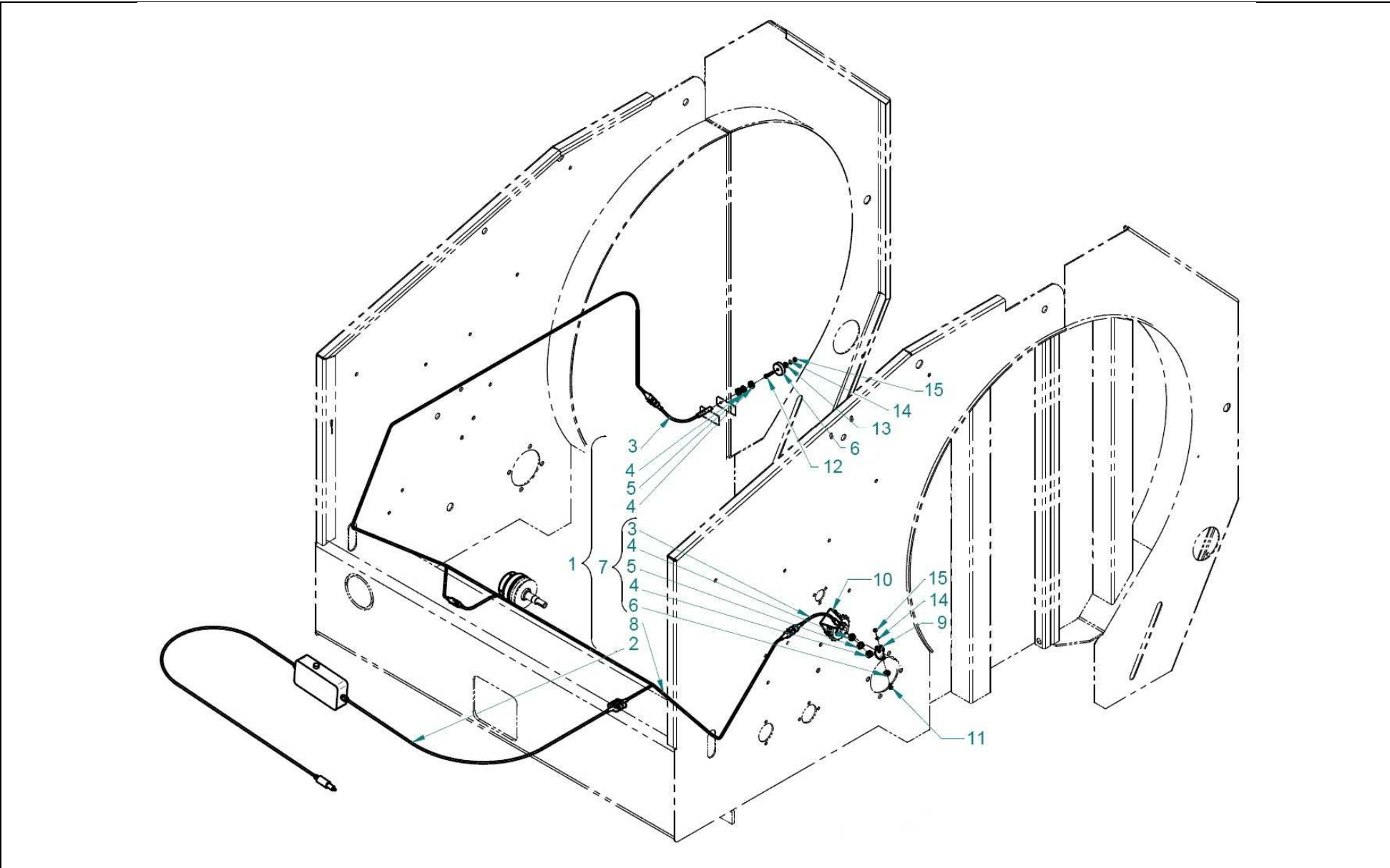
Table 47

No. in the Drawing	No. of diagram or standard	Name of part	Quantity	Comments
25	0829-601-524	Double handle jaw - HRZ2KP16-16PP	1	
26	0876-812-109	Hose AA-13-3000-22/22-18 MPa	2	
27	0876-821-117	Cutting ring - A421100-15-22B4	4	
28	0876-821-151	Straight connector 1/2" - M22x1.5 - A501106-15-08	1	
29	0876-821-176	Adjustable connector 1/2" - M22x1.5 - A520615-08-15	1	
30	0876-821-207	Elbow bulkhead coupling M22x1.5 - A561177-15-15	1	
31	0876-821-213	Nut M22x1.5 - A431100-15-22	4	
32	0876-821-215	Elbow adjustable coupling M22x1.5 -A581115-15-22	1	
33	0876-821-216	Straight bulkhead coupling M22x1.5 - A501177-15-15	1	
34	0879-600-035	Quick coupling socket M22x1.5 - CPV 08 5/2215 F	2	
35	0923-290-001	Monitor, LCD 7" HM 716	1	
36	1153-900-007	Reversing Camera DCV 5005	1	
37	1362-900-016	Socket cover - TM 12 L (blue)	1	
38	1362-900-018	Socket cover - TM 12 L/V (green)	1	
39	1362-900-024	Plug cover TF 12 V(green)	1	
40	1362-900-037	Plug cover TF 12 B(blue)	1	
41	1385-101032	Hitch pin 32mm with protection	1	
42	5279-260-100.00	Adapter	1	
43	5279-260-106.00	Hose guard handle	1	
44	5279-260-107.00	Hose guard	1	
45	5279-260-108.00	Hydraulic tube I	1	
46	5279-260-109.00	Hydraulic tube II	1	
47	5279-260-115.01	Camera support	1	
48	5279-260-116.00	Camera guard	1	

**Coupling assy 5279-260-500.00****Table 47**

<b>No. in the Drawing</b>	<b>No. of diagram or standard</b>	<b>Name of part</b>	<b>Quantity</b>	<b>Comments</b>
49	5279-260-117.00	Socket sheet metal	1	
50	5279-260-510.00	Coupling hitch	1	
51	5279-260-520.00	Rigidifying bar, welded	1	
52	5279-260-540.00	Welded guide	1	
53	5279-260-550.00	Block assy	1	
54	5279-260-600.00	Extension bundle	1	
55	5279-260-610.00	Wrapping machine bundle	1	
56	PN-EN ISO 4014	M 8 x 65 - 8.8 - A3L bolt	1	
57	PN-EN ISO 4014	Bolt M20 x 100 - 8.8 - A3L	2	
58	PN-EN ISO 4014	Bolt M20 x 110 - 8.8 - A3L	1	

Table 48 Control 5279-350-500.02



No. in the Drawing	No. of diagram or standard	Name of part	Quantity	Comments
1	5279-350-600.01	Control and signaling unit assy	1	
2	5279-350-700.01	Universal controller	1	
3		Sensor (with female connector AMP-0-282080-1)	2	
4	PN/M-82153	Nut M10- A4-80	4	
5	PN/M-82024	Toothed washer spring 10.5	2	
6		Magnet 15x4x5.5	1	
7	5599-150-590.00	Sensor assy	2	
8	5279-350-705.00	Wiring harness with plugs	1	
9	5279-161-109.00	Magnet mounting plate	1	Installed with net wrapping unit
10	5279-161-110.00	Sensor mounting plate	1	Installed with net wrapping unit
11	PN/M-82208	Screw H M4x12-4.8 Fe/Zn8	1	
12	PN/M-82208	Screw H M4x16-4.8 Fe/Zn8	1	
13	PN/M-82030	Round washer 4.3 Fe/Zn8	1	
14	PN/M-82008	Spring washer Z 4.1 Fe/Zn8	2	
15	PN/M-82144	Nut M4-8-B Fe/Zn8	1	