

# HakkiPilke BigX50

## SPARE PARTS MANUAL FOR LOG SPLITTER



*MAASELÄN KONE OY*

Valimotie 1, FI-85800 Haapajärvi, Finland

Tel. +358 (0)8 7727300, Fax +358 (0)8 7727320

[info@maaselankone.fi](mailto:info@maaselankone.fi)

[www.maaselankone.fi](http://www.maaselankone.fi)

# Table of contents:

1.1	Exploded view of the splitter (Combi, 47011) .....	4
1.2	Splitter parts list 1 (47011).....	5
1.3	Exploded view of the frame (47845).....	6
1.4	Frame (47845) parts list .....	7
1.5	Exploded view of the frame 2 .....	8
1.6	Frame spare parts list 2.....	9
1.7	Exploded view of the power transmission 1 (Combi model) .....	10
1.8	Power transmission (48259) parts list .....	10
1.9	Exploded view of the winch .....	11
1.10	Winch parts list .....	11
1.11	Exploded view of the power transmission 2 (Combi model) .....	12
1.12	Power transmission (47600) parts list (Combi model) .....	12
1.13	Exploded view of the power transmission (electrical).....	13
1.14	Power transmission 47608 parts list.....	13
1.15	Exploded view of the output conveyor bottom (47700) .....	14
1.16	Output conveyor bottom (47700) parts list.....	15
1.17	Exploded view of the output conveyor upper (47853).....	16
1.18	Output conveyor upper (47853) parts list .....	17
1.19	Exploded view of the output conveyor cylinder (left) .....	18
1.20	Output conveyor cylinder parts list .....	18
1.21	Exploded view of the output conveyor cylinder (right) .....	19
1.22	Output conveyor cylinder (47750) parts list .....	19
1.23	Exploded view of the output conveyor belt (47800) .....	20
1.24	Output conveyor belt (47800) parts list.....	20
1.25	Exploded view of the log holder .....	21
1.26	Log holder (47833) parts list .....	21
1.27	Exploded view of the dust collector (67000) .....	22

1.28 Dust collector (67000) parts list.....22

1.29 Exploded view of the wood press (47905).....23

1.30 Wood press (47905) parts list .....23

1.31 Exploded view of the valve mechanism (47813) .....24

1.32 Valve mechanism (47813) parts list .....25

1.33 Exploded view of the saw unit (47805).....26

1.34 Saw unit (47805) parts list .....26

1.35 Exploded view of the log guide (47773) .....27

1.36 Log guide (47773) parts list.....27

1.37 Exploded view of the splitting blade cylinder (47733).....28

1.38 Splitting blade cylinder (47733) parts list .....28

1.39 Exploded view of the splitting cylinder (larger) .....29

1.40 Splitting cylinder (47682) parts list .....29

1.41 Exploded view of the splitting cylinder (smaller).....30

1.42 Splitting cylinder (47459) parts list .....30

1.43 Wood press cylinder .....31

1.44 Wood press cylinder (47381) parts list .....31

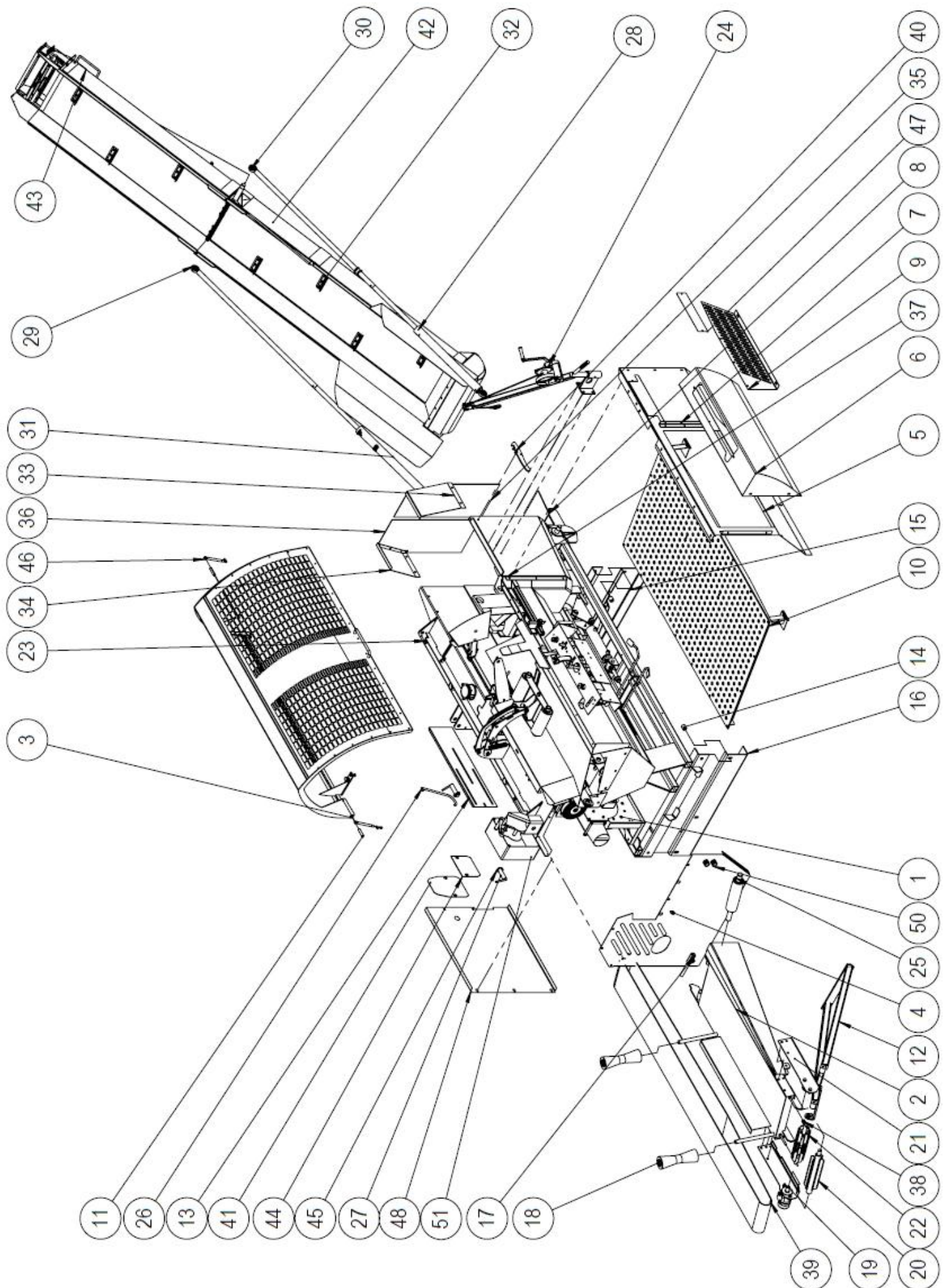
1.45 Cutting flange cylinder .....32

1.46 Cutting flange cylinder (10242) parts list.....32

1.47 Exploded view of the conveyor turning cylinder (47243).....33

1.48 Conveyor turning cylinder (47243) parts list .....33

# 1.1 Exploded view of the splitter (Combi, 47011)

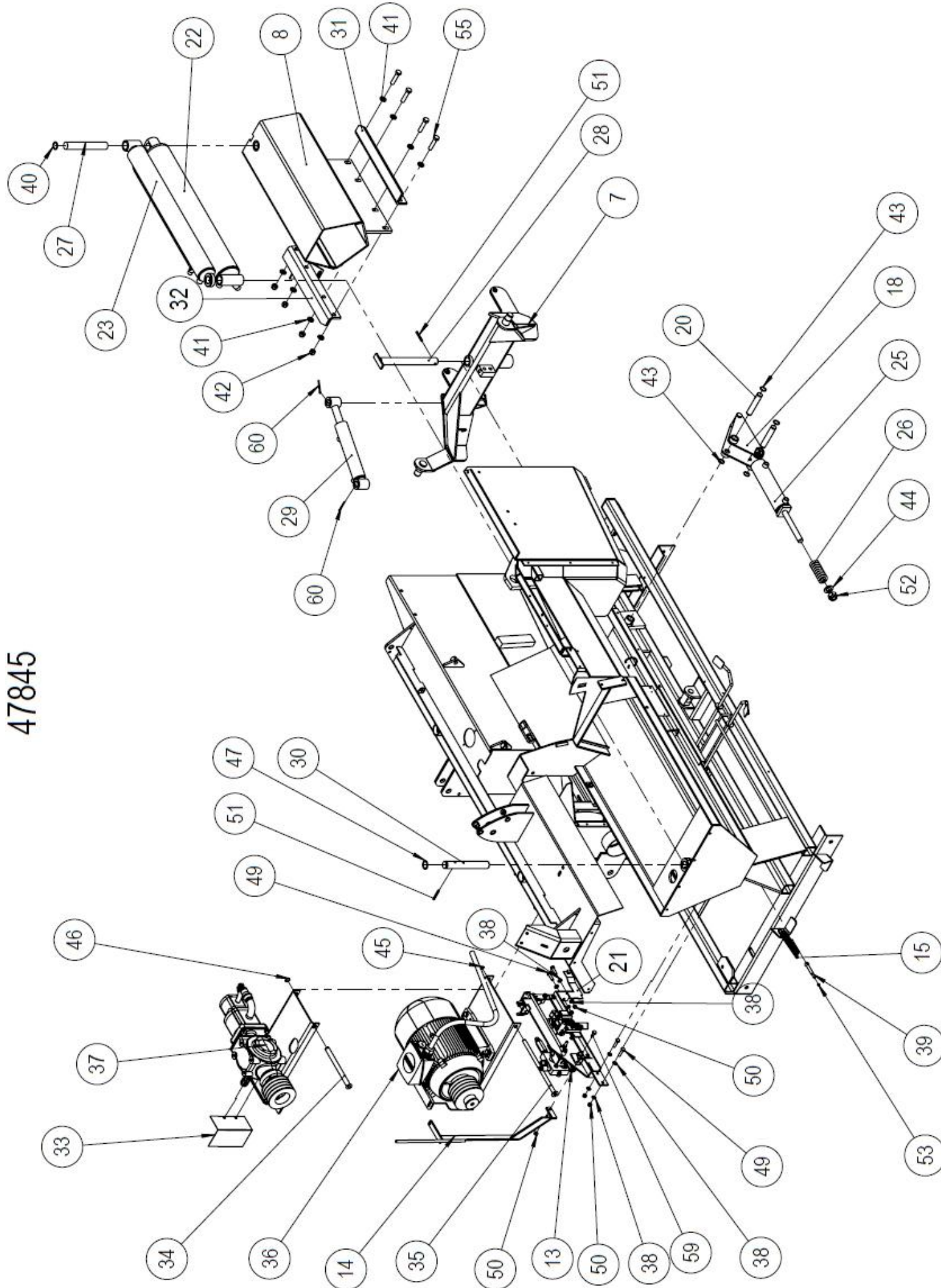


## 1.2 Splitter parts list 1 (47011)

No.	Part number_Name	Pcs
1	47011_BIG X 50 body	1
2	47950_Input conveyor	1
3	47870_Protective cage	1
4	47795_Body end	1
5	47798_Front sheet panel	1
6	47912_Console	1
7	47948_Extrusion	2
8	95650_Hardening groove rubber	1
9	47931_Cover sheet	1
10	47444_Working surface	1
11	47967_Cage pin	2
12	47954_Input conveyor support	1
13	47993_Cinder sheet	1
14	39098_Bushing	2
15	47825_Winch support beam	1
16	47826_Left winch support beam	1
17	47160_Locking guard input conveyor	1
18	95003_Keel roll 300	2
19	47216_Tail roll fastening assembly	1
20	47210_Drive roller component assembly	1
21	47217_Drive roller fastening	1
22	47200_Input conveyor rear roller	1
23	47811_Stop	2
24	47310_Winch with splitting blade	1
25	47189_Carryover roll	1

26	08055_Cardan shaft hook	1
27	36033_Draw pin	2
28	47750_Output conveyor lift cylinder	1
29	47740_Output conveyor cylinder connecting rod	1
30	47717_Output conveyor cylinder connecting rod	1
31	47716_Output conveyor lift cylinder	1
32	47800_Conveyor belt, intermittent	1
33	47437_Splitting guard 1	1
34	47438_Splitting guard 2	1
35	95498_Left splitting groove cover	1
36	95499_Right splitting groove cover	1
37	47679_8-part splitting blade, tempered supported	1
38	95021_Compression spring, Black	2
39	95129_Log holder belt	1
40	47089_Conveyor locking bolt	1
41	47643_Dust opening cover plate	1
42	47700_Conveyor bottom	1
43	47853_Conveyor upper end with debris discharge	1
44	47445_Seal for the dust opening	1
45	96241_Crown cotter pin	2
46	?_gas spring with 15-6L-4499-Lesjofors clamps	2
47	47409_Measuring device cover	1
48	47920_Maintenance hatch	1
50	97388_Quick coupling female 1.2 automatic	2
51	95157_Starter cover	1

### 1.3 Exploded view of the frame (47845)

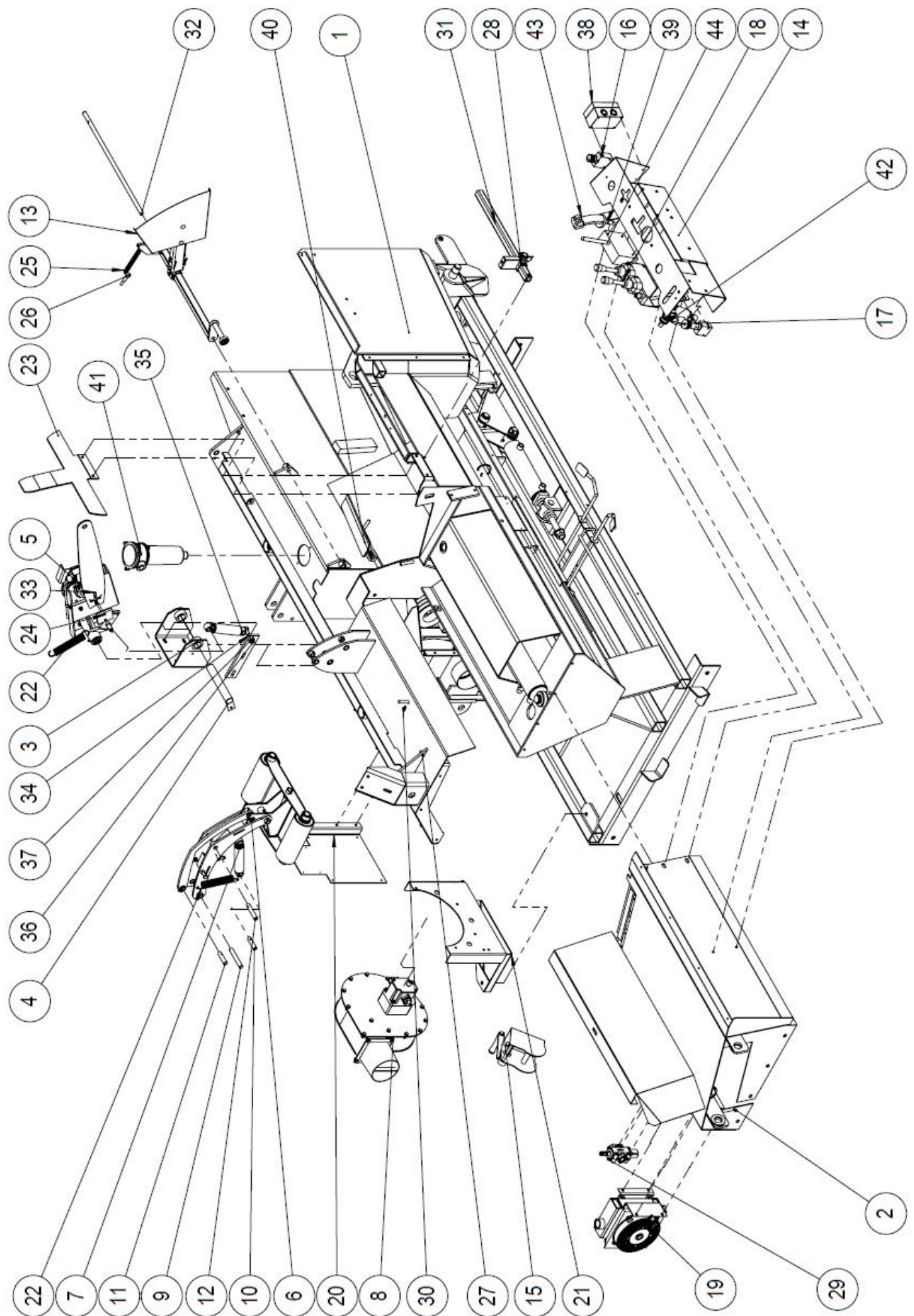


47845

## 1.4 Frame (47845) parts list

No.	Part number_Name	Pcs
7	47080_Output conveyor turning mechanism	1
8	47350_Slider	1
13	47813_Valve mechanism	1
14	47975_Safety rod	1
15	95025_Draw spring 3.5x30x190	1
18	47050_Splitting blade hoist	1
20	47052_Splitting blade adjustment pin	2
21	47819_Valve return pin	1
22	47682_Cylinder D110 d75	1
23	47459_Cylinder Ø80, support Ø50	1
25	47733_Splitting blade cylinder, assembly	1
26	95026_Pressure spring Ø26-9-120	1
27	47478_Splitting cylinder fastening pin	1
28	47094_Pin for the conveyor turning mechanism	1
29	47243_Cylinder Ø50/32x190	1
30	47477_Double cylinder fastening pin	1
31	47362_Slider attaching plate	1
32	47355_Slider attaching plate	1
33	47254_Belt guard	1
34	47253_Angle transmission fastening pin	1
35	47602_Shaft for electric motor bed	1
36	47600_Electric motor + bed	1
37	47259_Angle transmission installation kit (electrical)	1
38	96049_Washer DIN 125 A10	10
39	96338_Screw hoop DIN 444 M10x90	1
40	96240_Retaining ring DIN 472 96240_35	1
41	96059_Washer DIN 125 A16	8
42	96219_Locking nut DIN 985 M16	4
43	96042_Retaining ring DIN 471 96042_25	4
44	96054_Washer DIN 125 A24	1
45	96038_Retaining ring DIN 471 96038_16	1
46	96040_Retaining ring DIN 471 96040_20	1
47	96045_Retaining ring DIN 471 96045_35	1
48	96276_Lubrication nipple M8X1	1
49	96129_Hexagonal screw DIN 933 M10x40	4
50	96068_Locking nut DIN 985 M10	6
51	96079_Spring cotter DIN 1481 96079_8x60	2
52	96214_Locking nut DIN 985 M24	1
53	96221_Locking nut DIN 985 M6	1
54	96138_Hexagonal screw DIN 933 M10x20	3
55	96155_Hexagonal screw DIN 933 M16x70	4
56	10220a_Spring lug	1
57	47021c_block	1
58	47393_Log guide pipe	1
59	96139_Hexagonal screw DIN 933 M10x25	1
60	96250_Cotter pin DIN 94 96250_5x50	2

## 1.5 Exploded view of the frame 2

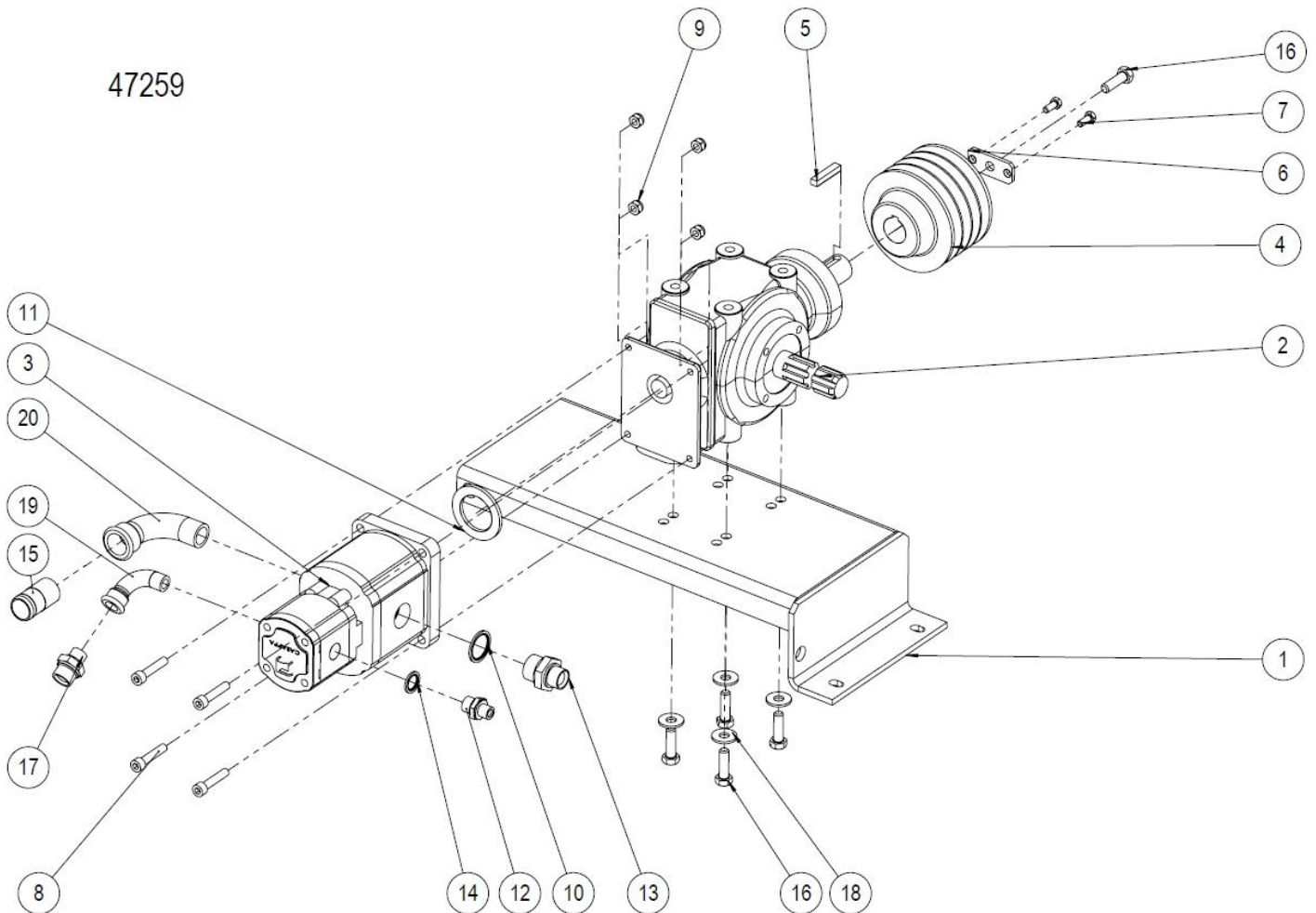




## 1.6 Frame spare parts list 2

No.	Part number_Name	Pcs			
			23	47814_Flange cover	1
1	47845_Big x 50 frame welding	1	24	47294_Blade flange attaching plate	1
2	47833_Log holder	1	25	95028_Draw spring 2x15x150	1
3	47260_Blade actuator fastening	1	26	96255_Screw hoop DIN 444 M10x60	1
4	47244_Blade drive shaft	1	27	?_Globe end M8, D10-4610-Lesjofors	2
5	47805_Saw unit	1	28	47666_Optical measuring device with cover	1
6	47905_Wood press	1	29	97557_DF10,3A[XXL]17SLP	1
7	47381_Hydraulic cylinder	1	30	95421_Pin limit switch	1
8	67000_Dust collector	1	31	47598_RHS Pipe	1
9	47884_Pin 16x107	1	32	47691_Link rod	1
10	47886_Pin 16x63	1	33	95137_Blade flange 20"	1
11	47442_Pin	1	34	47247_Cylinder fastening rod	1
12	47885_Pin 16x85	1	35	10242_Cylinder	1
13	47773_Log guide	1	36	37550_Hexagonal screw M16	1
14	47799_Valve mount	1	37	96219_Locking nut DIN 985 M16	1
15	95328_Winch	1	38	95160_Remote starter	1
16	97524_Adjuster	1	39	26331_Handle arm	1
17	97413_Hydraulic valve	1	40	47390_Wood guide	1
18	97408_Hydraulic valve	1	41	97349_Filter box	1
19	97477_Oil cooler	1	42	97402_Valve (with spring)	1
20	47985_Electrical cabin mount	1	43	97415_Control handle	1
21	47994_Aspirator mount	1	44	97410_Hydraulic valve	1
22	95025_Draw spring 3.5x30x190	3			

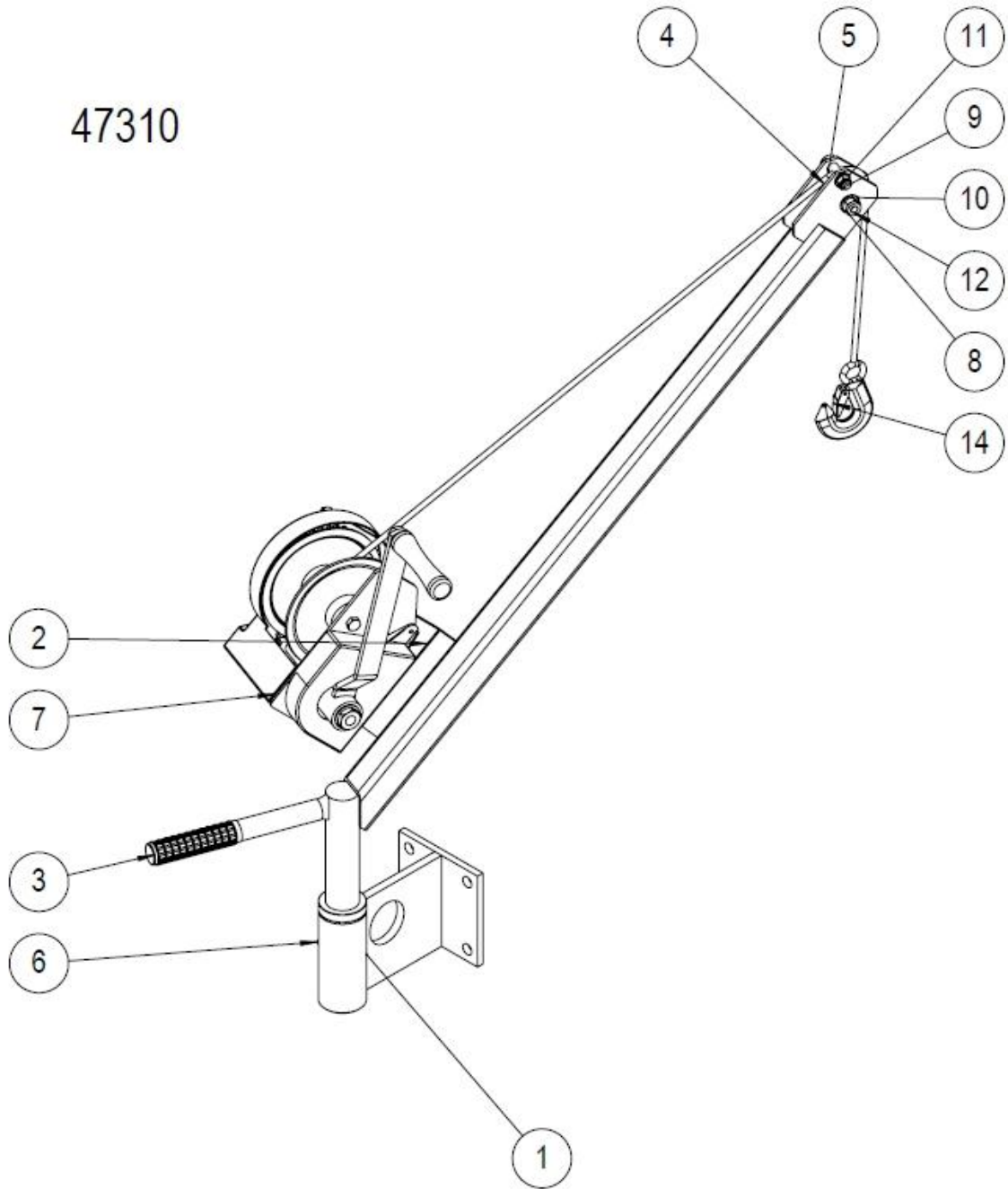
## 1.7 Exploded view of the power transmission 1 (Combi model)



## 1.8 Power transmission (48259) parts list

No.	Part number_Name	Pcs
1	47255_Bed for the angle transmission	1
2	95173_Angle transmission (2061)	1
3	97326_Hydraulic pump	1
4	95123_Angle transmission belt pulley 4B132	1
5	47837_Chock 10x8-55	1
6	47604_Belt pulley attaching plate	1
7	96161_Hexagonal screw DIN 933 M8x20	2
8	96011_Hex socket screw 12.9 DIN 912 9 M10x50	4
9	96068_Locking nut DIN 985 M10	4
10	97215_USIT 1	1
11	?_Angle transmission baffle board	1
12	97203_Double nipple straight 3.8 x 1.2	1
13	97208_double nipple straight 3.4x1	1
14	97213_USIT 1.2	1
15	47112_ C Nipple	1
16	96148_Hexagonal screw DIN 933 M12x40	5
17	97205_Double nipple, straight	1
18	96253_Sesco plate M12	4
19	95401_curve 1/2 inch inner/outer NS15	1
20	95400_curve 1 inch inner/outer NS 25	1

## 1.9 Exploded view of the winch

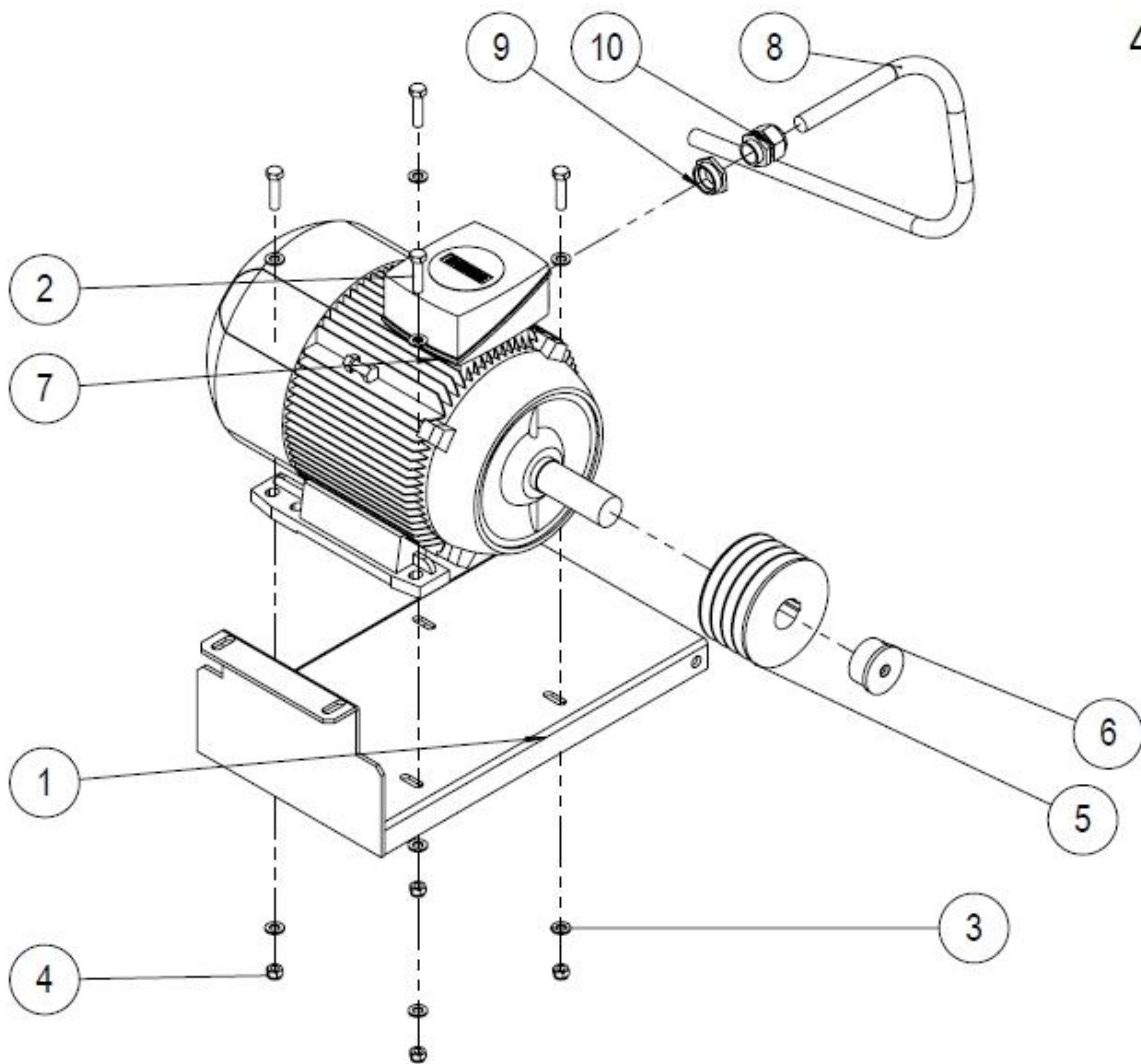


## 1.10 Winch parts list

No.	Part number_Name	Pcs			
1	47308_Splitting blade lifting winch mount	1	8	96068_Locking nut DIN 985 M10	3
2	47309_Splitting blade lifting winch arm	1	9	96222_Locking nut DIN 985 M8	1
3	95034_Handle	1	10	96049_Washer DIN 125 A10	1
4	47311_Wire sheave	1	11	96061_Washer DIN 125 A8	1
5	47312a_Sheave pipe	1	12	96098_Hexagonal screw DIN 931 M10x40	2
6	96276_Lubrication nipple M8X1	1	13	96139_Hexagonal screw DIN 933 M10x25	2
7	95069_Winch with break 750kg	1	14	?_Wire and hook	1

### 1.11 Exploded view of the power transmission 2 (Combi model)

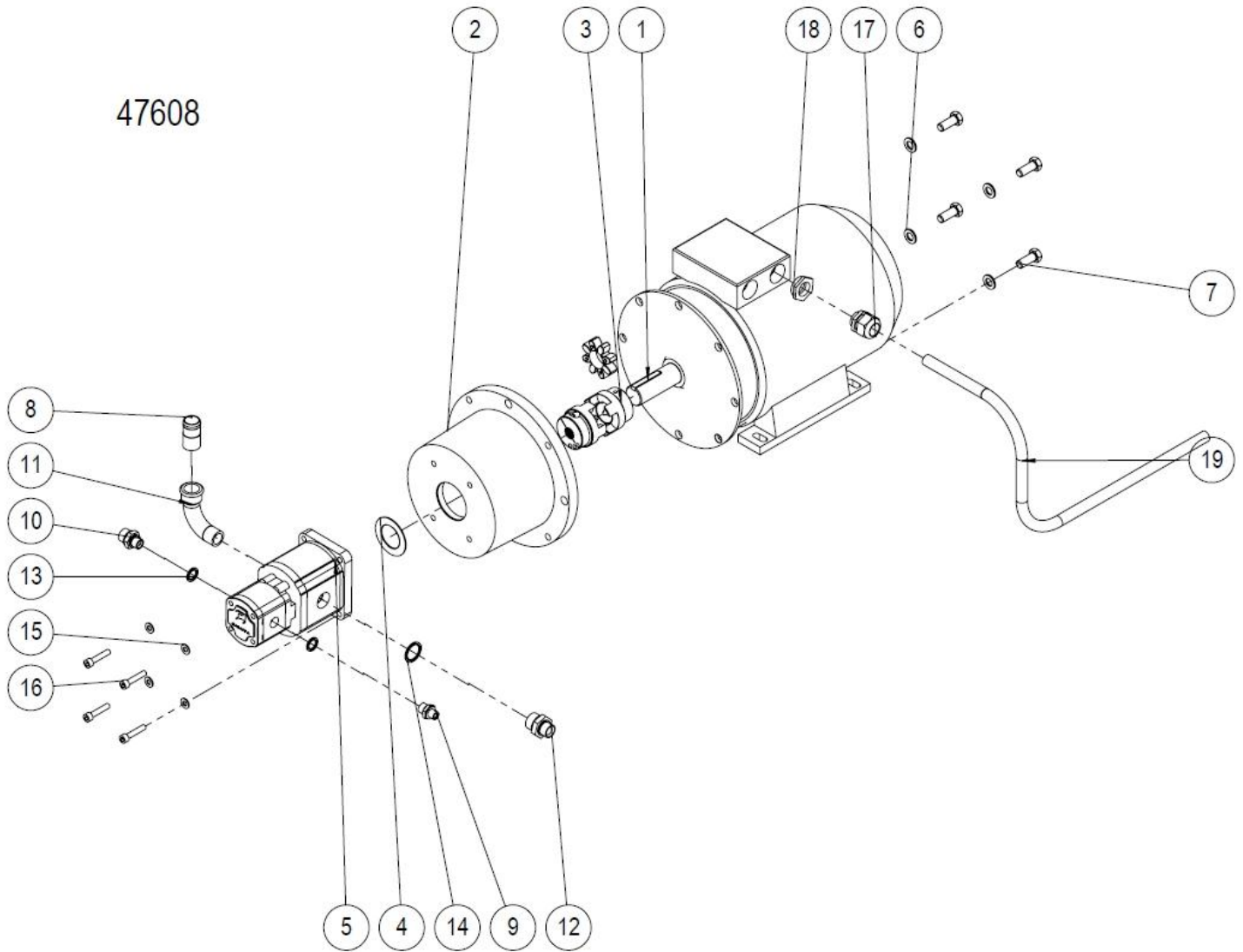
47600



### 1.12 Power transmission (47600) parts list (Combi model)

No.	Part number_Name	Pcs
1	47601_Bed for the electric motor	1
2	96108_Hexagonal screw DIN 931 M12x50	4
3	96058_Washer DIN 125 A12	8
4	96218_Locking nut DIN 985 M12	4
5	95326_Belt pulley B4, 148	1
6	47782_Belt pulley lock	1
7	95043_Electric motor 15 kW	1
8	95221_Rubber cable	1
9	95274_Conversion bushing M40/32	1
10	95273_Cable clamp M32x1.5	1

### 1.13 Exploded view of the power transmission (electrical)

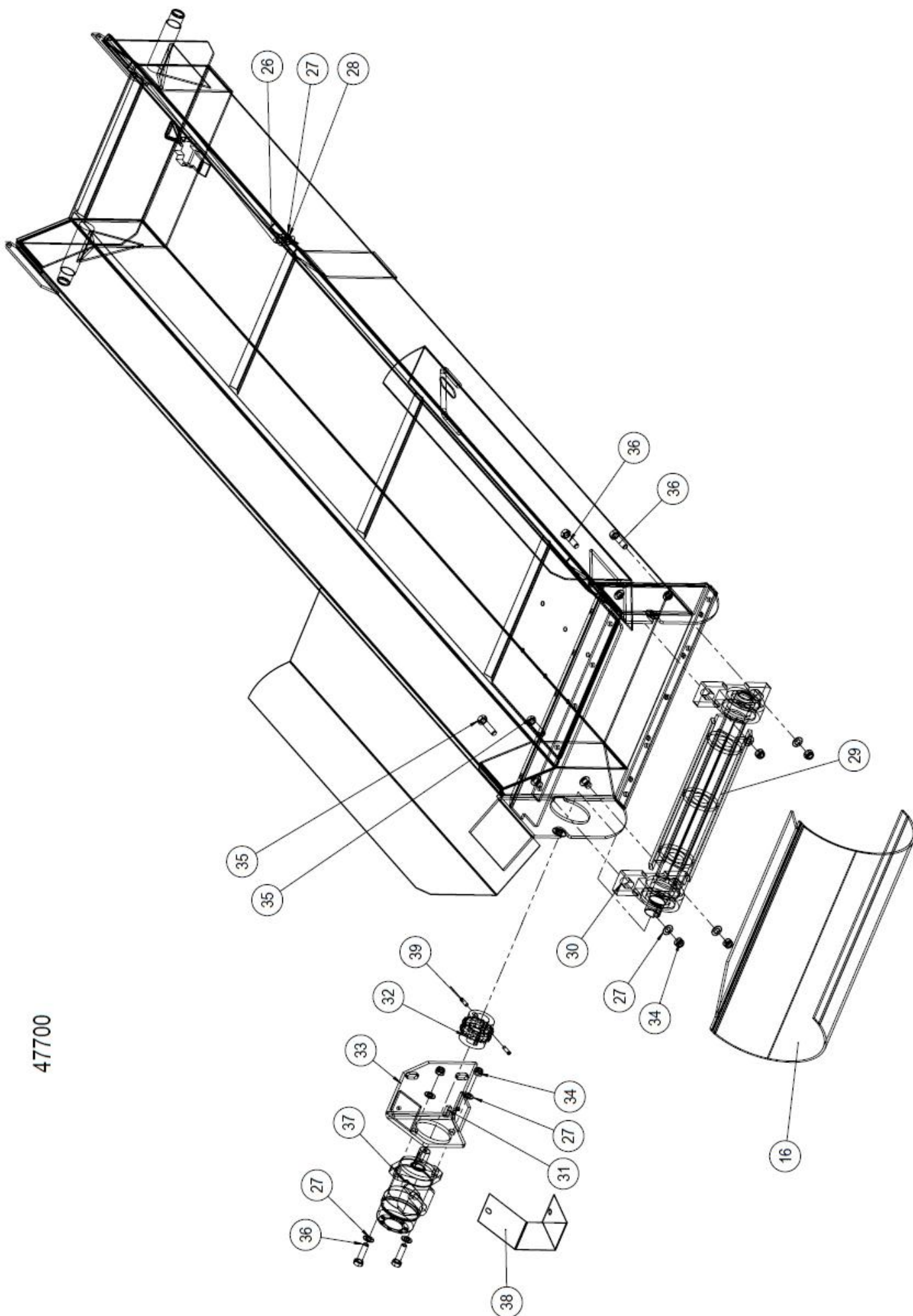


### 1.14 Power transmission 47608 parts list

No.	Part number_Name	Pcs
1	95463_Electric motor 15 kW B3, B5 380V	1
2	97518_Intermediate flange for the 15 kW motor	1
3	97553_Switch package	1
4	?_Baffle board for the intermediate flange (15kW)	1
5	97326_Hydraulic pump	1
6	96059_Washer DIN 125 A16	4
7	96154_Hexagonal screw DIN 933 M16x40	4
8	47112_C Nipple	1
9	97203_Double nipple straight 3.8 x 1.2	1
10	97205_Double nipple, straight	1

11	95400_Curve 1 inch inner/outer NS 25	1
12	97208_Double nipple straight 3.4x1	1
13	97213_USIT 1.2	2
14	97215_USIT 1	1
15	96049_Washer DIN 125 A10	4
16	96011_Hex socket screw 12.9 DIN 912 M10x50	4
17	95273_Cable clamp M32x1.5	1
18	95274_Conversion bushing M40/32	1
19	95221_Rubber cable	1

### 1.15 Exploded view of the output conveyor bottom (47700)

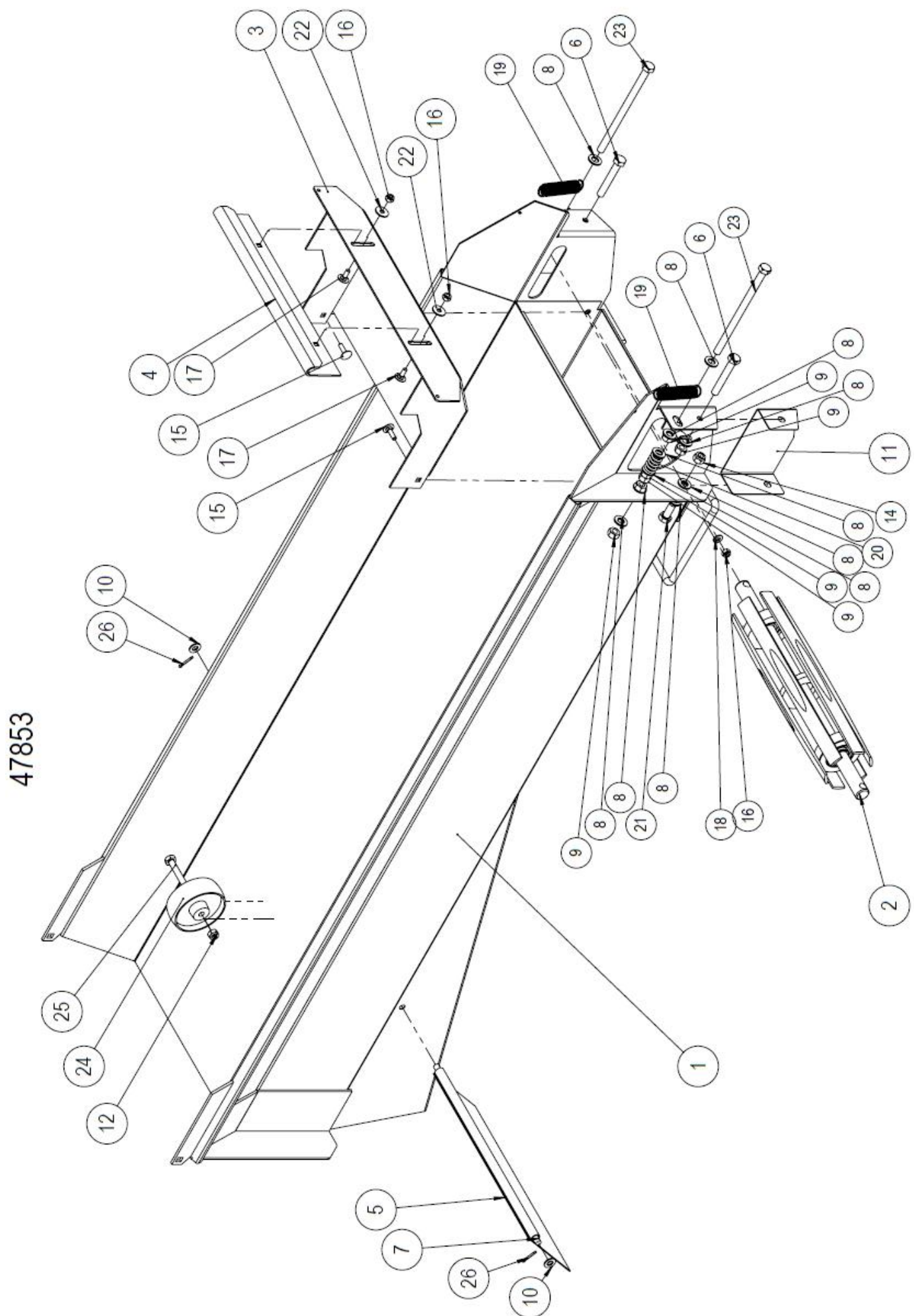


47700

## 1.16 Output conveyor bottom (47700) parts list

<b>No.</b>	<b>Part number_Name</b>	<b>Pcs</b>
16	95449_Lower protective belt	1
26	47055_Conveyor belt holder	1
27	96058_Washer DIN 125 A12	13
28	96246_Cotter pin DIN 94 3.2x32	1
29	47640_Conveyor drive roller	1
30	95059_Bearing unit UCP208	2
31	47642_Wedge	1
32	95448_Chain coupling	1
33	47655_Motor fastener	1
34	96218_Locking nut DIN985 M12	6
35	96108_Hexagonal screw DIN 931 M12x50	2
36	96107_Hexagonal screw DIN 931 M12x45	4
37	97306_Hydraulic motor OMP-80	1
38	47654_Guard	1
39	96223_Stopper screw DIN 913 M8x25	2

### 1.17 Exploded view of the output conveyor upper (47853)

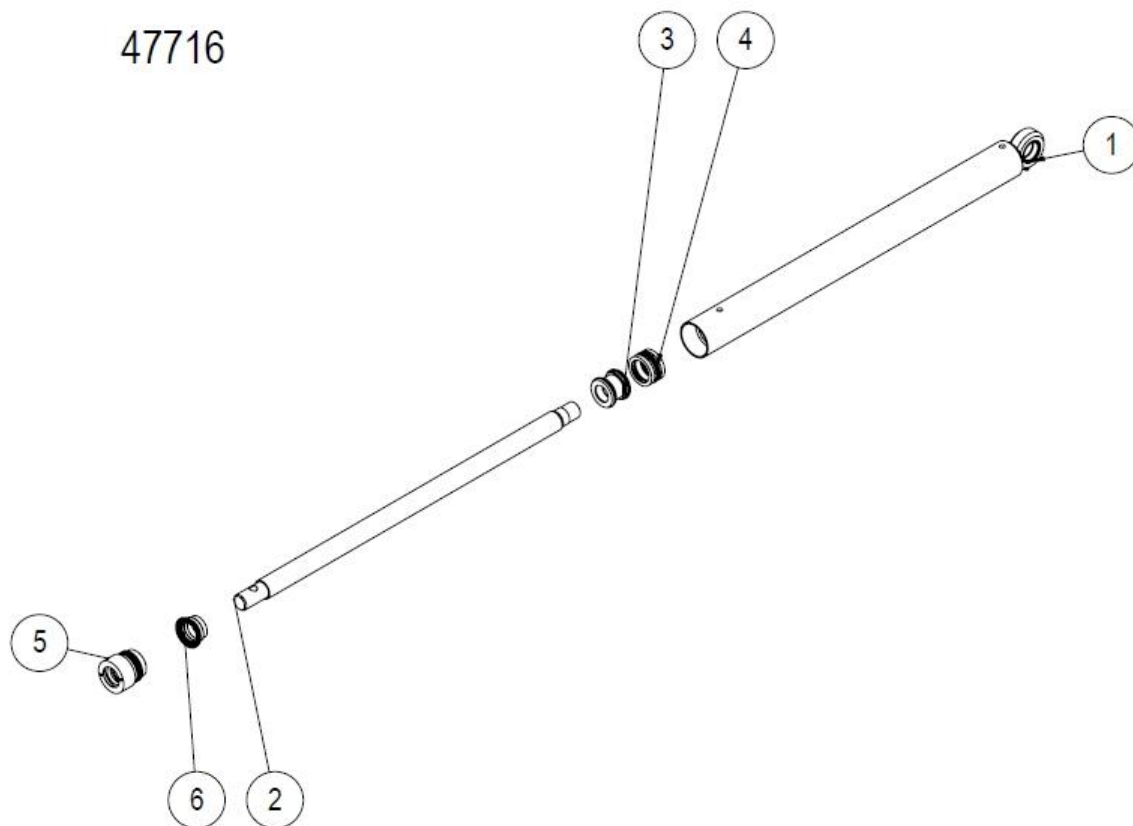




### 1.18 Output conveyor upper (47853) parts list

No.	Part number_Name	Pcs
1	47835_Conveyor upper	1
2	47711_Conveyor upper roller	1
3	47834_Debris separator	1
4	47858_Lip plate	1
5	47836_Cover plate	1
6	96151_Hexagonal screw DIN 933 M12x80	2
7	47863_Link rod	1
8	96058_Washer DIN 125 A10	16
9	96200_Hex nut DIN 934 M12	12
10	96049_Washer DIN 125 A10	2
11	47989_Protective plate for the roller	1
12	96068_Locking nut DIN 985 M10	1
14	96218_Hex nut DIN 935 M12	1
15	96191_Locking screw DIN 603 M8x25	2
16	96222_Locking nut DIN 985 M8	4
17	96187_Locking screw DIN 603 M8x20	2
18	96061_Washer DIN 125 A8	2
19	95390_Drawspring 2x20x100	2
20	95008_Compression spring 3,5x22x38	2
21	96146_Hexagonal screw DIN 933 M12x30	1
22	96085_Washer DIN 9021 M8	2
23	96352_Hexagonal screw DIN 933 M12x200	2
24	95493_Pulley LI-100 N	1
25	95317_Hexagonal screw DIN 931 M10x70	1
26	96245_Saxon pin DIN 94 3,2x20	2

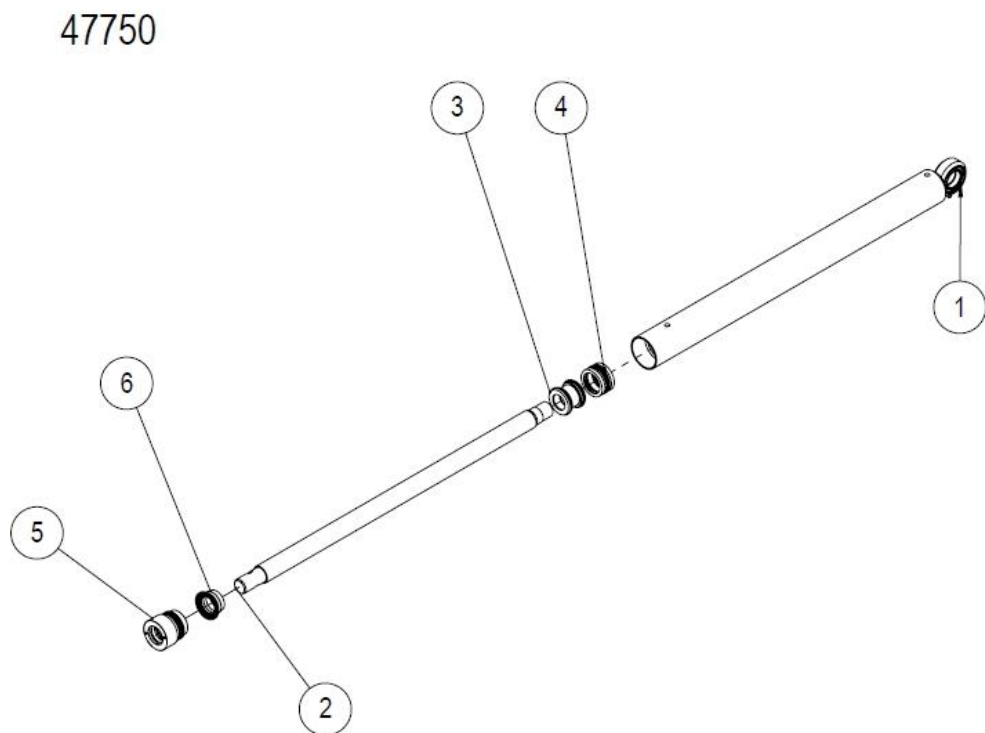
### 1.19 Exploded view of the output conveyor cylinder (left)



### 1.20 Output conveyor cylinder parts list

No.	Part number_Name	Pcs
1	47746_Pipe assembly	1
2	47744_Cylinder arm	1
3	10260_Plunger	1
4	97294_Plunger seal kit 50/32	1
5	10261_Arm control	1
6	97294_Arm guide seals 50/32	1

## 1.21 Exploded view of the output conveyor cylinder (right)

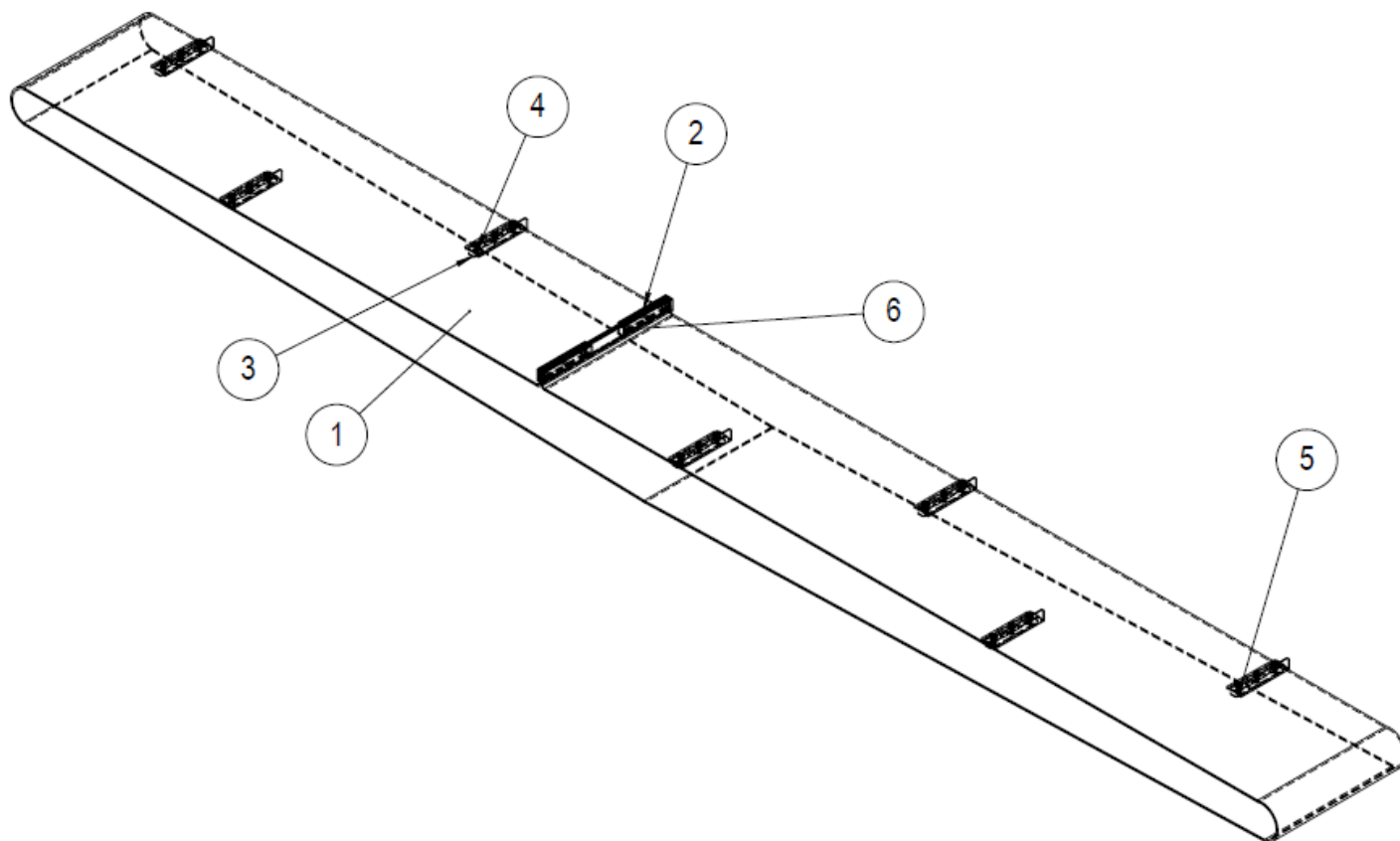


## 1.22 Output conveyor cylinder (47750) parts list

No.	Part number_Name	Pcs
1	47751_Pipe assembly	1
2	47744_Cylinder arm	1
3	10260_Plunger	1
4	97294_Plunger seal kit 50/32	1
5	10261_Arm control	1
6	97294_Arm guide seals 50/32	1

### 1.23 Exploded view of the output conveyor belt (47800)

47800

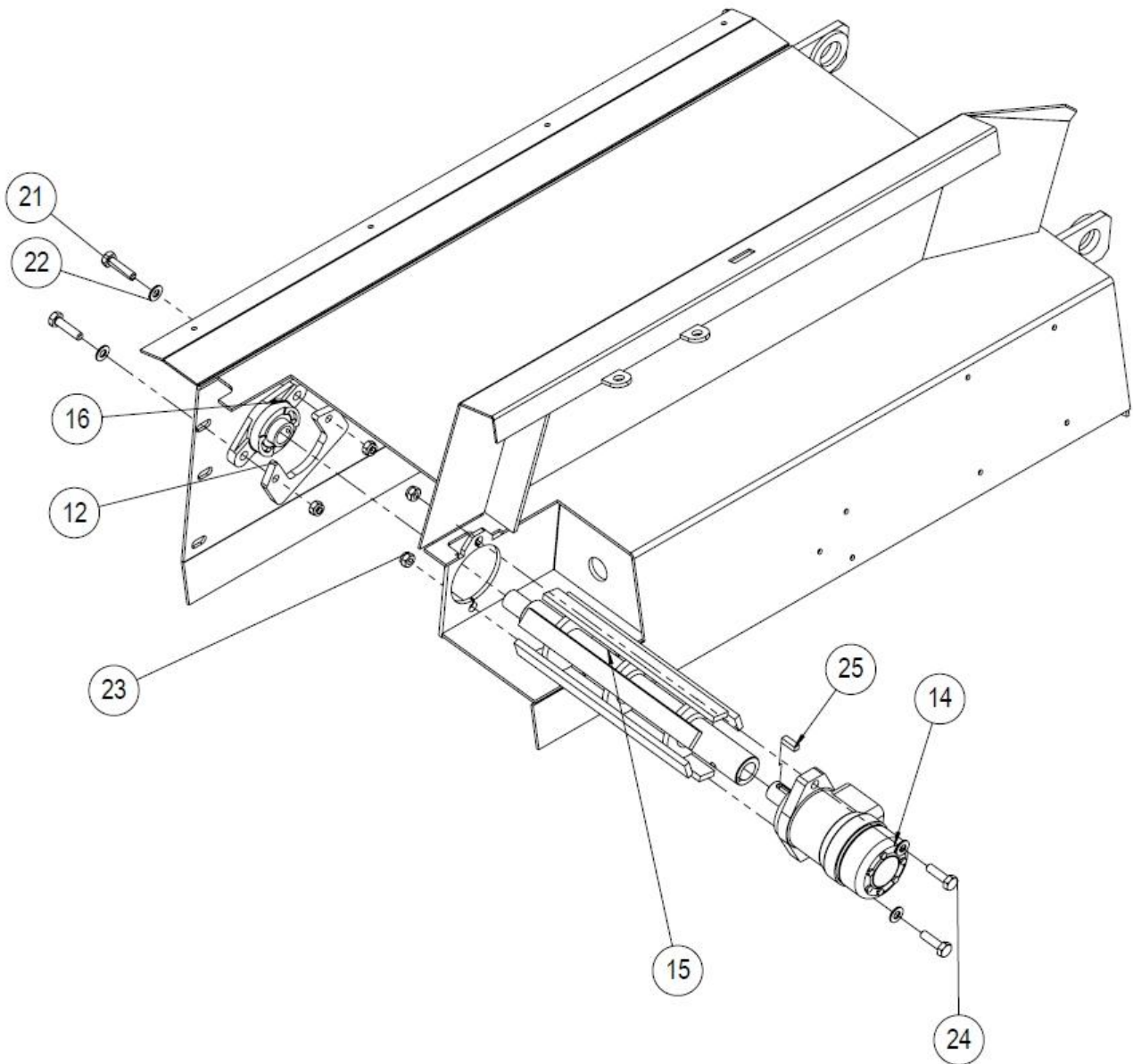


### 1.24 Output conveyor belt (47800) parts list

No.	Part number_Name	Pcs
1	95127_Belt	1
2	09045_Belt connection rod	4
3	09027_Conveyor fastening	16
4	09014_Conveyor plate	16
5	96222_Locking nut DIN 985 M8	54
6	96165_Hexagonal screw DIN 933 M8x30	6

## 1.25 Exploded view of the log holder

47833

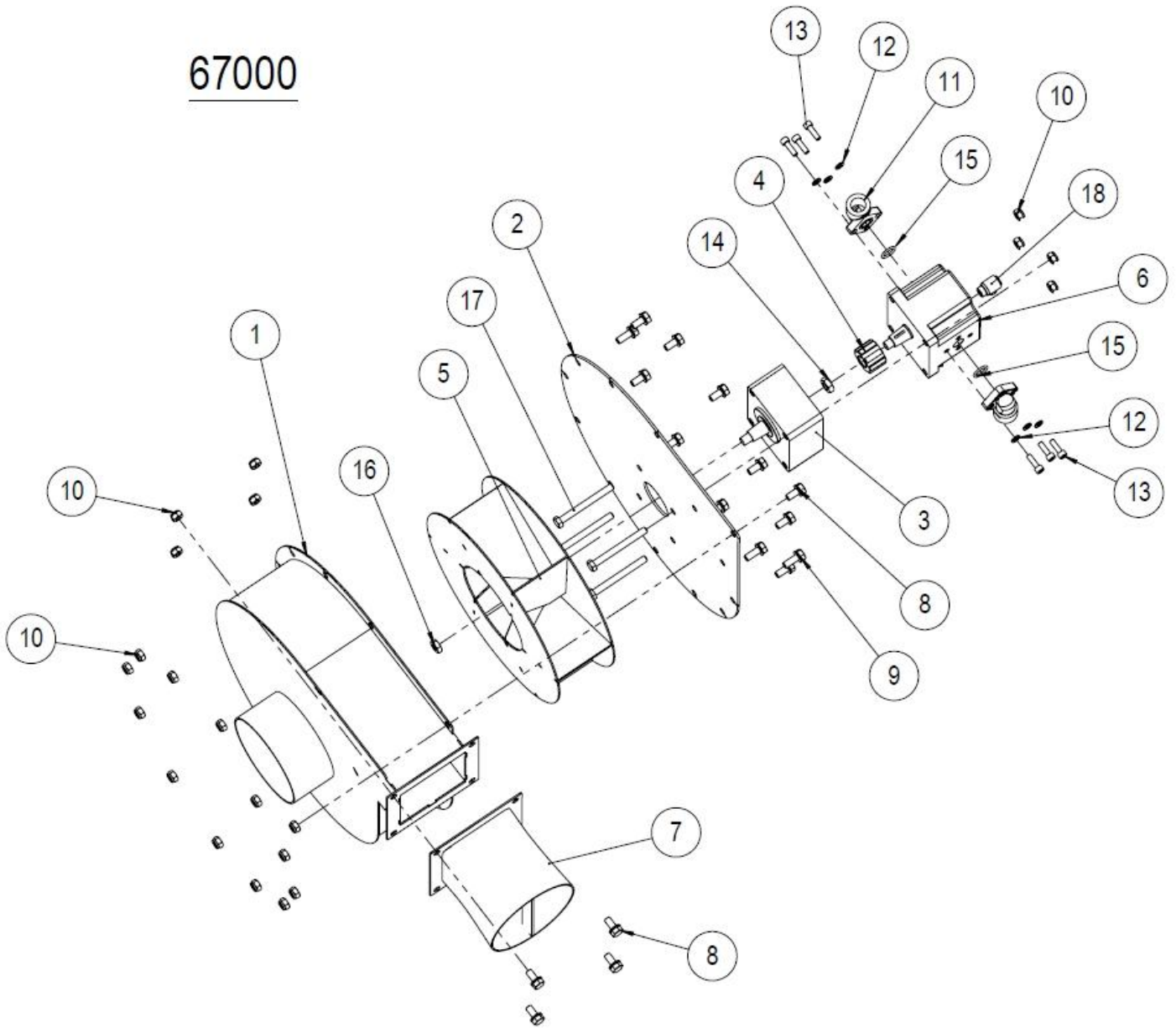


## 1.26 Log holder (47833) parts list

No.	Part number_Name	Pcs
12	47159b_Bearing attaching plate	1
14	97308_Hydraulic motor OMP-200	1
15	47158_Input conveyor drive roller	1
16	95318_Bearing UC 205	1
21	96129_Hexagonal screw DIN 933 M10x40	2
22	96049_Washer DIN 125 A10	4
23	96068_Locking nut DIN 985 M10	4
24	96097_Hexagonal screw DIN 931 M10x35	2
25	60713_Wedge	1

## 1.27 Exploded view of the dust collector (67000)

67000

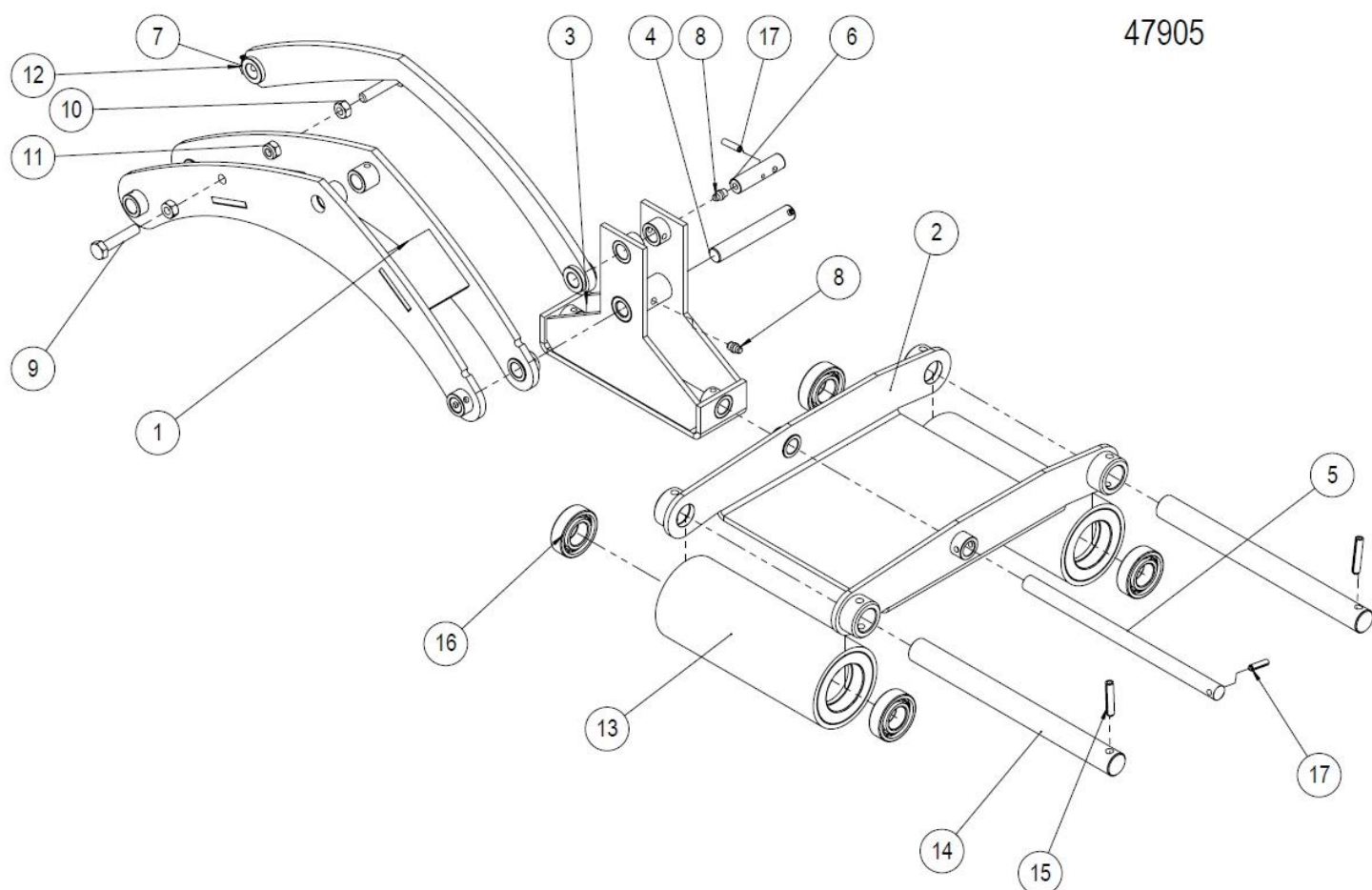


## 1.28 Dust collector (67000) parts list

No.	Part number	Pcs
1	67010_Frame	1
2	67020_Rotor attaching plate	1
3	97560_Support bearing	1
4	97561_Inner part of the coupling	1
5	67015_Rotor	1
6	97572_Gear motor 6.3 DH	1
7	67029_Conversion assembly	1
8	96172_Flange bolt M8x16	13
9	96173_Flange bolt M8x20	4

10	96222_Locking nut DIN 985 M8	22
11	97316_Connection flange	2
12	?_Lock washer M6	6
13	96018_Hex socket srew 12.9 DIN 912 M6x20	6
14	96206_Hex nut DIN 936 M12	1
15	?_O Ring 20	2
16	?_Hex nut	1
17	96353_Hexagonal screw DIN 931 M8x80	4
18	97567_Angle outlet connector, adjustable	1

## 1.29 Exploded view of the wood press (47905)



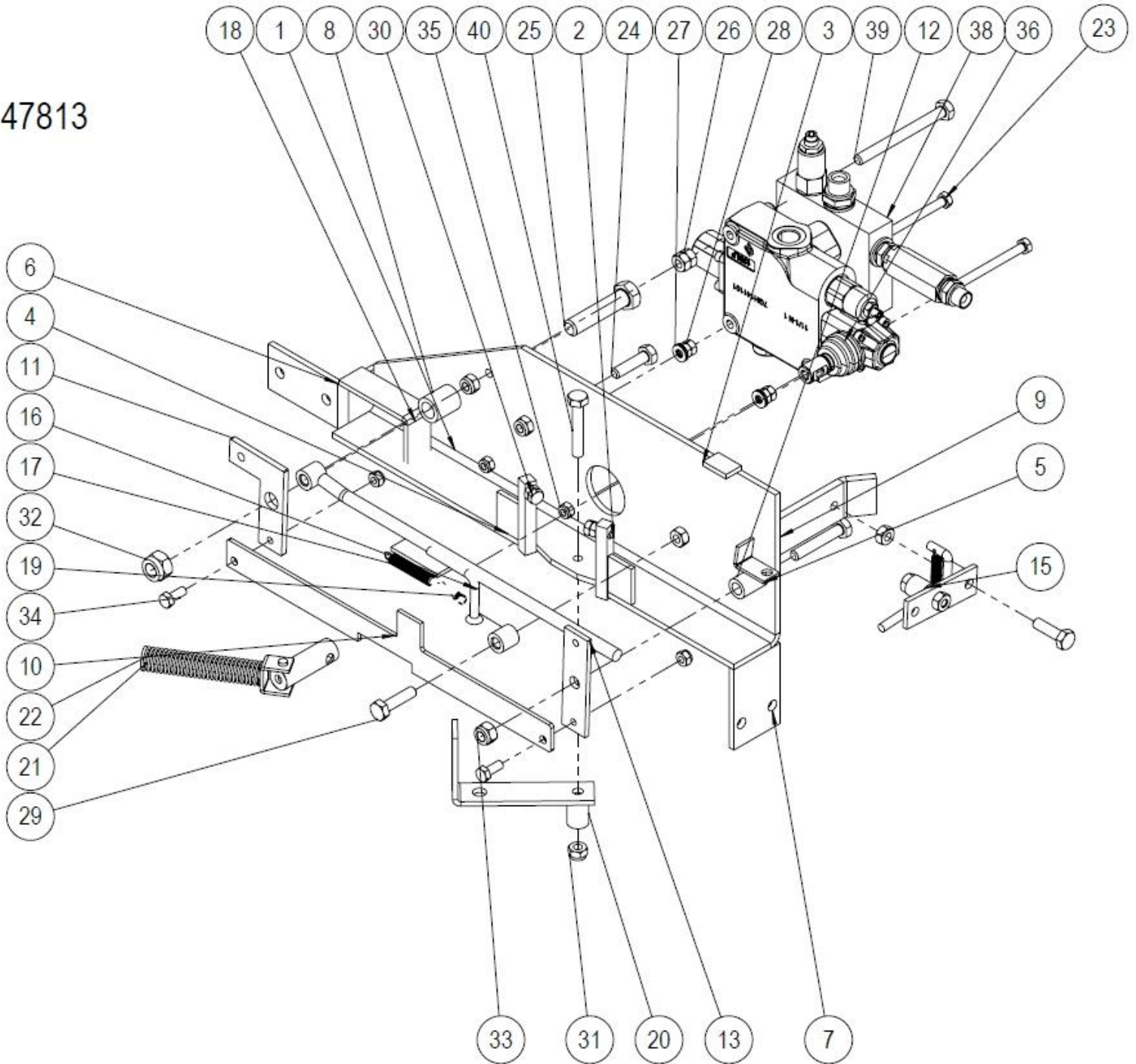
## 1.30 Wood press (47905) parts list

No.	Part number_Name	Pcs
1	47904_Press frame	1
2	47898_Swing	1
3	47899_Hanger	1
4	47884_Pin 16x107	1
5	47889_Pin 16x270	1
6	47886_Pin 16x63	1
7	47895_Stabiliser assembly	1
8	96276_Lubrication nipple M8X1	2

9	96099_Hexagonal screw DIN 931 M10x50	2
10	96199_Hex nut DIN 934 M10	2
11	96068_Locking nut DIN 985 M10	2
12	96275_Lubrication nipple M8x1 90 GR	1
13	47779_Press roller	2
14	47910_Roller shaft	2
15	96077_Spring pin DIN 1481 8x40	2
16	95050_Ball bearing 6205 2RS	4
17	96354_Spring pin DIN 1481 6x30	3

1.31 Exploded view of the valve mechanism (47813)

47813



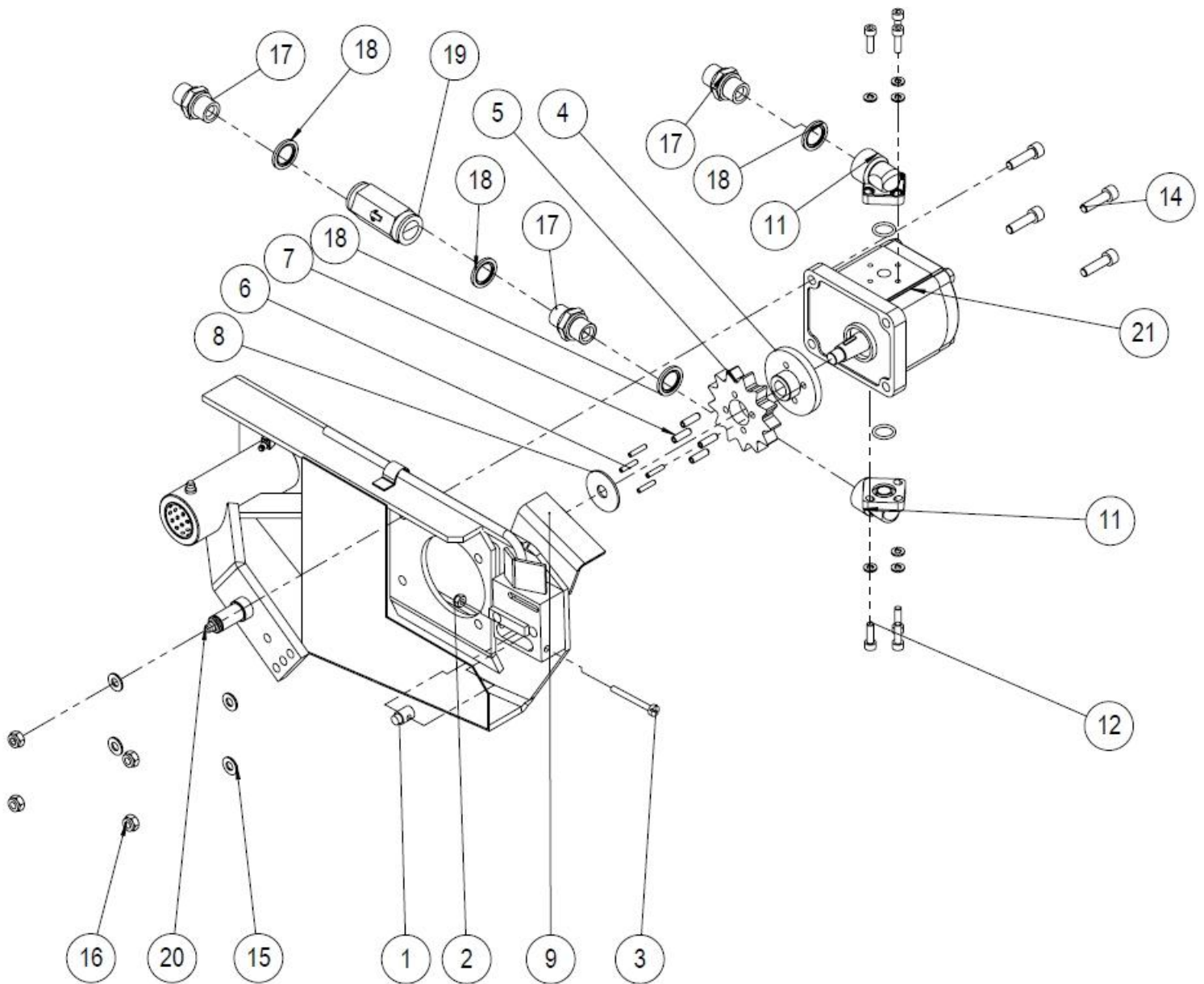


### 1.32 Valve mechanism (47813) parts list

No.	Part number	Pcs
1	47429_Valve and valve mechanism attaching plate	1
2	10020_Drive lever limiter	2
3	10020s_Stop	1
4	10020t_Limiter support	2
5	10023a_Trigger pedal flat rod	1
6	10146_Drive lever attaching plate	1
7	10146b_Drive lever attaching plate	1
8	10386_Bushing	1
9	47421_Drive lever flat rod	1
10	10026_Stopping lever flat rod	1
11	47980_Safety lever for the valve mechanism	1
12	10019h_Bushing	1
13	10019_Stopping lever flat rod	1
14	10491_Washer 3xØ32Ø13	1
15	10018_Triggering lever assembly	1
16	10023_Triggering lever	1
17	47425_Triggering lever	1
18	47781_Limiter	1
19	95013_Draw spring Ø0.9xØ9.8-100	1
20	10145_Valve flat rod	1
21	47427_Jointed lever	1
22	95018_Pressure spring Ø22x2 L=140	1
23	96169_Hexagonal screw DIN 933 M8x90	2
24	96129_Hexagonal screw DIN 933 M10x40	1
25	96155_Hexagonal screw DIN 933 M16x70	1
26	96199_Hex nut DIN 934 M10	4
27	96061_Washer DIN 125 A8	4
28	96196_Hex nut DIN 934 M8	6
29	96088_Hexagonal screw DIN 931 96088_M10x40	1
30	96130_Hexagonal screw DIN 933 10.9M8x20	2
31	96068_Locking nut DIN 985 M10	3
32	96219_Locking nut DIN 985 M16	1
33	96218_Locking nut DIN 985 M12	1
34	96161_Hexagonal screw DIN 933 M8x20	2
35	96222_Locking nut DIN 985 M8	4
36	97409_SD11.1-N(KG3-180)1SC7L180	1
37	96097_Hexagonal screw DIN 931 M10x35	1
38	47495_Automatic acceleration valve	1
39	96136_Hexagonal screw DIN 933 M10x110	1
40	96100_Hexagonal screw DIN 931 M10x60	2

### 1.33 Exploded view of the saw unit (47805)

47805

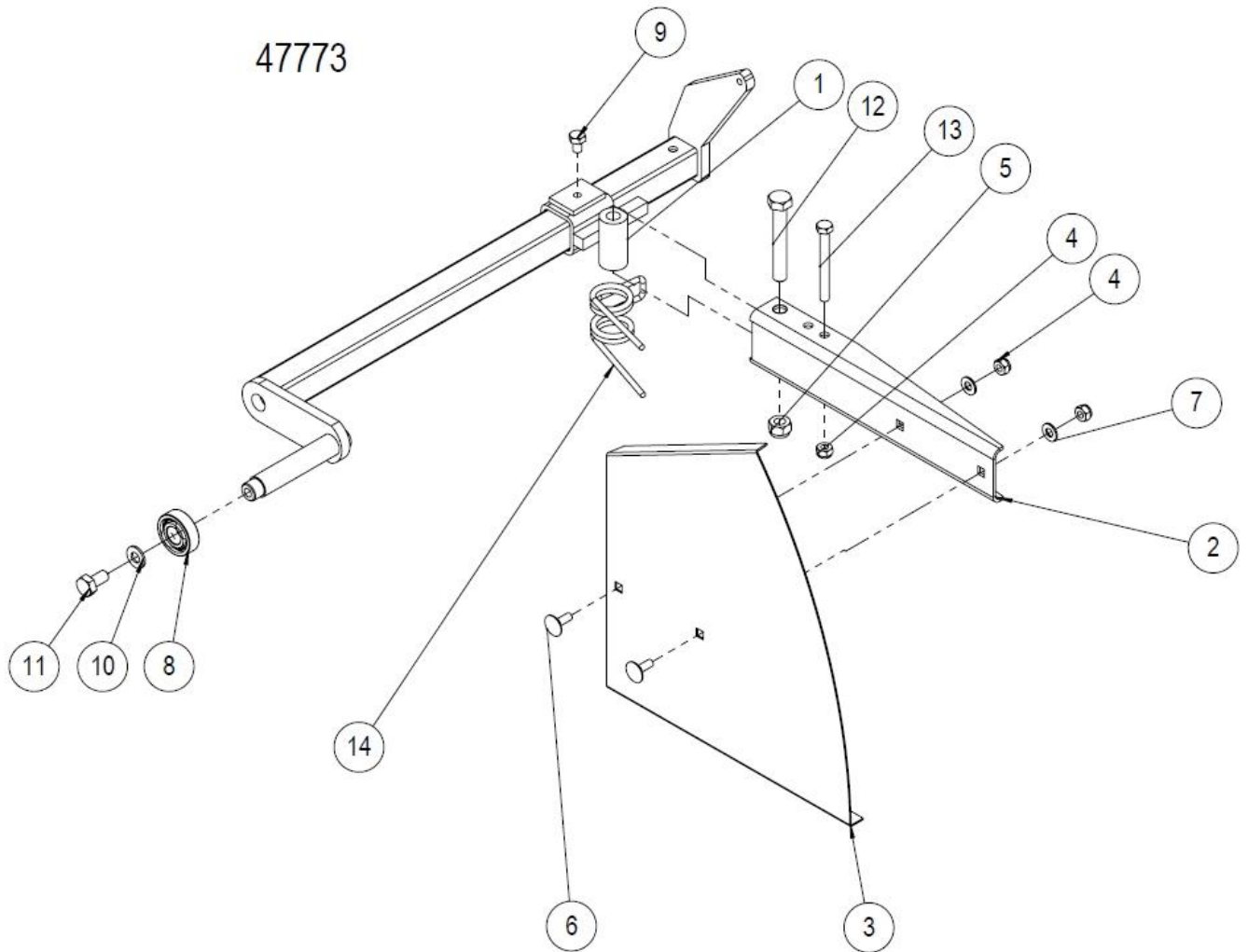


### 1.34 Saw unit (47805) parts list

No.	Part number_Name	Pcs
1	47295_Flange tightening bushing	1
2	96221_Locking nut DIN 985 M6	1
3	96267_Groove screw DIN 84 M6x70	1
4	47304_Drive pulley fastening bushing	1
5	95139_Drive pulley	1
6	96072_Spring cotter DIN 1481 96072_4x20	4
7	96075_Spring cotter DIN 1481 96075_6x20	4
8	96340_Washer for the drive end of the blade	1
9	96206_Hex nut DIN 936 M12	1
10	?_O Ring 20	2

11	97316_Connection flange	2
12	96018_Hex socket srew 12.9 DIN 912 M6x20	6
13	?_Lock washer M6	6
14	96341_Hex socket srew DIN 912 M8x30	4
15	96061_Washer DIN 125 A8	4
16	96222_Locking nut DIN 985 M8	4
17	97204_Double nipple, straight	3
18	97213_USIT 1.2	4
19	97252_Check valve 1.2	1
20	47806_Blade actuator component assembly	1
21	97570_Gear motor 20.8 DH	1

### 1.35 Exploded view of the log guide (47773)

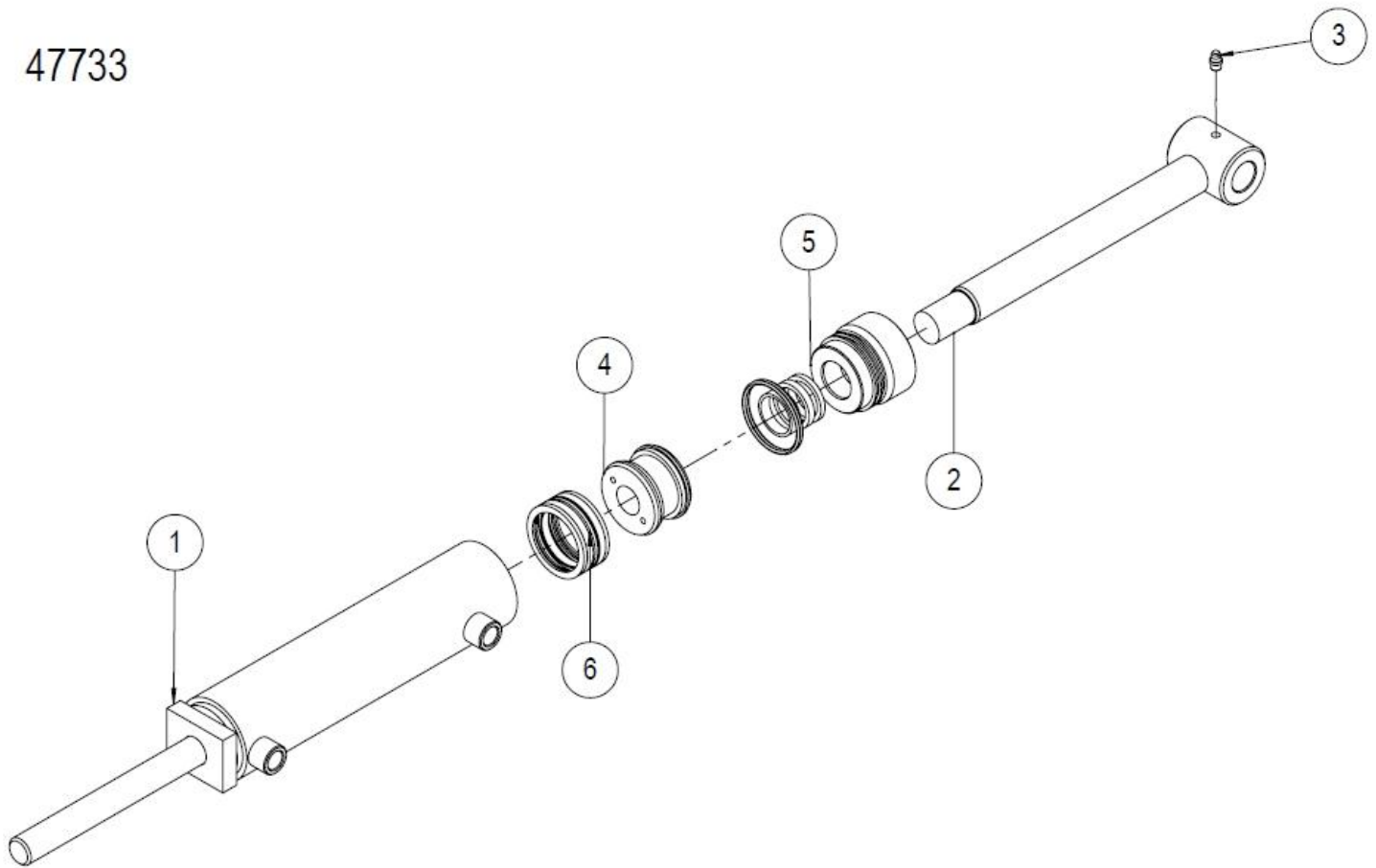


### 1.36 Log guide (47773) parts list

No.	Part number_Name	Pcs
1	47774_Guide rod	1
2	47440_Link plate	1
3	47986_Wood support	1
4	96222_Locking nut DIN 985 M8	3
5	96218_Locking nut DIN 985 M12	1
6	96187_Locking screw DIN 603 M8x20	2
7	96061_Washer DIN 125 A8	2
8	95048_Ball bearing 6203 2Z	1
9	96160_Hexagonal screw DIN 933 M8x12	1
10	96049_Washer DIN 125 A10	1
11	96138_Hexagonal screw DIN 933 M10x20	1
12	96151_Hexagonal screw DIN 933 M12x80	1
13	96128_Hexagonal screw DIN 931 M8x75	1
14	95432_Double torsion spring D5	1

### 1.37 Exploded view of the splitting blade cylinder (47733)

47733

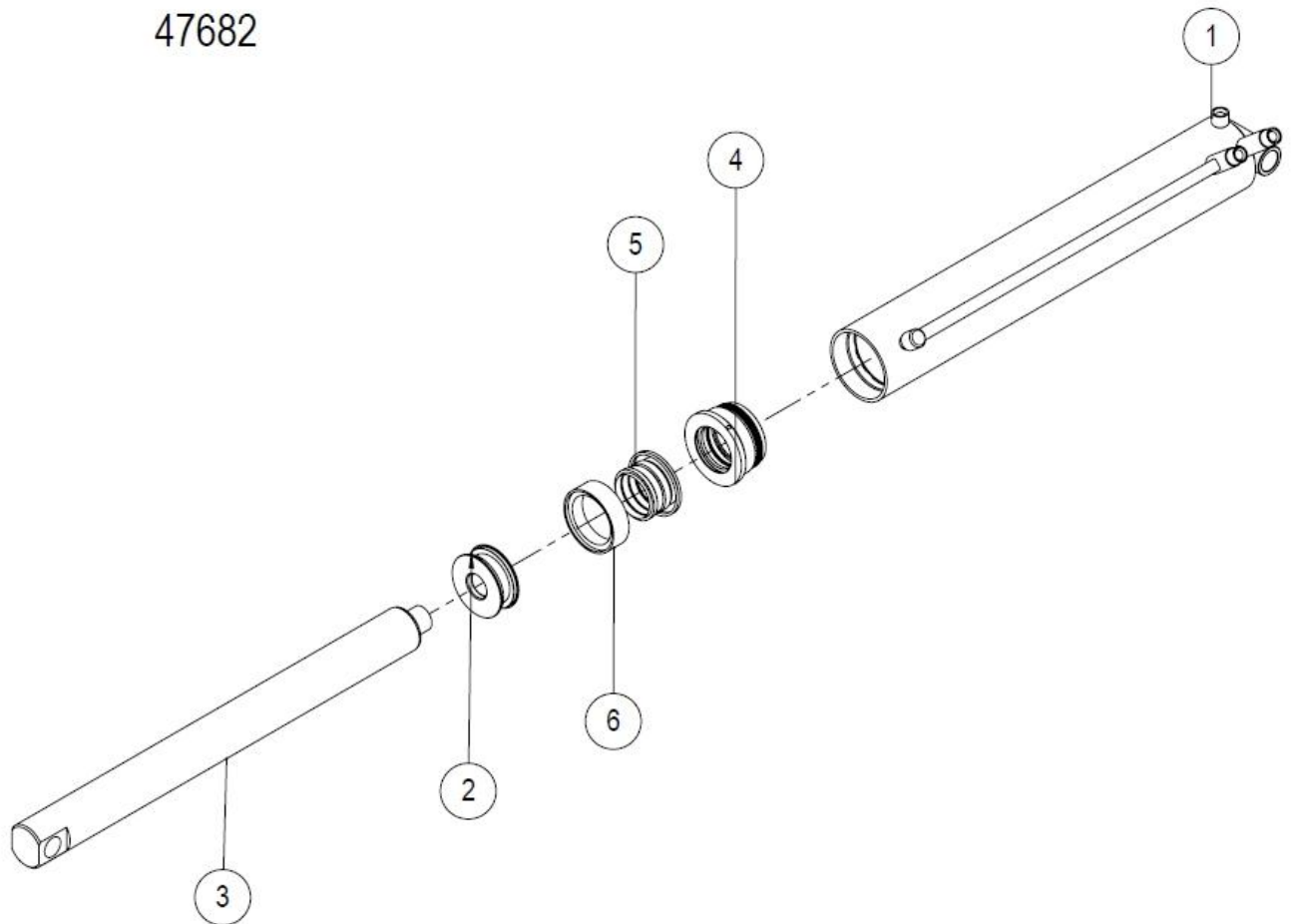


### 1.38 Splitting blade cylinder (47733) parts list

No.	Part number_Name	Pcs
1	47466_Cylinder pipe	1
2	10281_Cylinder arm	1
3	96276_Lubrication nipple M8X1	1
4	10664_Plunger Ø63.32 and Ø63.45	1
5	47735_Plunger arm guide 63/32	1
6	97295_Seal kit D 63/32	1

### 1.39 Exploded view of the splitting cylinder (larger)

47682

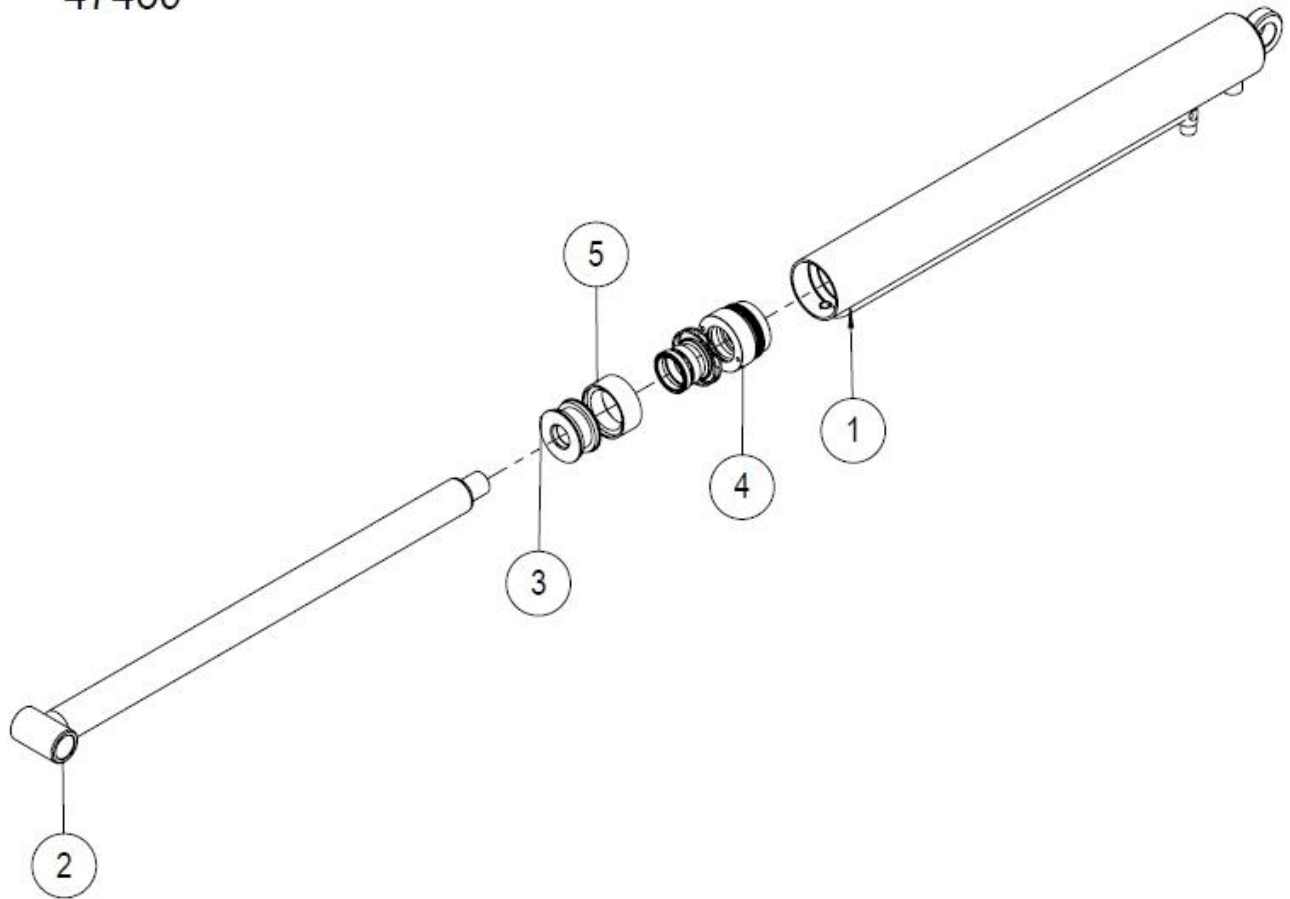


### 1.40 Splitting cylinder (47682) parts list

No.	Part number	Pcs
1	47683_Cylinder pipe	1
2	47483_Cylinder plunger	1
3	47492_Cylinder arm Ø75	1
4	47685_Arm control D110 d75	1
5	97387_Seal kit 110/75	1
6	?_Plunger seal kit D110	1

### 1.41 Exploded view of the splitting cylinder (smaller)

47459

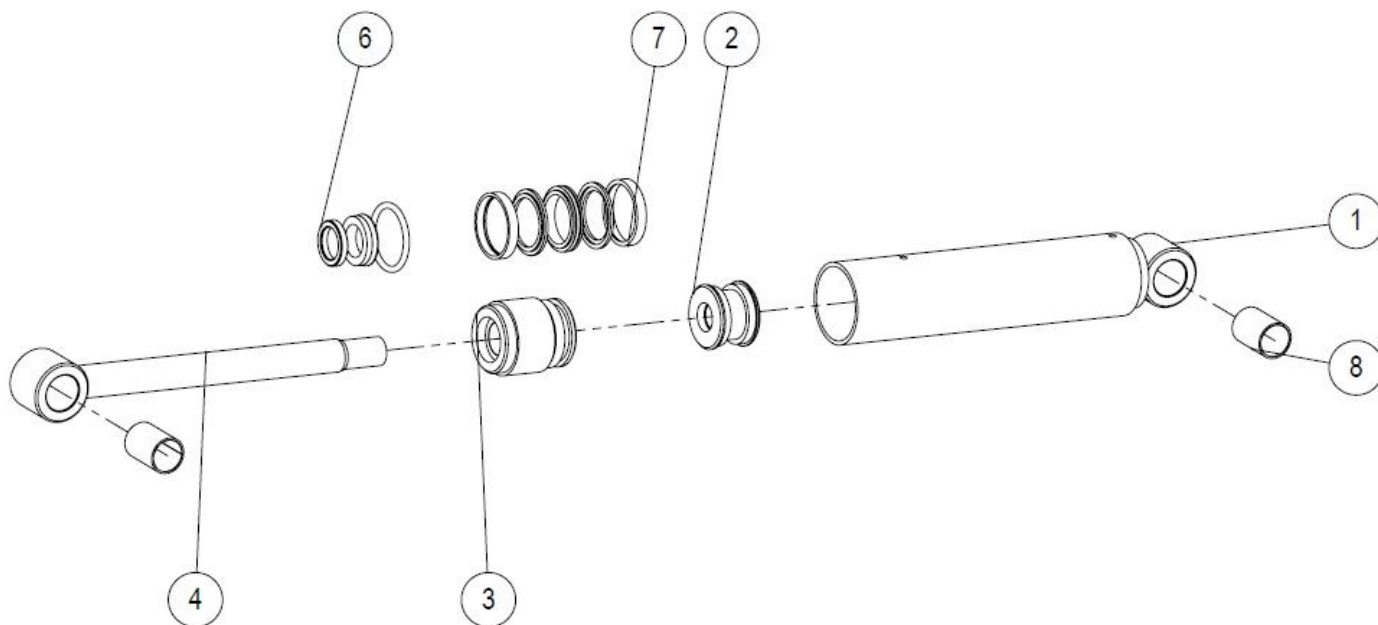


### 1.42 Splitting cylinder (47459) parts list

No.	Part number	Pcs
1	47431_Cylinder pipe Ø80	1
2	47430_Cylinder arm Ø 50	1
3	47777_Cylinder plunger	1
4	60587_Arm control Ø90,80-50	1
5	97366_Cylinder seal kit D80-50	1

### 1.43 Wood press cylinder

47381

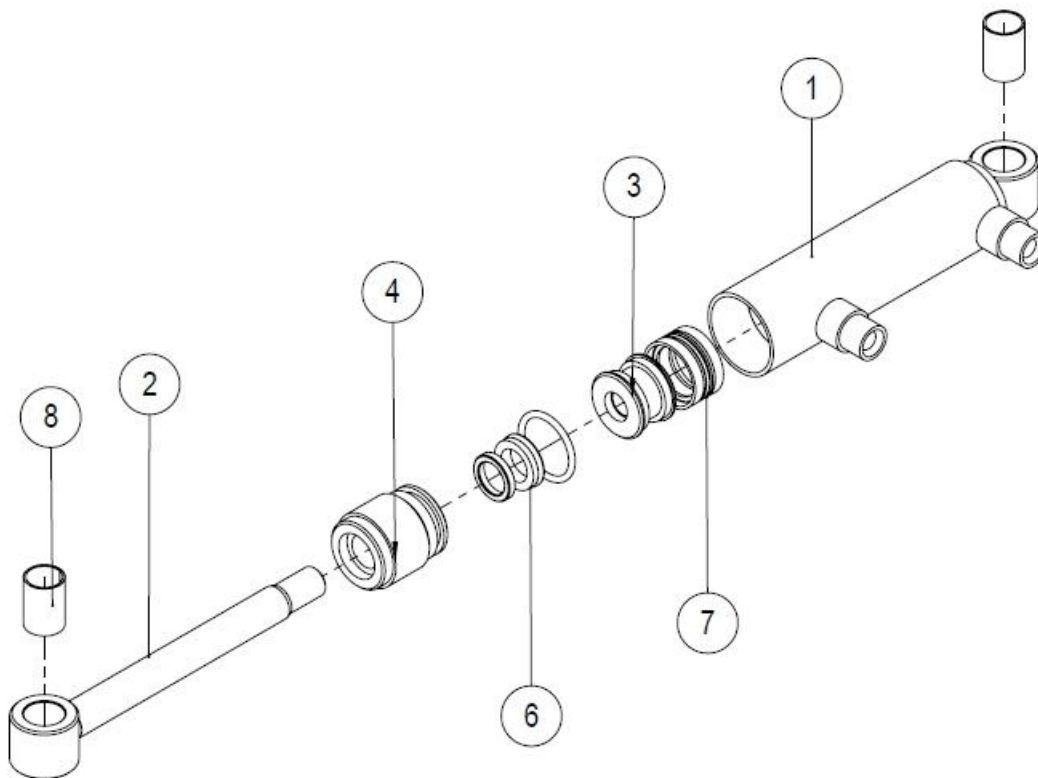


### 1.44 Wood press cylinder (47381) parts list

No.	Part number	Pcs
1	47747_Cylinder pipe	1
2	10270_Cylinder plunger	1
3	10269_Cylinder arm control	1
4	47382_Cylinder arm	1
8	95064_Oil bronze bearing 18x16x25	2
6	97293_Arm guide seals 32/16	1
7	97293_Plunger seals 32	1

## 1.45 Cutting flange cylinder

10242

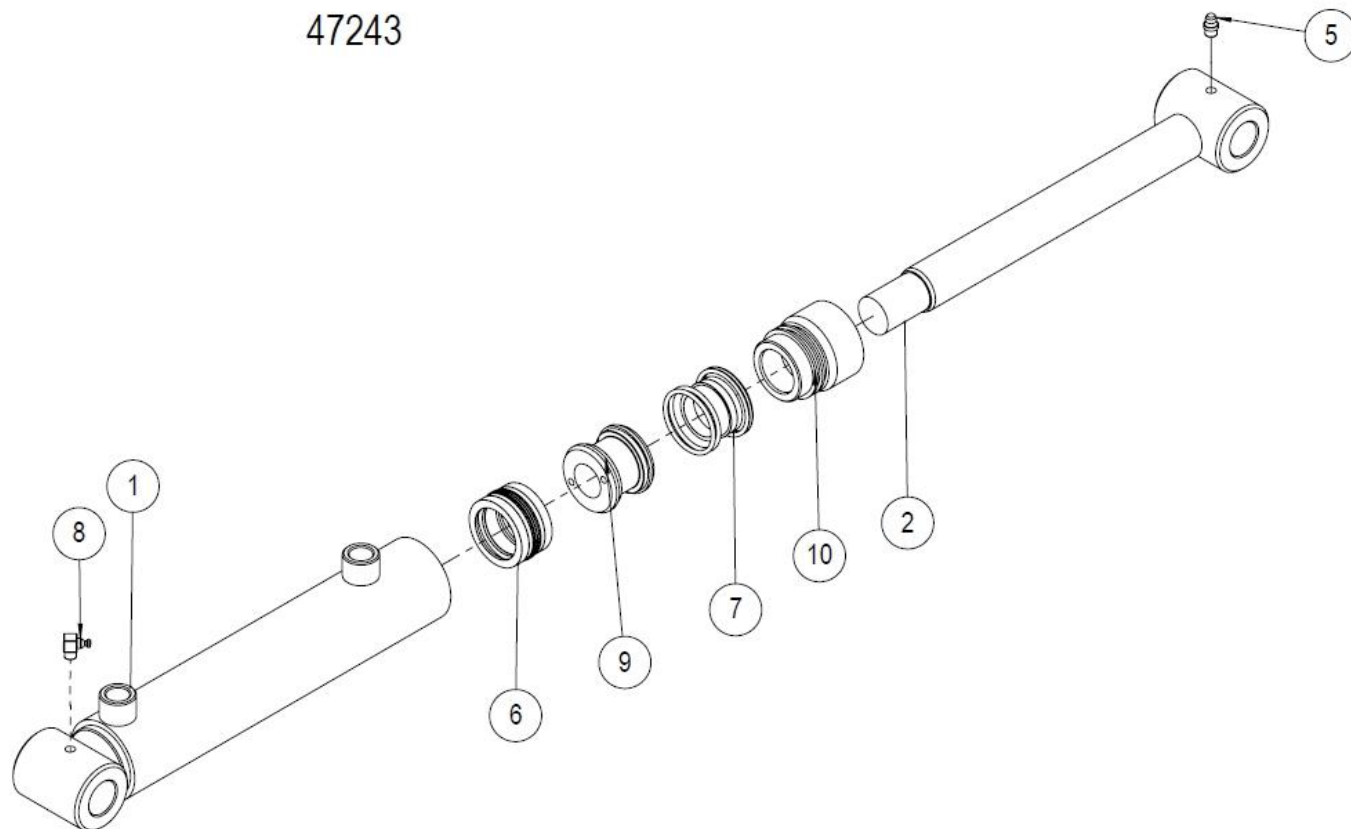


## 1.46 Cutting flange cylinder (10242) parts list

No.	Part number_Name	Pcs
1	47734_Cylinder pipe	1
2	47732_Cylinder arm	1
3	10270_Cylinder plunger	1
4	10269_Cylinder handle control	1
8	95064_Oil bronze bearing 18x16x25	2
6	97293_Arm guide seals 32/16	1
7	97293_Plunger seals 32	1



## 1.47 Exploded view of the conveyor turning cylinder (47243)



## 1.48 Conveyor turning cylinder (47243) parts list

No.	Part number	Pcs
1	10282_Cylinder pipe	1
2	10281_Cylinder arm	1
5	96276_Lubrication nipple M8X1	1
6	97294_Plunger seal kit 50/32	1
7	97294_Arm guide seals 50/32	1
8	96275_Lubrication nipple M8x1 90 GR	1
9	10260_Plunger	1
10	10261_Arm control	1