

HakkiPilke 38

brown wire is
positive & blue wire
is negative

Easy

SPARE PARTS MANUAL FOR LOG SPLITTER



MAASELÄN KONE OY

Valimotie 1, FI-85800 Haapajärvi, Finland

Tel. +358 (0) 8 772 7300, Fax +358 (0) 8 772 7320

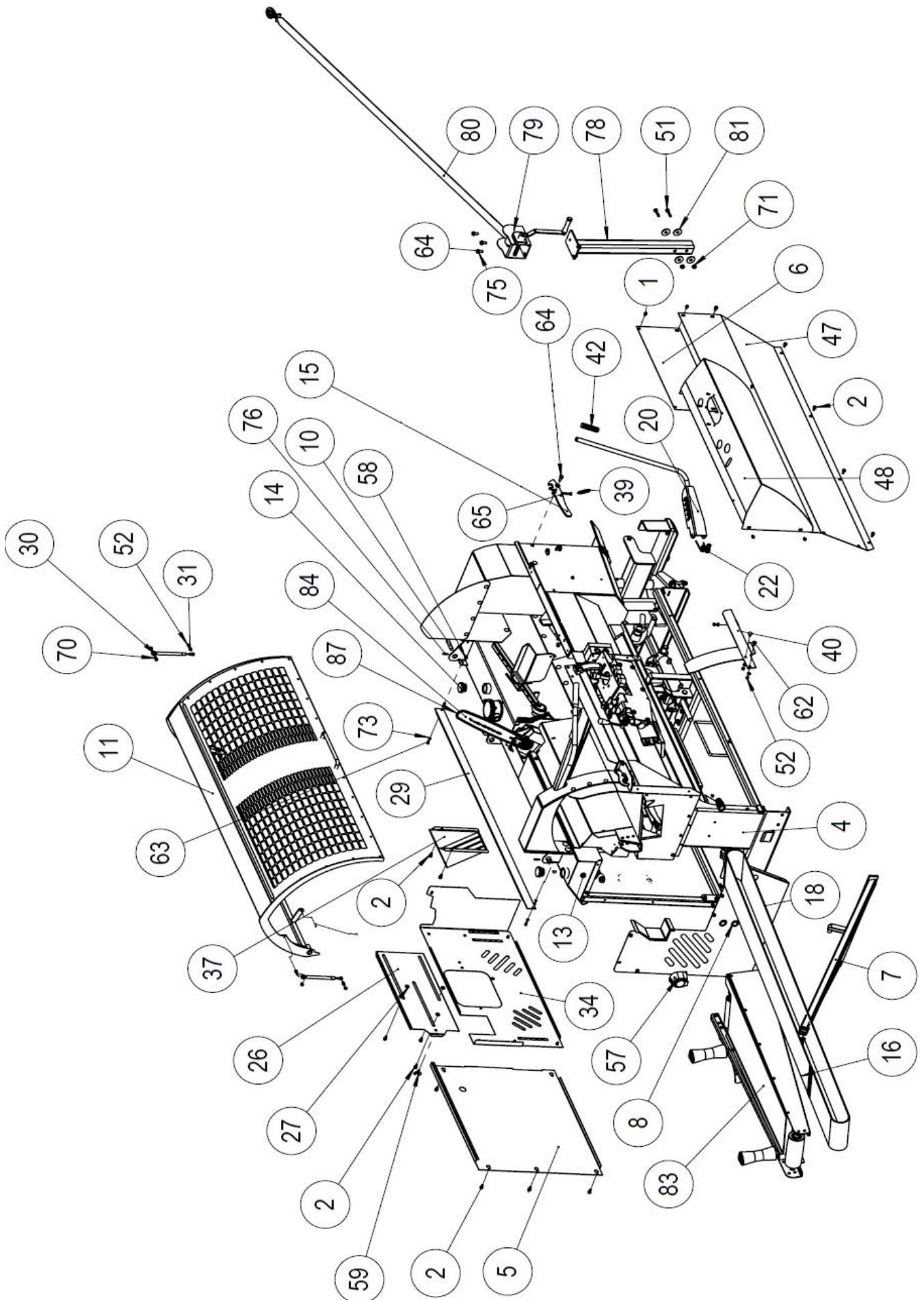
info@maaselankone.fi

www.maaselankone.fi

Contents

1. 1	Exploded view of the machine	4
1. 2	Machine parts list	5
1.3	Exploded view of the frame	6
1. 4	Frame parts list	7
1.5	Exploded view of the frame 2.....	8
1. 6	Frame (2) parts list.....	9
2. 1	Exploded view and parts lists of the lower section of the output conveyor (10801)	10
2.2	Exploded view and parts lists of the upper section of the output conveyor (37400).....	11
2. 3	Exploded view and parts lists of the output conveyor (10714)	12
2. 4	Exploded view and parts lists of the belt of the output conveyor (10317).....	13
3. 1	Exploded view and parts list of the log holder extension (37631).....	14
3. 2	Exploded view and parts list of the log holder (37319).....	15
3.3	Exploded view and parts list of the tensioning roller of the input conveyor (37524).....	16
3. 4	Exploded view and parts list of the middle roller of the input conveyor (37528)	17
3. 5	Exploded view and parts list of the pincher roll of the input conveyor	18
4. 1	Exploded view and parts list of the saw unit.....	19
4. 2	Exploded view and parts list of the saw motor	20
4. 3	Exploded view and parts list of the saw drive end	21
4. 4	Exploded view and parts list of the saw unit cylinder (10242)	22
5. 1	Exploded view and parts list of the control panel.....	23
6. 1	Exploded view and parts list of the wood press (37600)	24
7. 1	Exploded view and parts list of the mechanical measuring device.....	25
7. 2	Exploded view and parts list of the optical measuring device	26
7. 3	Exploded view and parts list of the optical eye and casing.....	27
8. 1	Exploded view and parts list of the filter.....	28
9. 1	Exploded view and parts list of the splitting blade guard	29
10. 1	Exploded view and parts list of the power transmission (the combi model, 37611).....	30
10.2	Exploded view and parts list of the power transmission (the tr model, 37611).....	31
10. 3	Exploded view and parts list of the electrical motor.....	32
11. 1	Exploded view and parts list of the splitting cylinder (37510)	33
11. 2	Exploded view and parts list of the splitting blade cylinder (60915)	34
12. 1	Figures and part numbers of the splitting blades	35

1.1 Exploded view of the machine

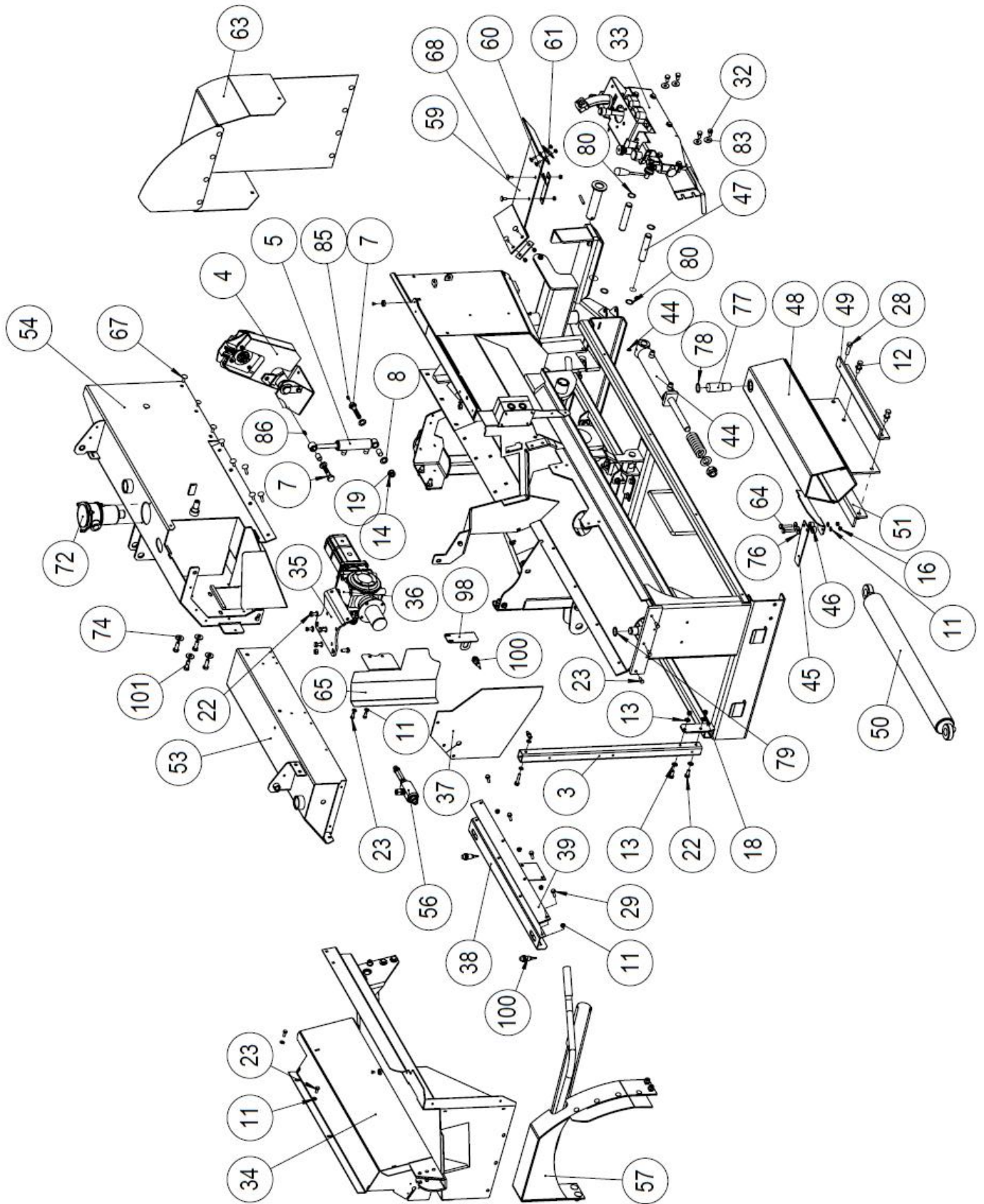


1. 2 Machine parts list

No.	Part number_Name	Pcs
2	96172_Flange bolt M8x16	29
4	37374_Frame, tank and log holder etc.	1
5	37455_Maintenance hatch	1
6	37463_Cover sheet	1
7	37390_Input conveyor support	1
8	97388_Quick coupling female 1.2 automatic	4
10	47967_Cage pin	2
11	37430_Upper guard	1
13	97446_Oil gauge	1
14	97429_Filler cap	2
15	47089_Output conveyor locking latch	1
16	95128_Input conveyor belt	1
18	37283_End of the input end	1
20	10815_Conveyor lock	1
22	95432_Double torsion spring	1
26	37513_Slide plate	1
27	37341_Insert	3
29	37447_Baffle board	1
30	95539_Gas pressure spring +95541 +95542	2
31	95550_Ball head with screw	2
32	37561_Wood length limiter	1
34	37340_Rear cover, electrically operated model	1
37	37551_Sawdust guide	1
39	95029_Draw spring Ø2x15 L=80	1
40	37546_Plate for the extra guard of the cutting blade	1

42	95034_Handle	1
47	37439_Front cover plate	1
48	37367_Console	1
51	96111_Hexagonal screw 931/8.8ZN M12x90	2
52	96222_Locking nut DIN 985 M8	10
57	95201_Socket	1
58	96221_Locking nut DIN 985 M6	2
59	95264_Wing nut DIN 315 M8	1
60	96077_Spring pin DIN 1481 8x40	2
62	96187_Locking screw DIN 603 M8x20	2
63	96135_Hexagonal screw DIN 933 M6x20	2
64	96139_Hexagonal screw DIN 933 M10x25	13
65	96166_Hexagonal screw DIN 933 M8x35	1
66	96150_Hexagonal screw DIN 933 M12x60	1
70	96164_Hexagonal screw DIN 933 M8x25	4
71	96218_Locking nut DIN 985 M12	9
73	96060_Washer DIN 125 A6	4
75	96049_Washer DIN 125 A10	17
76	96080_Spring cotter DIN 1481 96080_6x30	2
78	10825_Fastening pipe for the winch	1
79	95328_Winch	1
80	95068_Winch strap with hook	1
81	96306_Washer DIN 440 M12	4
83	37631_Log holder extension	1
84	95147_Blade flange 16"	1
87	95416_Blade chain 67 links 0.325 1.5mm	1

1.3 Exploded view of the frame

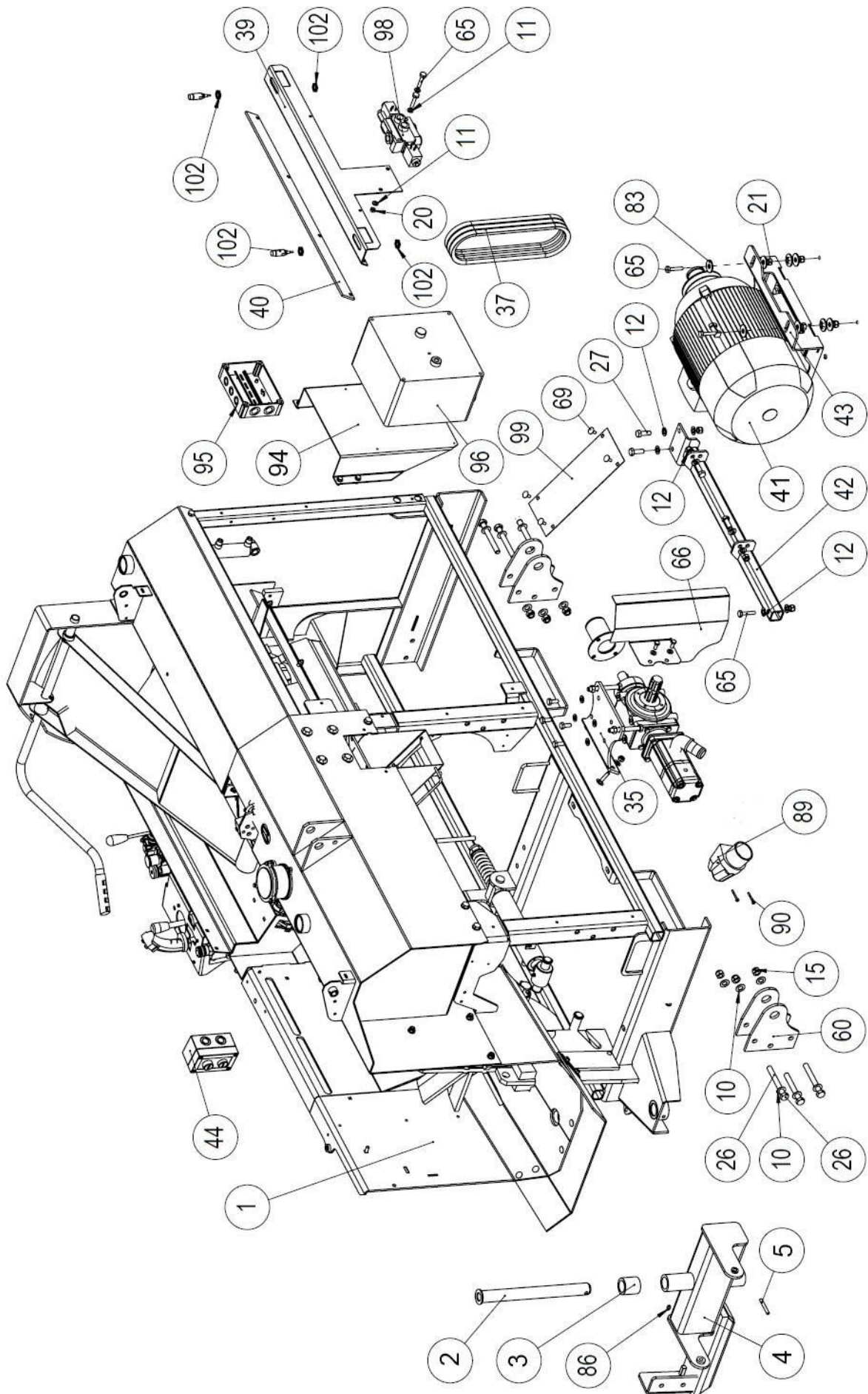


1.4 Frame parts list

No.	Part number	Pcs
3	37473_Tubular beam	1
4	37179_Drive end	1
5	10242_Cylinder	1
7	37550_Hexagonal screw M16	2
8	96059_Washer DIN 125 A16	4
11	96061_Washer DIN 125 A8	42
12	96058_Washer DIN 125 A12	22
13	96049_Washer DIN 125 A10	18
14	96219_Locking nut DIN 985 M16	2
15	96211_Locking nut DIN 985 M14	6
16	96222_Locking nut DIN 985 M8	8
18	96068_Locking nut DIN 985 M10	12
19	96195_Hexagonal nut DIN 934 M16	1
22	96139_Hexagonal screw DIN 933 M10x25	7
23	96161_Hexagonal screw DIN 933 M8x20	16
28	96149_Hexagonal screw DIN 933 M12x45	3
29	96165_Hexagonal screw DIN 933 M8x30	6
32	96138_Hexagonal screw DIN 933 M10x20	6
33	37467_Valve rack	1
34	37319_Log holder	1
35	37298_Bed for the angle transmission	1
36	95324_Angle transmission	1
37	37345_Drive end protective belt	1
38	37285_Sensor rack	1
39	37343_Plastic insert	1
44	60915_Splitting blade adjustment cylinder	1
45	37347_Trigger of the splitting mechanism	1
46	10464_Release bushing	2

47	61180_Pin	2
48	37344_Slider	1
49	37007b_Slide attaching plate (right)	1
50	37510_Cylinder	1
51	37007a_Slide attaching plate	1
53	37474_Chain oil tank assembly	1
54	37149_Oil tank	1
56	47671_Blade chain oil pump	1
57	37600_Wood press, complete	1
59	95496_Splitting groove rubber 1X37	1
60	37596_Rubber fastening lower plate	1
61	37595_Rubber attaching plate	1
63	37607_Splitting blade guard	1
65	37573_Belt guard	1
67	96186_Locking screw DIN 603 M10x25	8
68	96187_Locking screw DIN 603 M8x20	12
72	97291 Filter box	1
74	96253_Sesco plate M12	4
76	96082_Washer DIN 440 M8	2
77	37013b_Pin 96	1
78	96240_Retaining ring DIN 472 35	1
79	96044_Retaining ring DIN 471 30	1
80	96042_Retaining ring DIN 471 25	5
83	96064_Washer DIN 9021 M10	6
85	96276_Lubrication nipple M8X1	3
86	96275_Lubrication nipple M8x1 90 GR	1
98	37612_Sensor lug	1
100	95535_Sensor	3
101	96147_Hexagonal screw DIN 933 M12x35	7

1.5 Exploded view of the frame 2

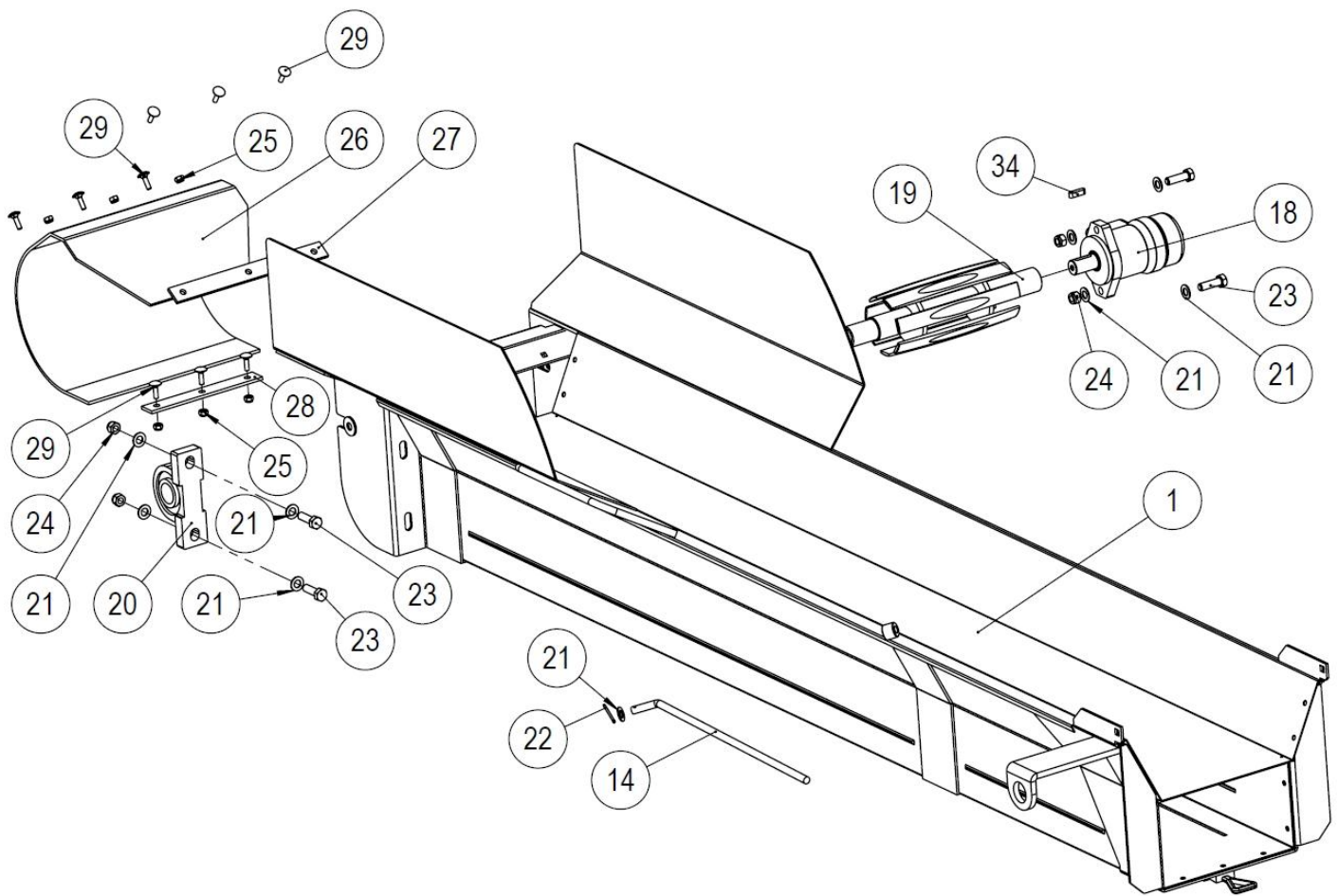


1.6 Frame (2) parts list

No.	Part number	Pcs
1	37380_Frame and splitting groove etc.	1
2	37507_Fastening pin of the turning device	1
3	38540_Bushing	1
4	10600_Conveyor turning device	1
5	96079_Spring cotter DIN 481	1
10	96051_Washer DIN 125 A14	12
11	96061_Washer DIN 125 A8	47
12	96058_Washer DIN 125 A12	22
15	96211_Locking nut DIN 985 M14	6
20	96196_Hexagonal nut DIN 934 M8	20
21	96200_Hexagonal nut DIN 934 M12	12
26	96295_Hexagonal screw DIN 933 M14x120	5
27	96147_Hexagonal screw DIN 933 M12x35	5
35	37298_Bed for the angle transmission	1
37	95091_V-belt Li B35	3
39	37285_Sensor rack	1
40	37343_Plastic insert	1

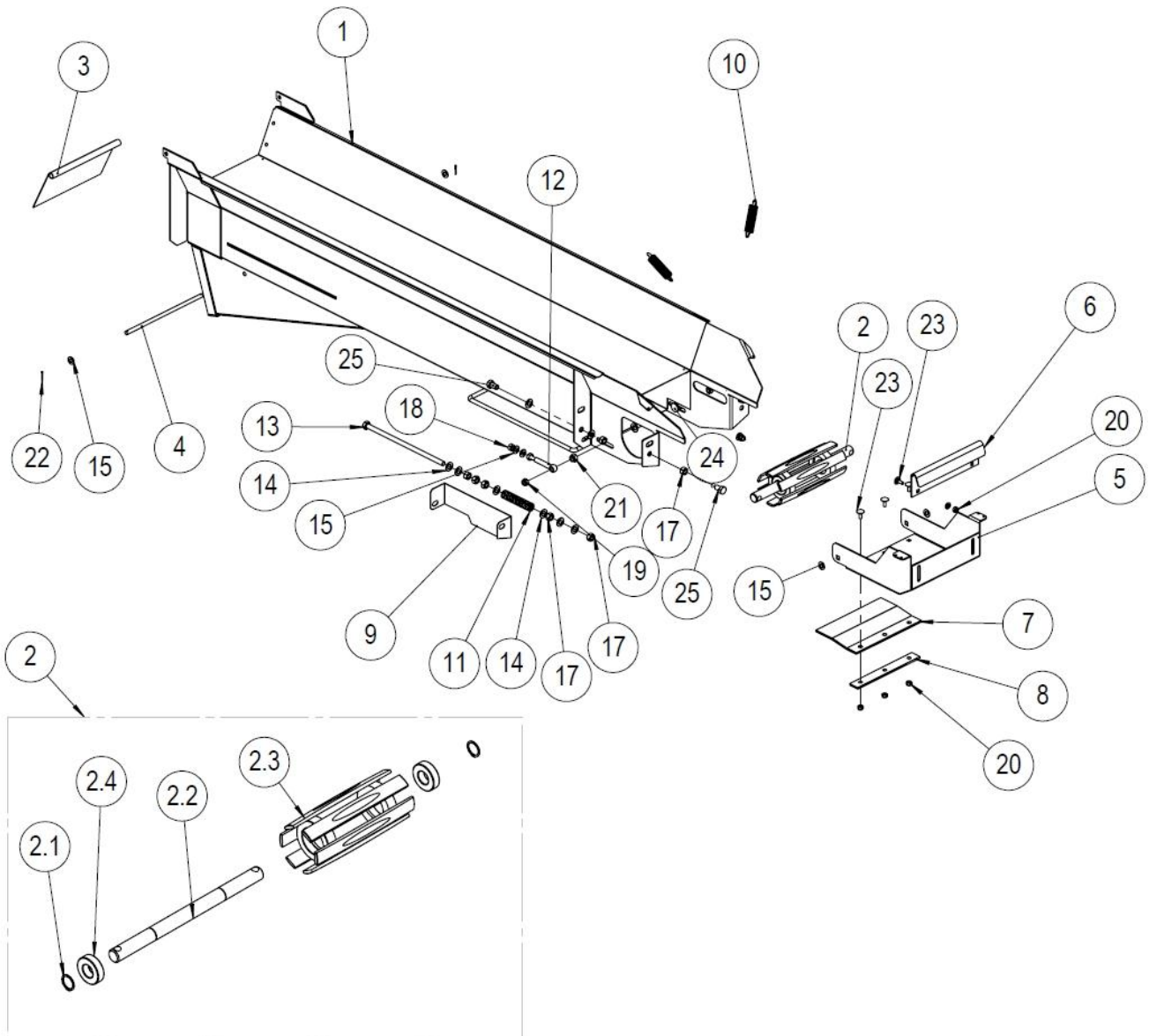
41	95041_Electric motor 10 kW	1
42	37514_Electric motor mount	1
43	37291_Bed for the electric motor	1
44	95160_Remote starter	1
60	37454_Lifting arm lug	4
66	37573_Belt guard	1
65	?_Hexagonal screw DIN 981 M10x45	8
69	96314_Locking screw DIN 603 M10x40	2
83	96340_Washer DIN 9021 M12	11
86	96276_Lubrication nipple M8X1	3
89	95163_32A Socket outlet	1
90	?_Groove screw DIN 84 M5x40	2
94	97338_Attaching plate	1
95	95556_Relay box	1
96	95157_Starter 10 kW	1
97	37553_Fastener for the safety switch	1
98	97576_Splitting valve	1
99	37580_Plate for the sawdust box	1
102	95535_Sensor	3

2.1 Exploded view and parts lists of the lower section of the output conveyor (10801)



No.	Part number_Name	Pcs
1	10801_Conveyor frame	1
14	10819_Belt holder	1
18	97334_Hydraulic motor OMP-50	1
19	10817_Output conveyor drive roller	1
20	95058_Bearing unit, UCP207	1
21	96058_Washer DIN 125 A12	9
22	96246_Cotter pin DIN 94 96246_3.2x32	1
23	96148_Hexagonal screw DIN 933 M12x40	4
24	96218_Locking nut DIN 985 M12	4
25	96222_Locking nut DIN 985 M8	9
26	61162_Lower protective belt for the conveyor (folded)	1
27	61172_Conveyor rubber baffle attaching plate	2
28	61173 Attaching plate for the rubber baffle	1
29	96191_Locking screw DIN 603 M8x25	9
34	97371_Wedge for the hydraulic motor	1

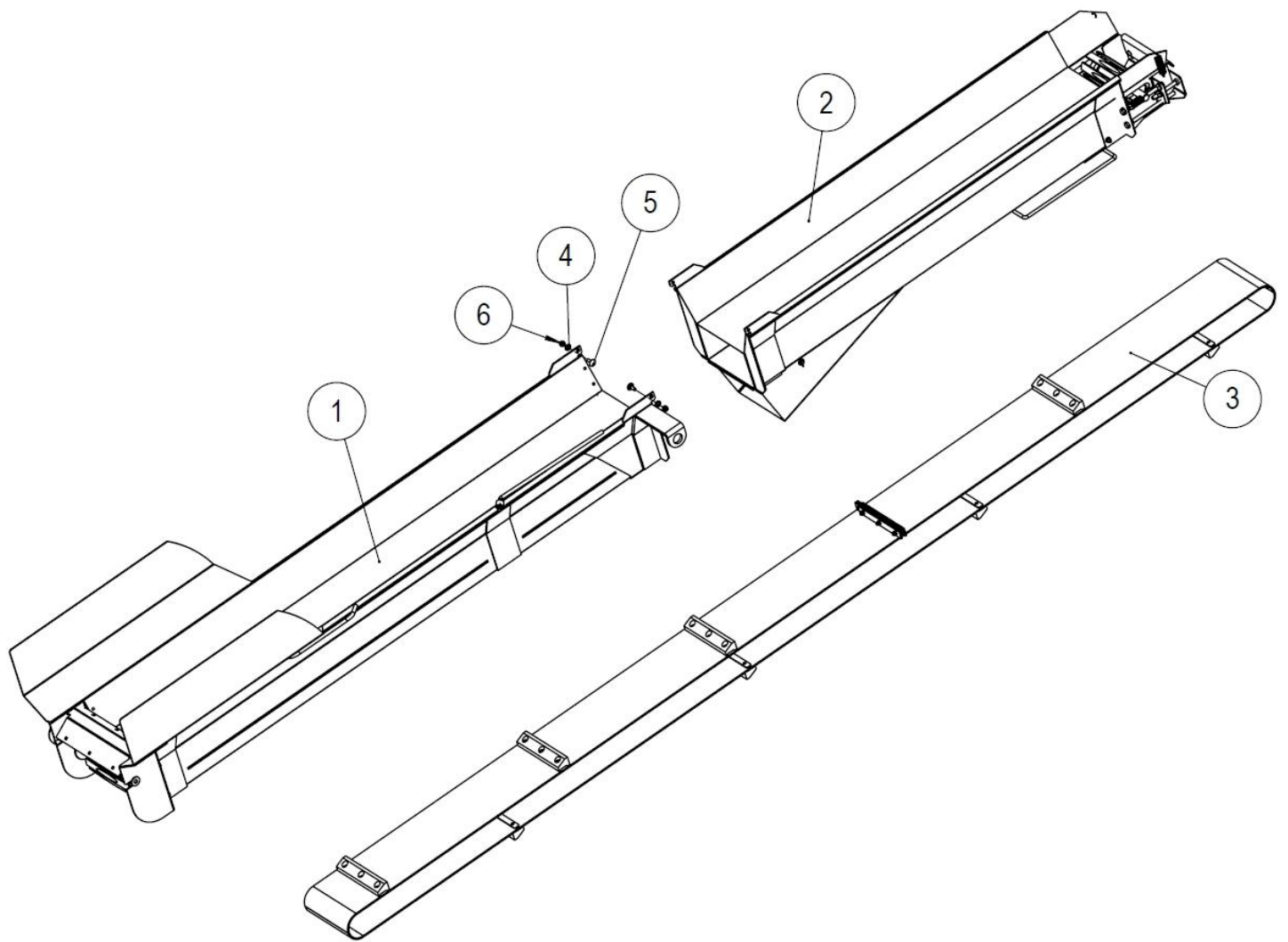
2.2 Exploded view and parts lists of the upper section of the output conveyor (37400)



No.	Part number_Name	Pcs
1	10832_Frame of the upper part	1
2	10132_Conveyor upper roller	1
2.1	96042_Retaining ring DIN 471 25	2
2.2	10132b_Shaft for the conveyor upper roller	1
2.3	10142_Conveyor upper roller	1
2.4	95050_Bearing 6205 2 rs	2
3	37414_Debris opening guard plate	1
4	37411_Link rod	1
5	10834_Debris separator	1
6	37412_Lip plate	1
7	10864_Debris separator rubber	1
8	10136_Belt connection plate	1
9	10858_Protective plate for the roller	1
10	95390_Draw spring 2x20x100, yellow-passivated	2

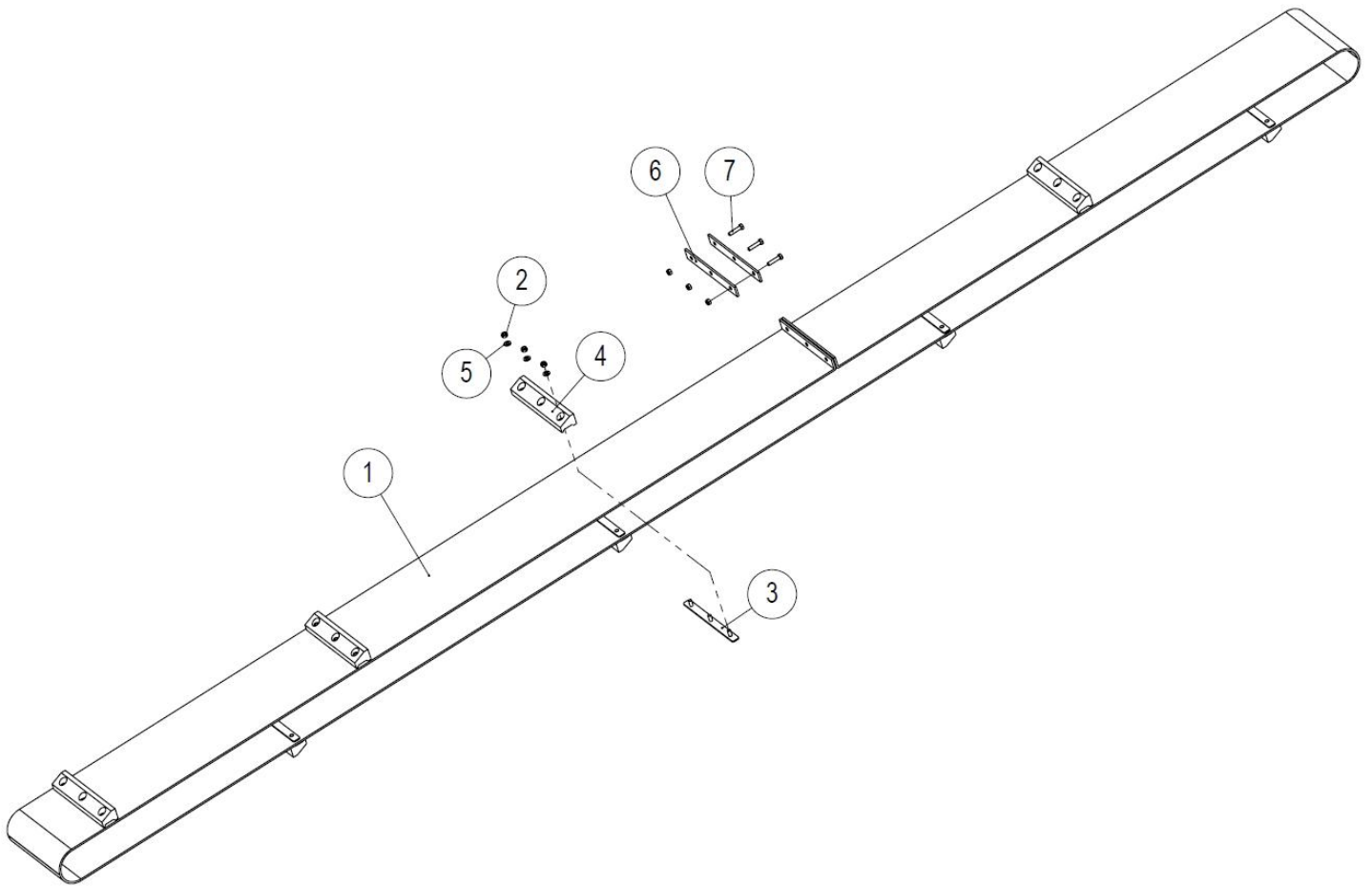
11	95543_Pressure spring d4 D22 L100	2
12	96338_M10x90 Screw hoop DIN 444	2
13	96355_Hexagonal screw 933 M12x280	2
14	96058_Washer DIN 125 A12	17
15	96049_Washer DIN 125 A10	8
16	96061_Washer DIN 125 A8	2
17	96200_Hexagonal nut DIN 934 M12	12
18	96199_Hexagonal nut DIN 934 M10	4
19	96068_Locking nut DIN 985 M10	2
20	96222_Locking nut DIN 985 M8	5
21	96218_Locking nut DIN 985 M12	2
22	96244_Cotter pin DIN 94 96244_2.5x20	2
23	96187_Locking screw DIN 603 M8x20	5
24	96312_Locking screw DIN 603 M10x50	2
25	96144_Hexagonal screw DIN 933 M12x20	2

2.3 Exploded view and parts lists of the output conveyor (10714)



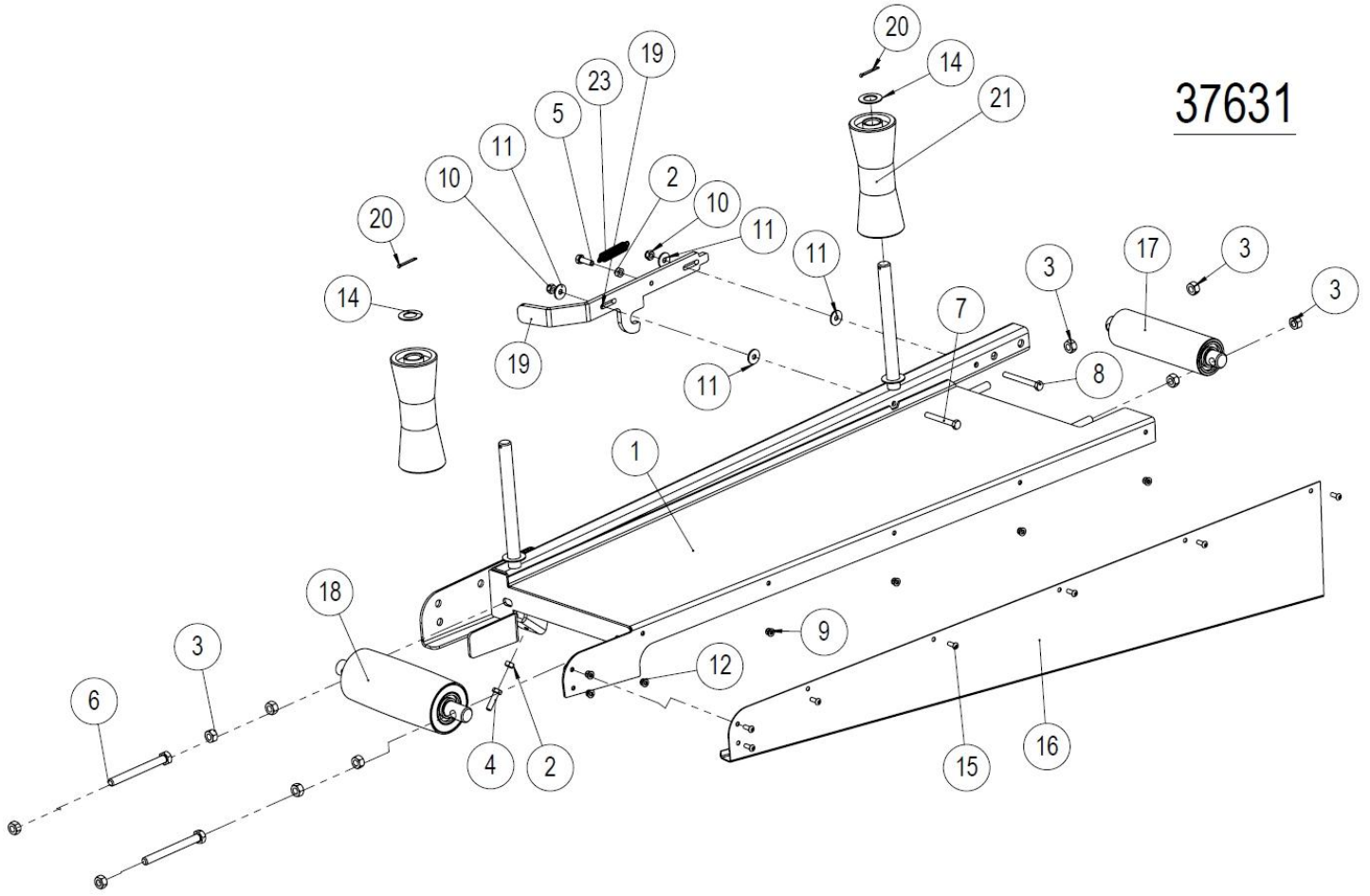
No.	Part number_Name	Pcs
1	10801_Conveyor bottom	1
2	37400_Conveyor upper part with debris discharge	1
3	10317_Conveyor belt, complete	1
4	96049_Washer DIN 125 A10	2
5	96186_Locking screw DIN 603 M10x25	2
6	96068_Locking nut DIN 985 M10	2

2.4 Exploded view and parts lists of the belt of the output conveyor (10317)



No.	Part number_Name	Pcs
1	95126_Conveyor belt 240EP 250.2+0 L=8130	1
2	96222_Locking nut DIN 985 M8	27
3	10851_Conveyor fastening	8
4	95548_Plastic plate	8
5	96061_Washer DIN 125 A8	24
6	10136_Belt connection plate	2
7	96166_Hexagonal screw DIN 933 M8x35	3

3.1 Exploded view and parts list of the log holder extension (37631)

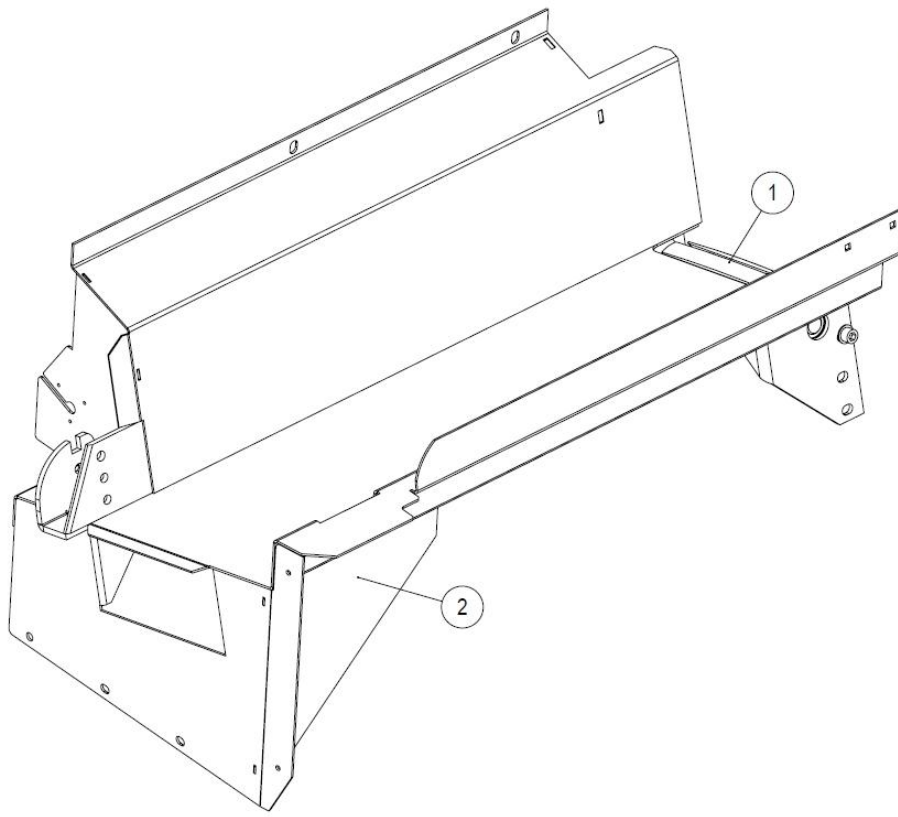


37631

No.	Part number_Name	Pcs
1	37476_Log holder extension	1
2	96196_Hexagonal nut DIN 934 M8	2
3	96200_Hexagonal nut DIN 934 M12	10
4	96165_Hexagonal screw DIN 933 M8x30	1
5	96164_Hexagonal screw DIN 933 M8x25	1
6	96142_Hexagonal screw DIN 933 M12x120	2
7	96127_Hexagonal screw DIN 931 M8x65	1
8	96128_Hexagonal screw DIN 931 M8x75	1
9	96221_Locking nut DIN 985 M6	7
10	96222_Locking nut DIN 985 M8	3
11	?_Nyloc washer	4
12	96060_Washer DIN 125 A6	7
13	96061_Washer DIN 125 A8	1
14	96053_Washer DIN 125 A20	2
15	96004_Hex socket screw ISO 7380 M6x16	7
16	37584_Widening extension for the table extension	1
17	37528_Carryover roll	1
18	37524_Tensioning roller	1
19	37535_Lock	1
20	96246_Cotter pin DIN 94 3.2x32	2
21	95001_Keel roller	2
23	95423_Draw spring Ø2x15 L=75	1

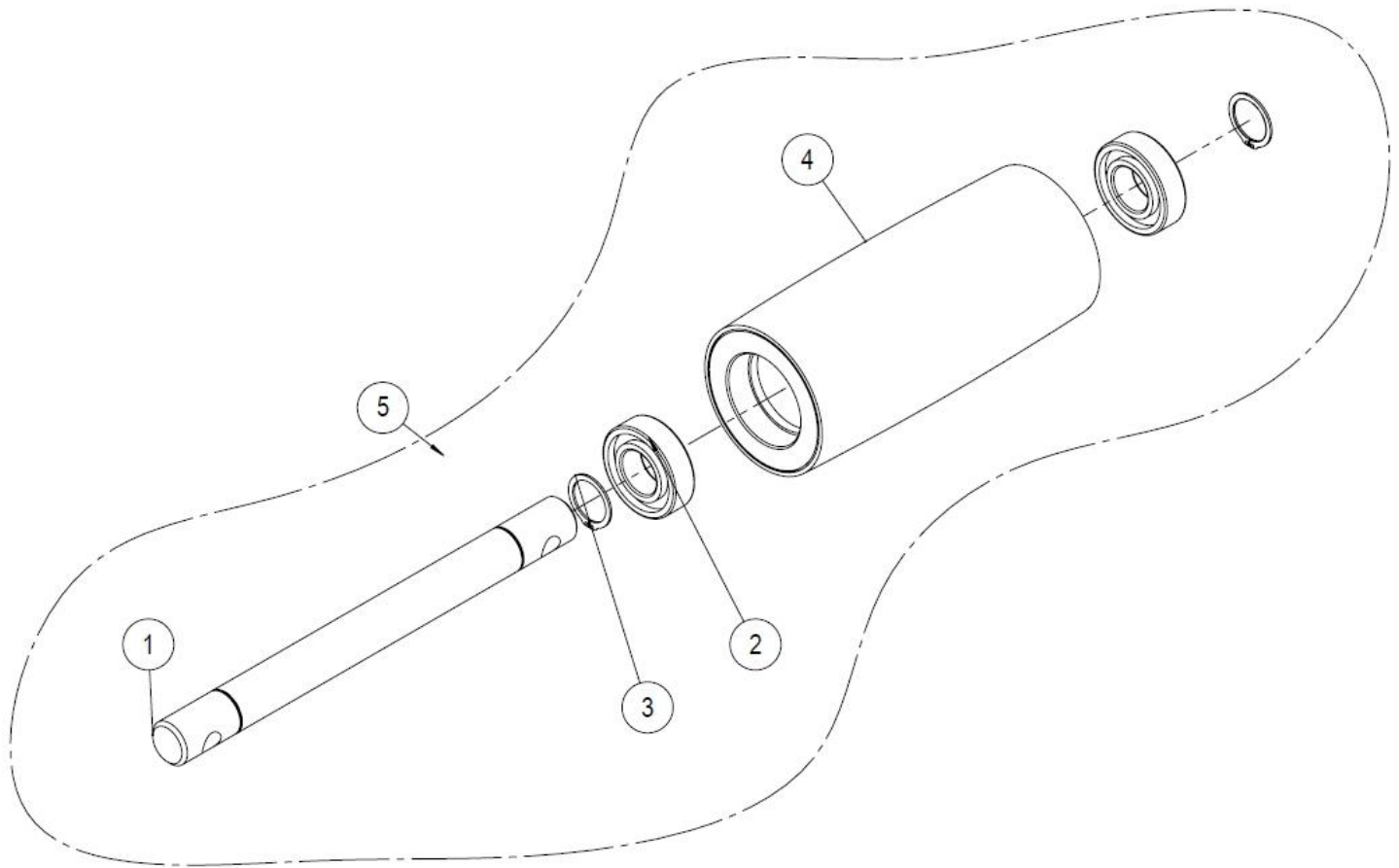
3.2 Exploded view and parts list of the log holder (37319)

37319



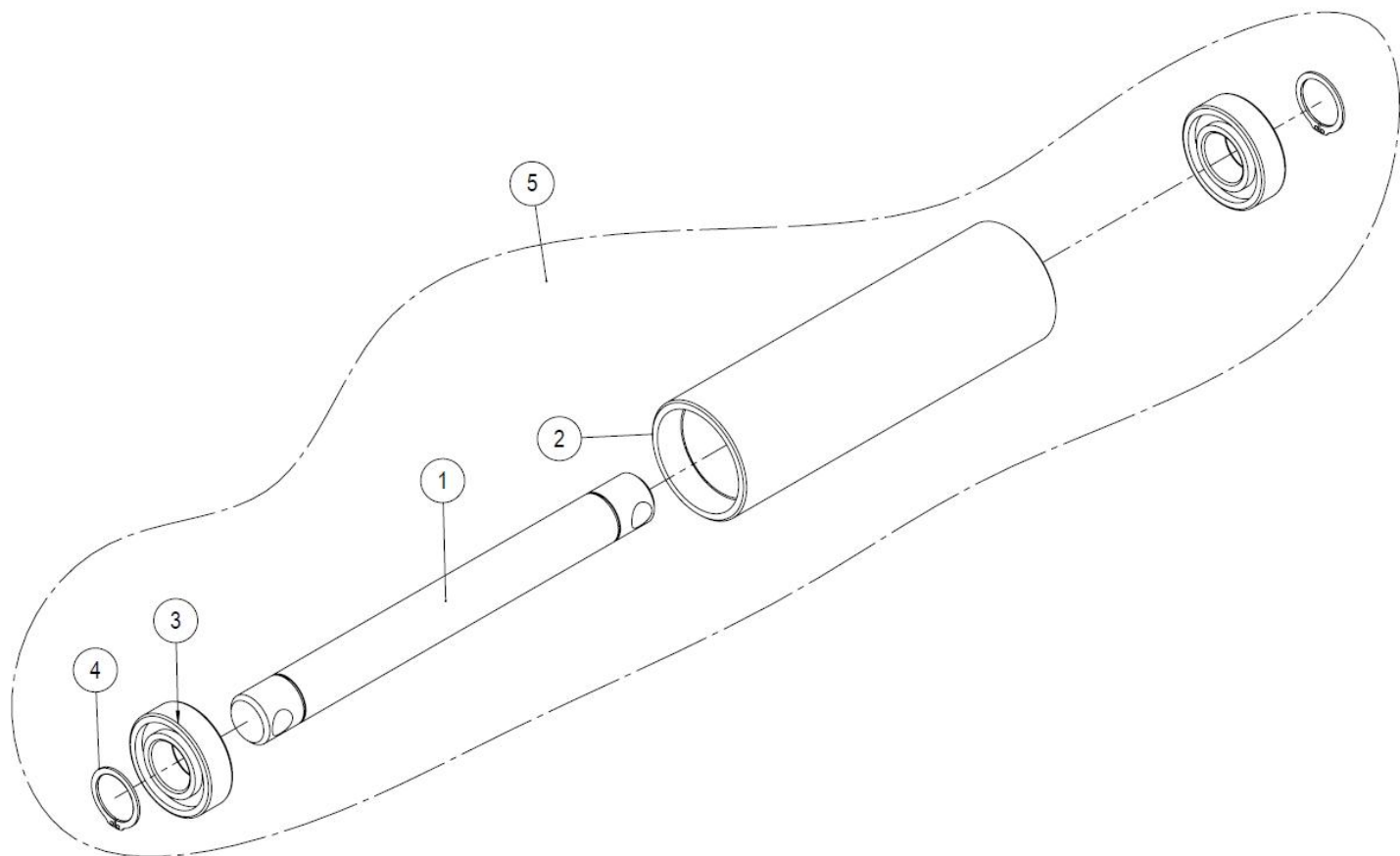
No.	Part number_Name	Pcs
1	37282_Drive roller assembly	1
2	37319_Log holder	1

3.3 Exploded view and parts list of the tensioning roller of the input conveyor (37524)



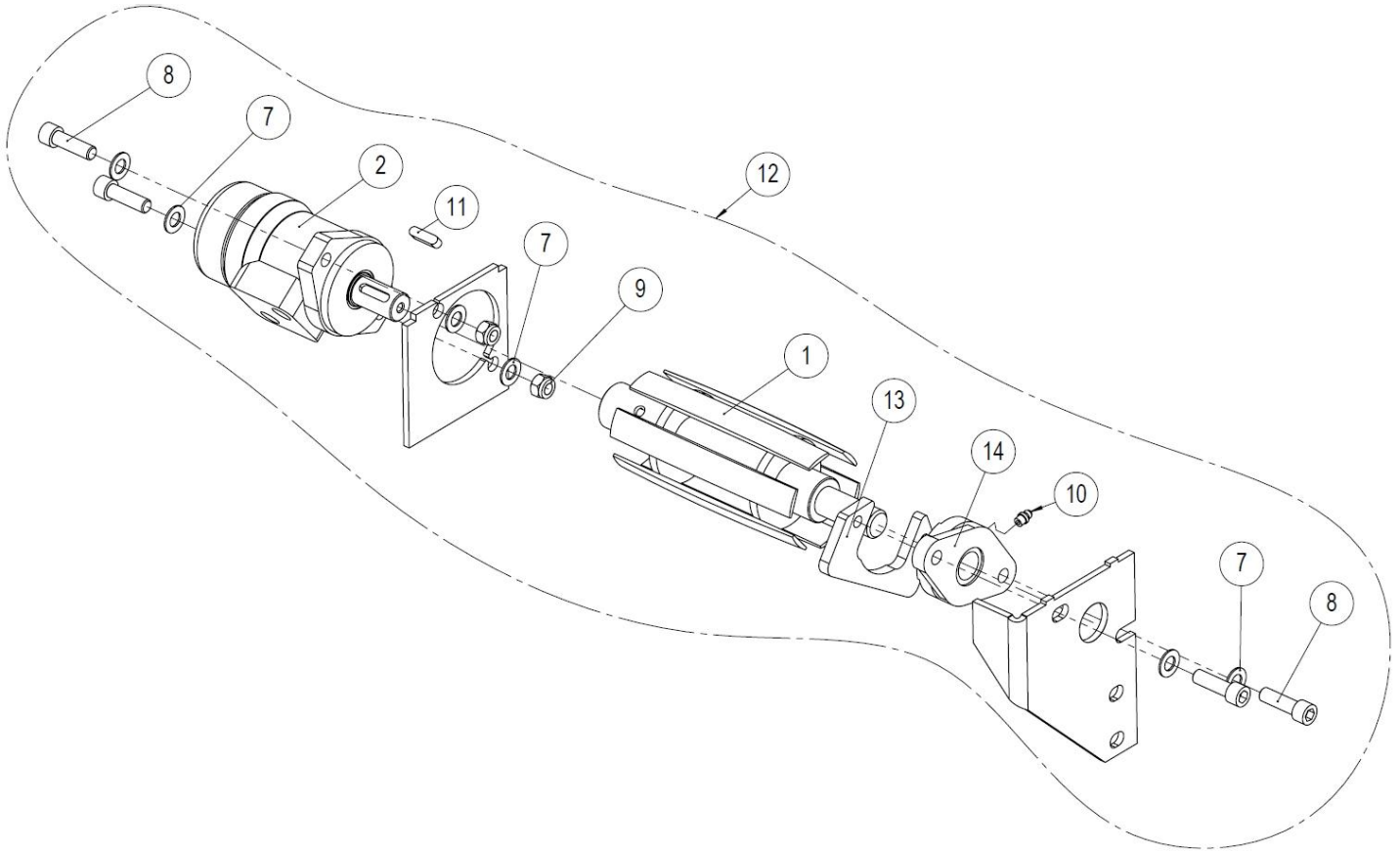
No.	Part number_Name	Pcs
1	37529_Pressure roller shaft	1
2	95050_Bearing SKF- 6205	2
3	96042_Retaining ring DIN 471_25	2
4	37509_Tensioning roller	1
5	37524_Tensioning roller	1

3.4 Exploded view and parts list of the middle roller of the input conveyor (37528)



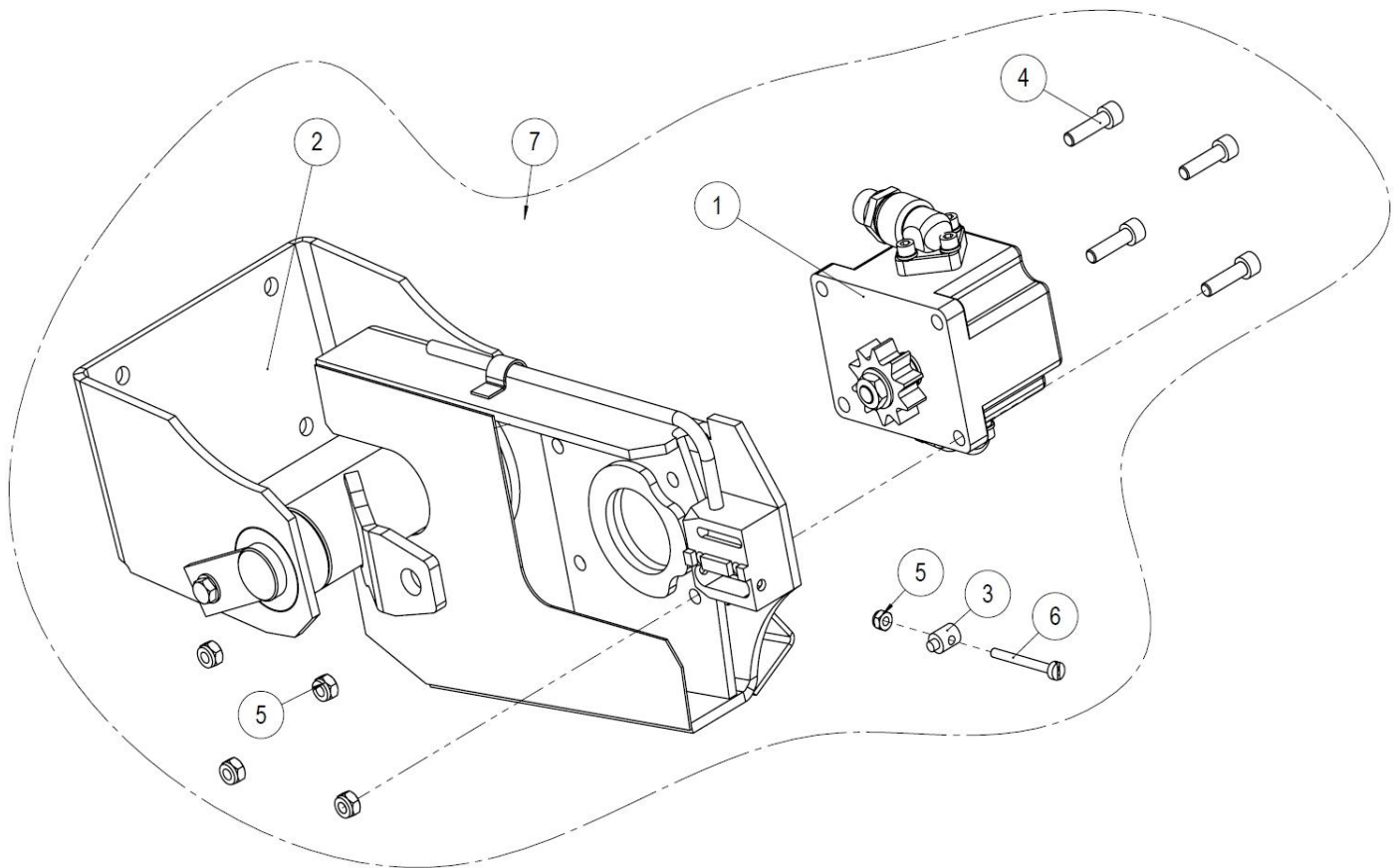
No.	Part number_Name	Pcs
1	10160b_Carryover roll shaft	1
2	37527_Carryover roll pipe	1
3	95050_Bearing SKF- 6205	2
4	96042_Retaining ring DIN 471_25	2
5	37528_Carryover roll	1

3.5 Exploded view and parts list of the pincher roll of the input conveyor



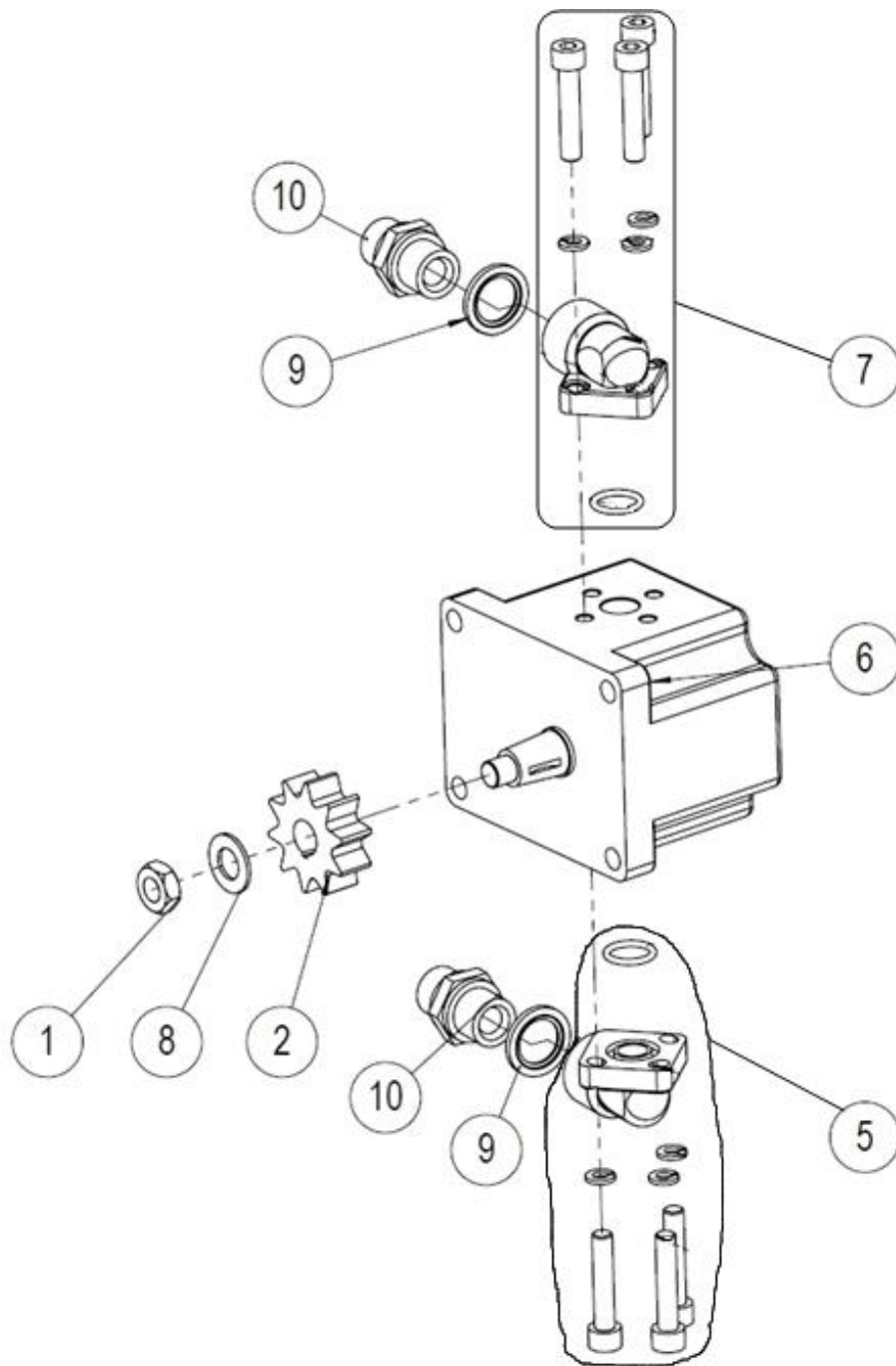
No.	Part number_Name	Pcs
1	10158_Input conveyor drive roller	1
2	97307_Hydraulicmotor 160 cc	1
5	37335_Drive roller attaching plate	1
6	37368_Hydraulic motor attaching plate	1
7	96058_Washer DIN 125 A12	6
8	96027_Hex socket screw DIN 912 M12x40	4
9	96218_Locking nut DIN 985 M12	2
10	96276_Lubrication nipple M8X1	1
11	97371_Wedge for the hydraulic motor	1
12	37282_Drive roller	1
13	47159b_Bearing attaching plate	1
14	95318_Bearing UC 205	1

4.1 Exploded view and parts list of the saw unit



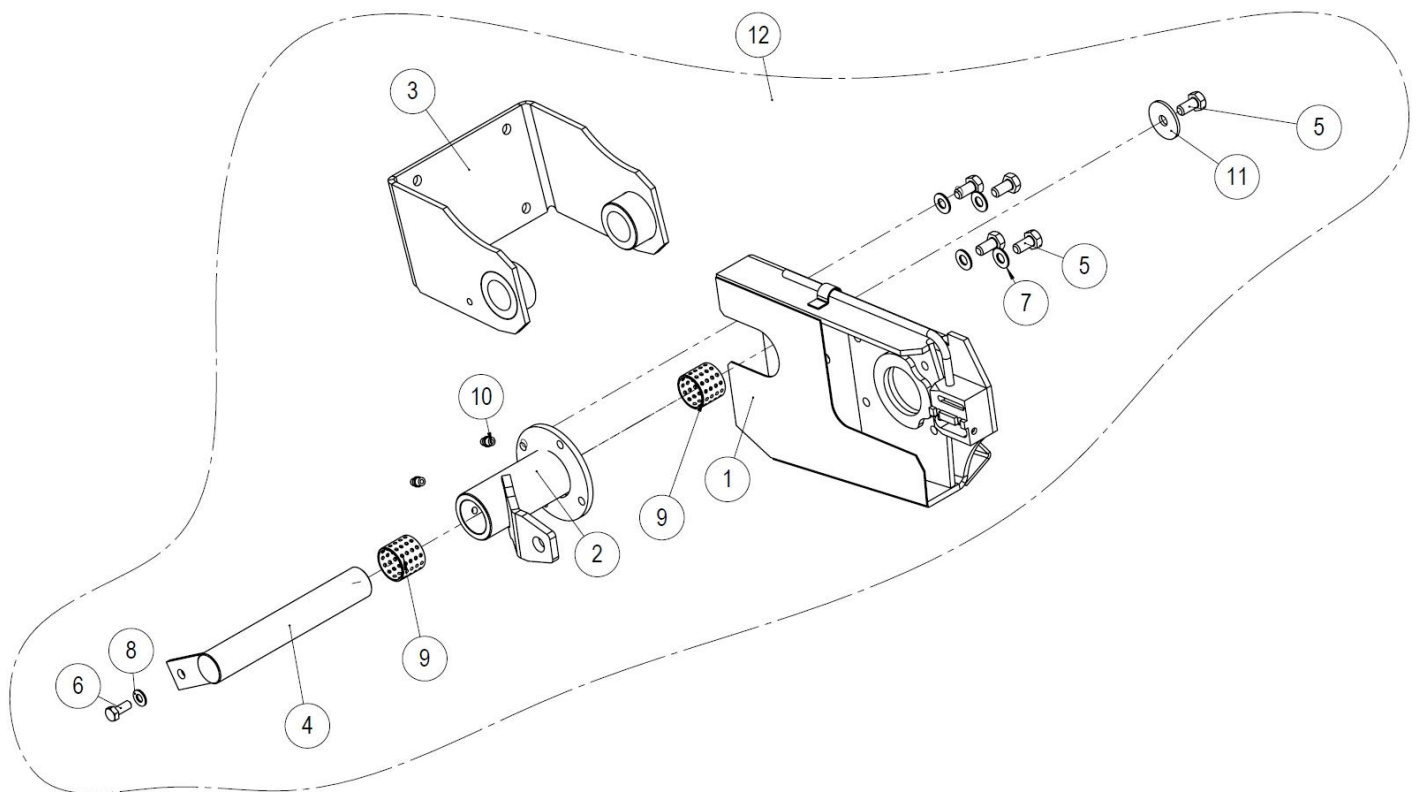
No.	Part number_Name	Pcs
1	37337_Gear motor and drive pulley	1
2	37628_Drive end assembly	1
3	10046_Flange tightening pin	1
4	96341_Hex socket screw DIN 912 M8x30	4
5	96221_Locking nut DIN 985 M6	5
6	96267_Groove screw DIN 84 M6x70	1
7	37179_Saw unit assembly	1

4.2 Exploded view and parts list of the saw motor



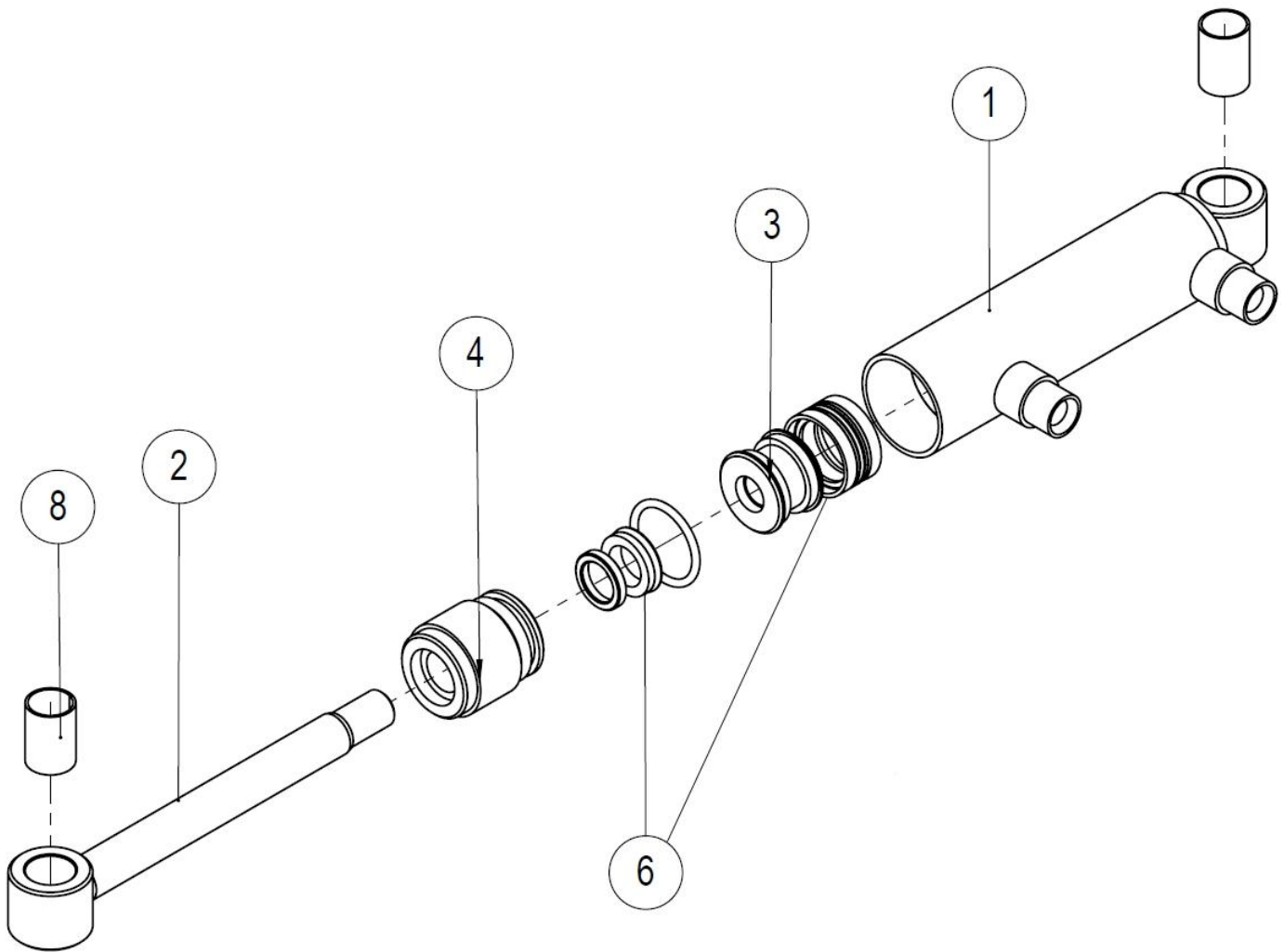
No.	Part number_Name	Pcs
1	96206_Hexagonal nut DIN 936 M12	1
2	37336_Drive pulley 325-10	1
5	47850_Connection flange, complete	1
6	97572_Gear motor 6.3 DH	1
7	47851_Connection flange, complete	1
8	96058_Washer DIN 125 A12	1
9	97213_USIT 1.2	2
10	97204_Double nipple, straight	2

4.3 Exploded view and parts list of the saw drive end



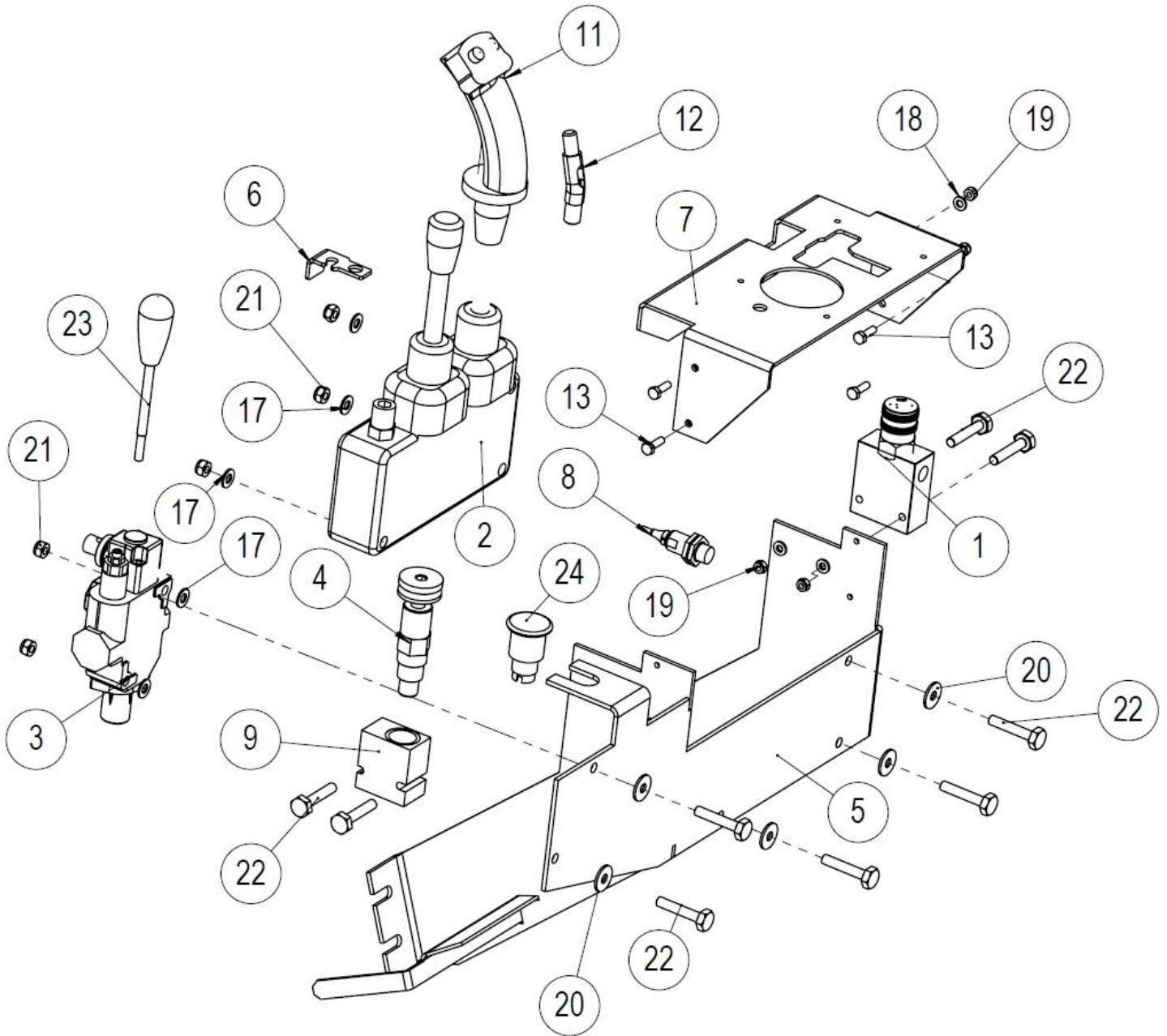
No.	Part number_Name	Pcs
1	37178_Drive end frame	1
2	37288_Drive end pipe	1
3	37296_Drive end attaching plate	1
4	47244_Drive end shaft	1
5	96138_Hexagonal screw DIN 933 M10x20	5
6	96161_Hexagonal screw DIN 933 M8x20	1
7	96049_Washer DIN 125 A10	4
8	96061_Washer DIN 125 A8	1
9	95276_Slide bearing	2
10	96276_Lubrication nipple M8X1	2
11	10492_Washer	1
12	37628_Drive end assembly	1

4.4 Exploded view and parts list of the saw unit cylinder (10242)



No.	Part number_Name	Pcs
1	47734_Cylinder pipe	1
2	47732_Cylinder arm	1
3	10270_Cylinder plunger	1
4	10269_Cylinder handle control	1
8	95062_Slide bearing 18x16x25	2
6	97293_Cylinder seal kit 32/16	1

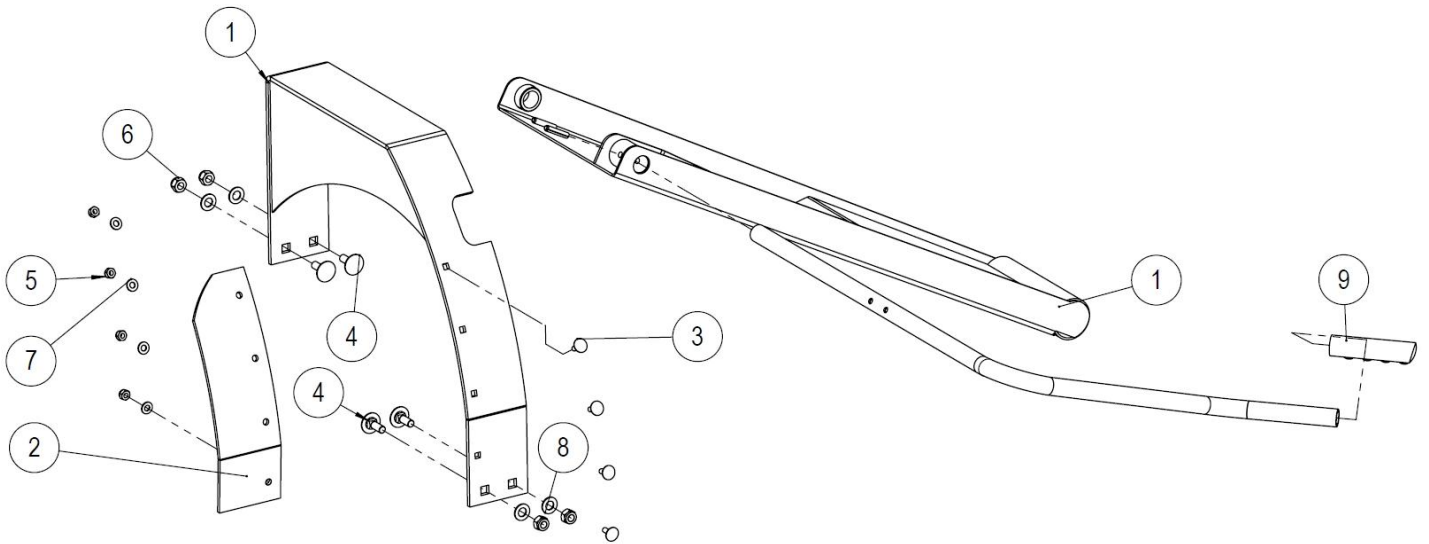
5.1 Exploded view and parts list of the control panel



No.	Part number_Name	Pcs
1	97524_Volume control valve	1
2	97408_Hydraulic valve	1
3	97402_Valve	1
23	97423_AL01 M8 120 lever	1
4	97427_Pressure adjustment cartridge	
5	37350_Control panel frame	1
6	37351_Sensor trigger	1
7	37363_Guide plate for the regulating valve	1
8	95535_Sensor	1
9	97420_Cartridge housing	1

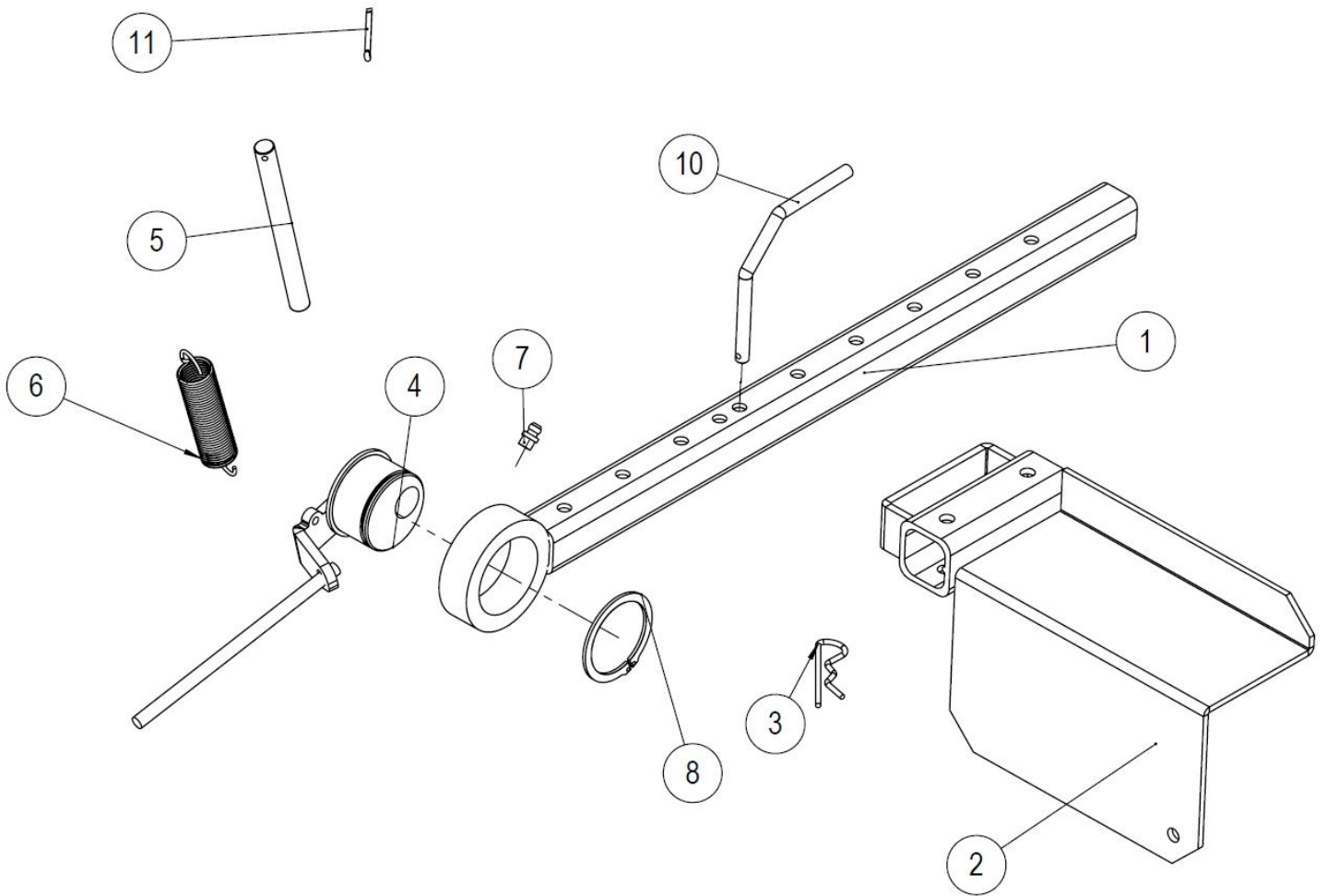
11	97415_Control handle	1
12	47531f_Joystick attachment arm	1
13	96135_Hexagonal screw DIN 933 M6x20	4
22	96098_Hexagonal screw DIN 931 M10x40	9
17	96061_Washer DIN 125 A8	5
18	96060_Washer DIN 125 A6	8
19	96221_Locking nut DIN 985 M6	8
20	96085_Washer DIN 9021 M8	5
21	96222_Locking nut DIN 985 M8	5
24	95537_Reversing button A22-MB	1

6.1 Exploded view and parts list of the wood press (37600)



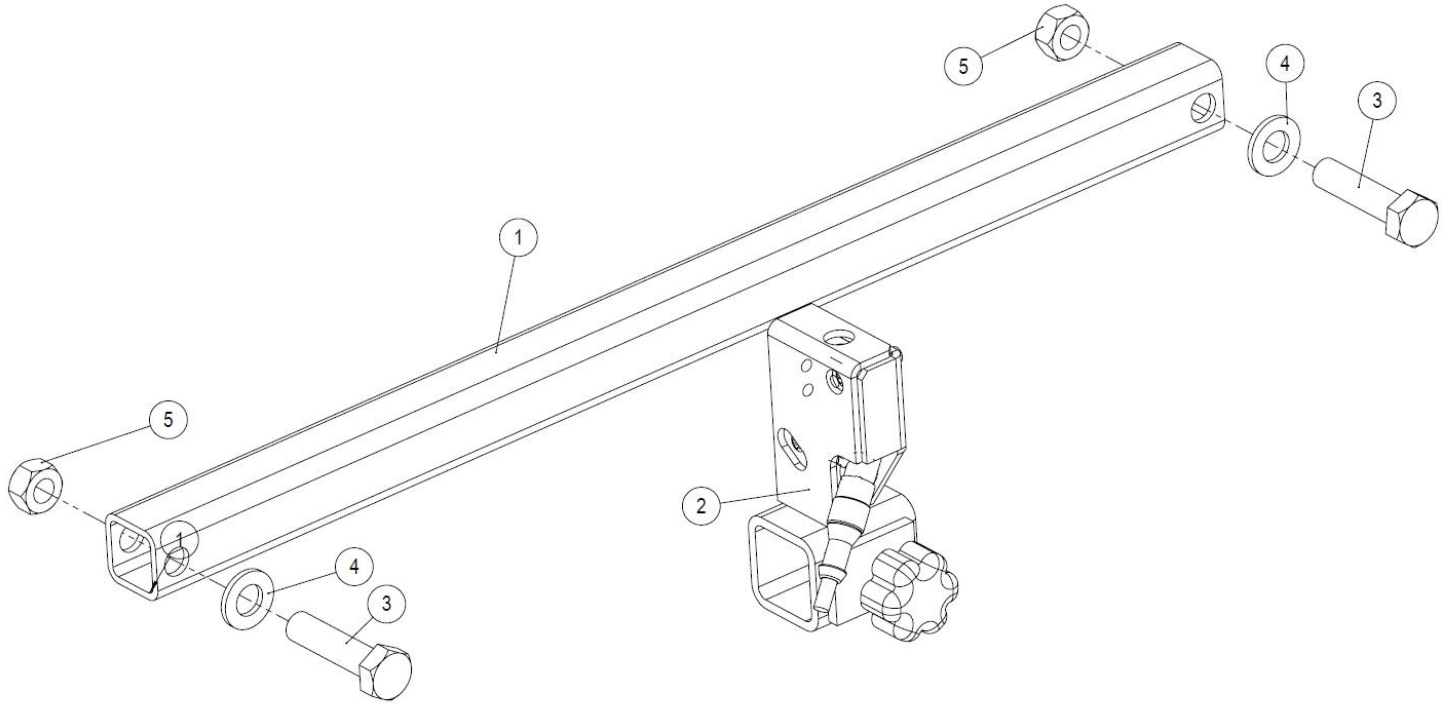
No.	Part number_Name	Pcs
1	37599_Attachment + wood press	1
2	37572_Front edge rubber cover	1
3	96187_Locking screw DIN 603 M8x20	4
4	96188_Locking screw DIN 603 M12x30	4
5	96222_Locking nut DIN 985 M8	4
6	96218_Locking nut DIN 985 M12	4
7	96061_Washer DIN 125 A8	5
8	96058_Washer DIN 125 A12	4
9	95595_Handle	1
10	37600_Wood press, complete	1

7.1 Exploded view and parts list of the mechanical measuring device



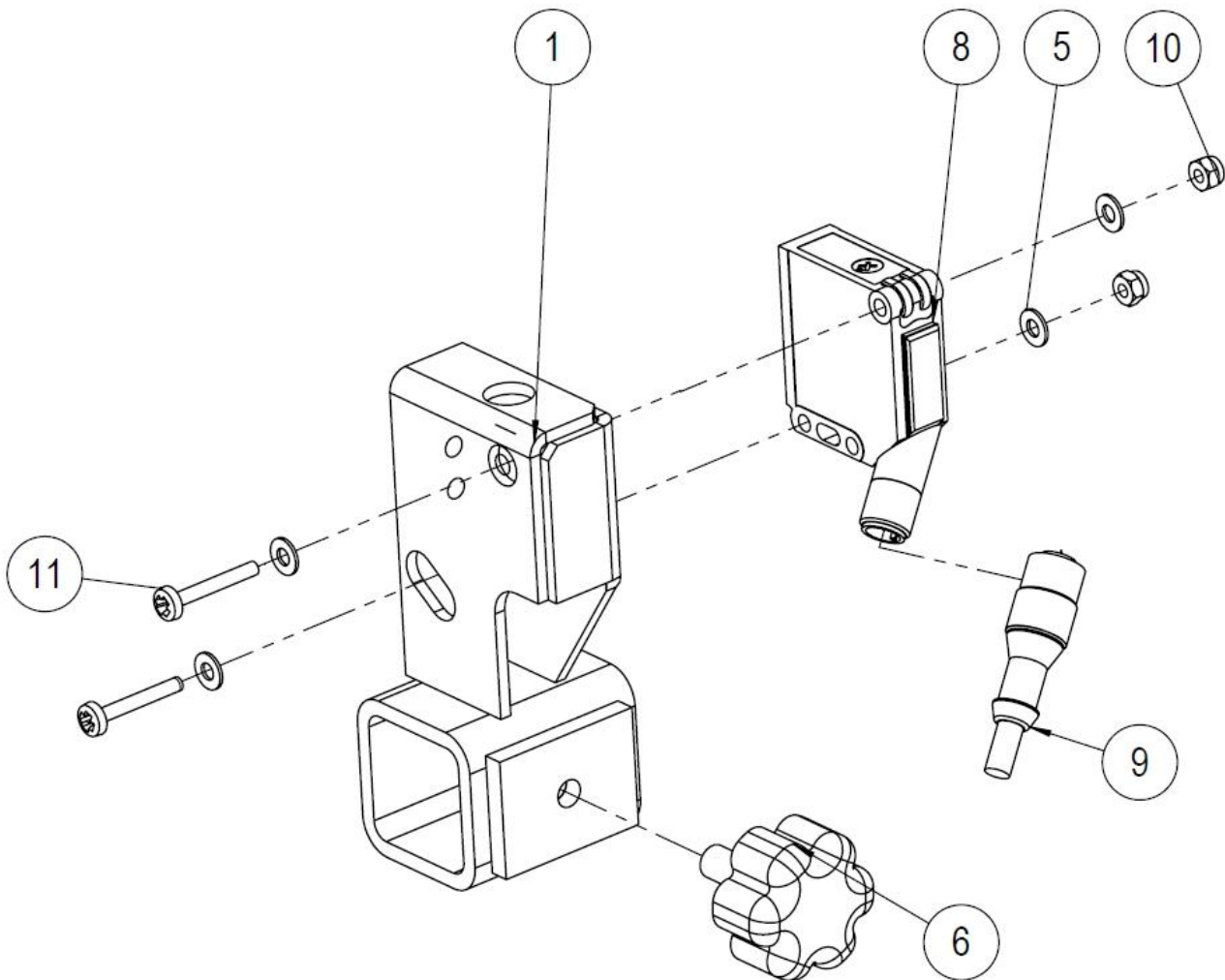
No.	Part number_Name	Pcs
1	10196_Log measuring device pipe	1
2	10063_Measuring device guard plate	1
3	96208_Needle pin	1
4	37562_Eccentric flange of the measuring device	1
5	37357_Stopper disc	1
6	95390_Draw spring 2x20x100	1
7	96276_Lubrication nipple M8X1	1
8	96046_Retaining ring DIN 471_50	1
10	10065_Locking pin	1
11	96246_Cotter pin DIN 94_3.2x32	1

7.2 Exploded view and parts list of the optical measuring device



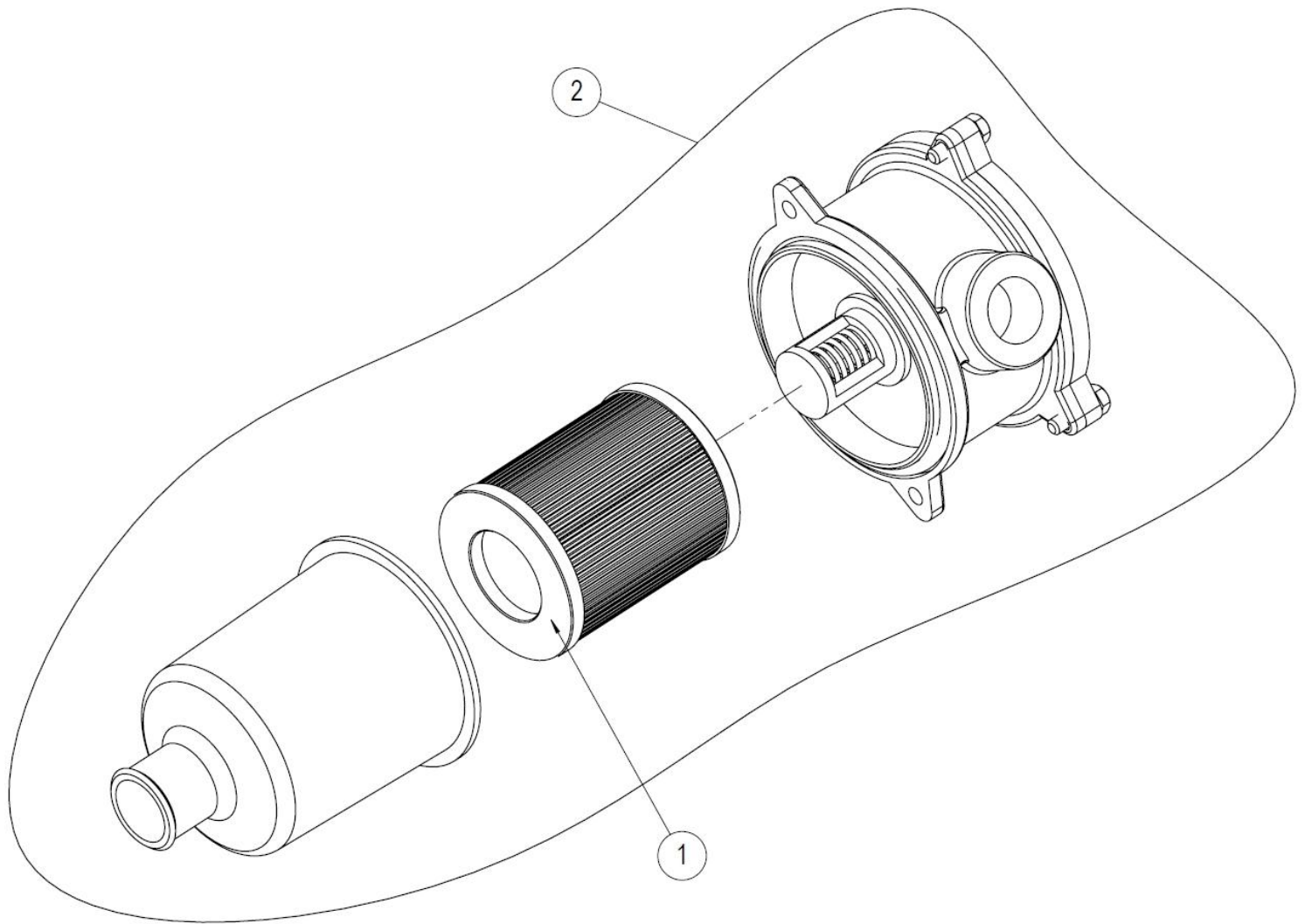
No.	Part number_Name	Pcs
1	60651_Tubular beam	1
2	47666_Optical measuring device with cover	1
3	96108_Hexagonal screw DIN 931 M12x50	2
4	96058_Washer DIN 125 A12	2
5	96200_Hexagonal nut DIN 934 M12	2

7.3 Exploded view and parts list of the optical eye and casing



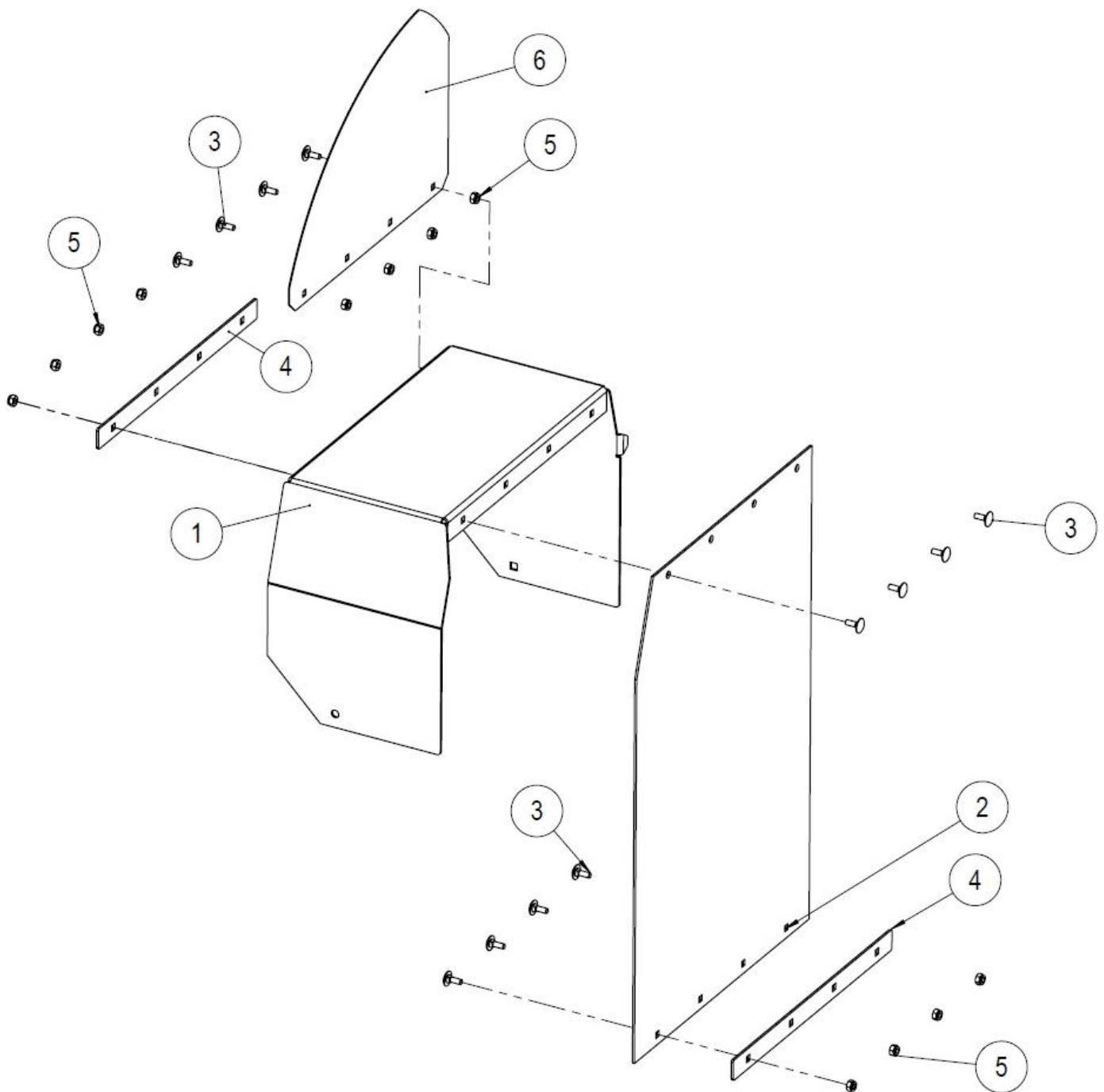
No.	Part number_Name	Pcs
1	47550_Log length measuring device	1
5	?_Washer DIN 125 A4	4
6	95033_Knurled head screw M8-20	1
8	95549_Optical source	1
9	95554_Optical sensor cable DOL-1204-G05M	1
10	?_Locking nut DIN EN ISO 10511 M4	2
11	96261_Groove screw DIN 7985 M4x25 -Z	2

8.1 Exploded view and parts list of the filter



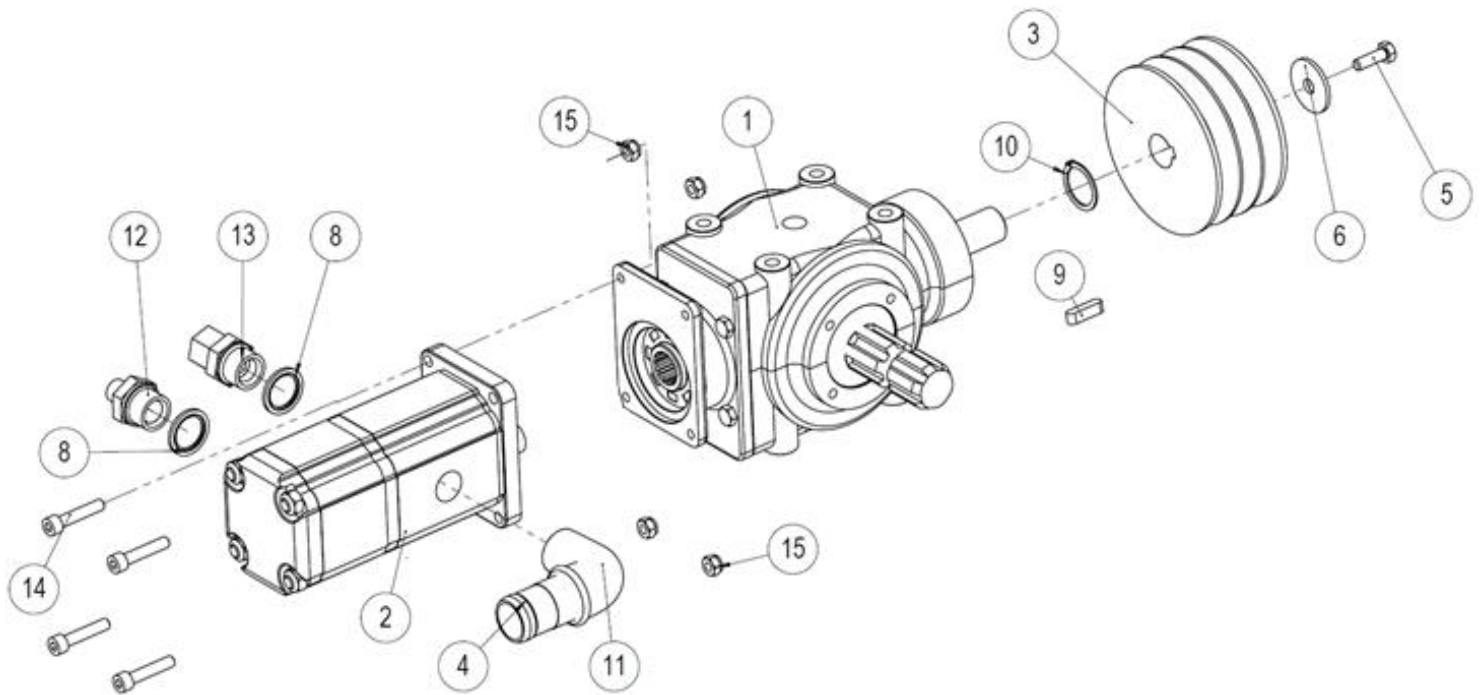
No.	Part number_Name	Pcs
1	97348_Filter insert	1
2	97349_Filter box, complete	1

9.1 Exploded view and parts list of the splitting blade guard



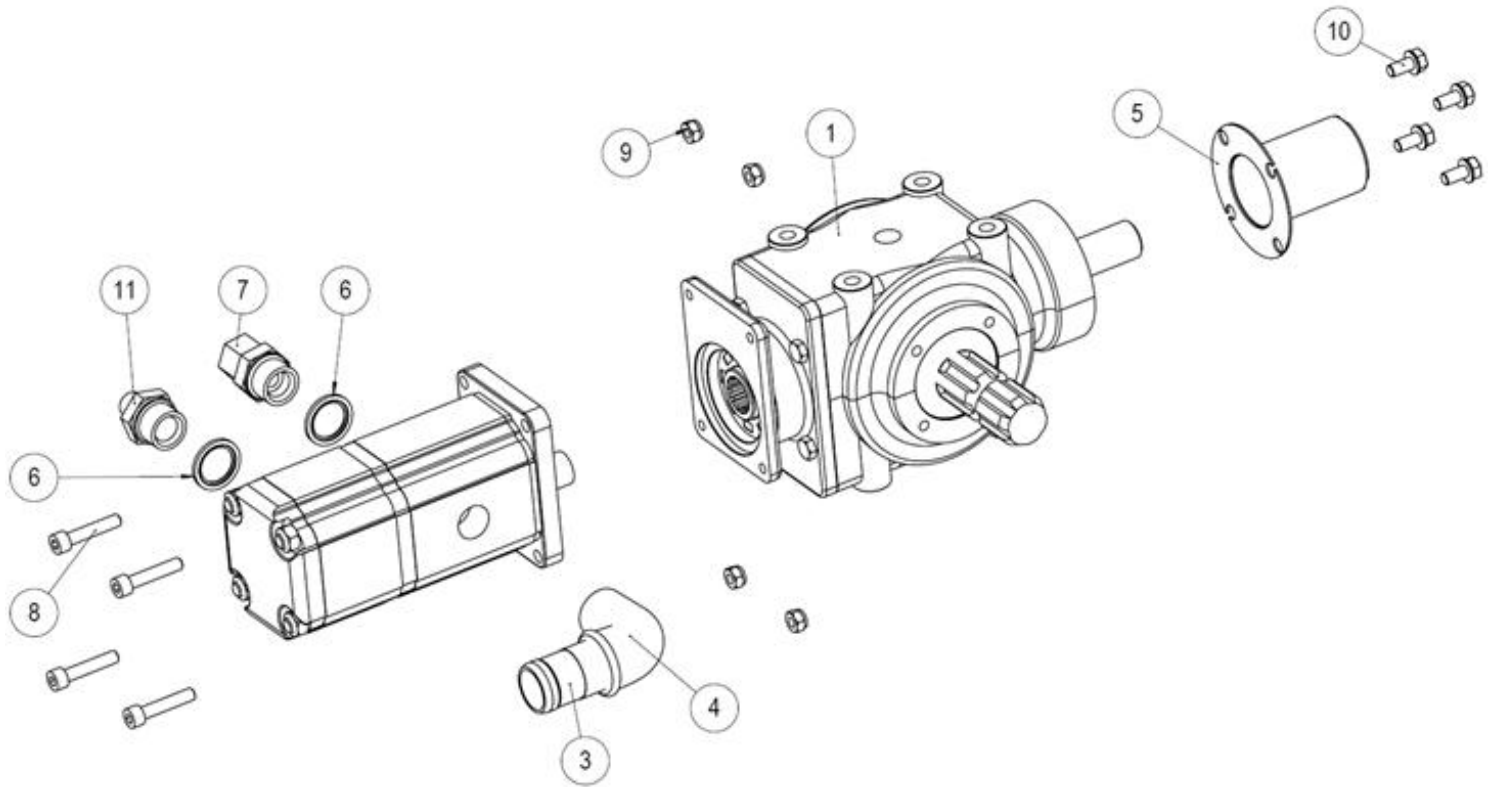
No.	Part number_Name	Pcs
1	37606_Splitting blade guard plate	1
2	37608_Protective belt	1
3	96187_Locking screw DIN 603 M8x20	12
4	37609_Attachment plate for the protective mat	2
5	96222_Locking nut DIN 985 M8	12
6	37614_Upper guard of the splitting mechanism	1
7	96061_Washer DIN 125 A8	4

10.1 Exploded view and parts list of the power transmission (the combi model, 37611)



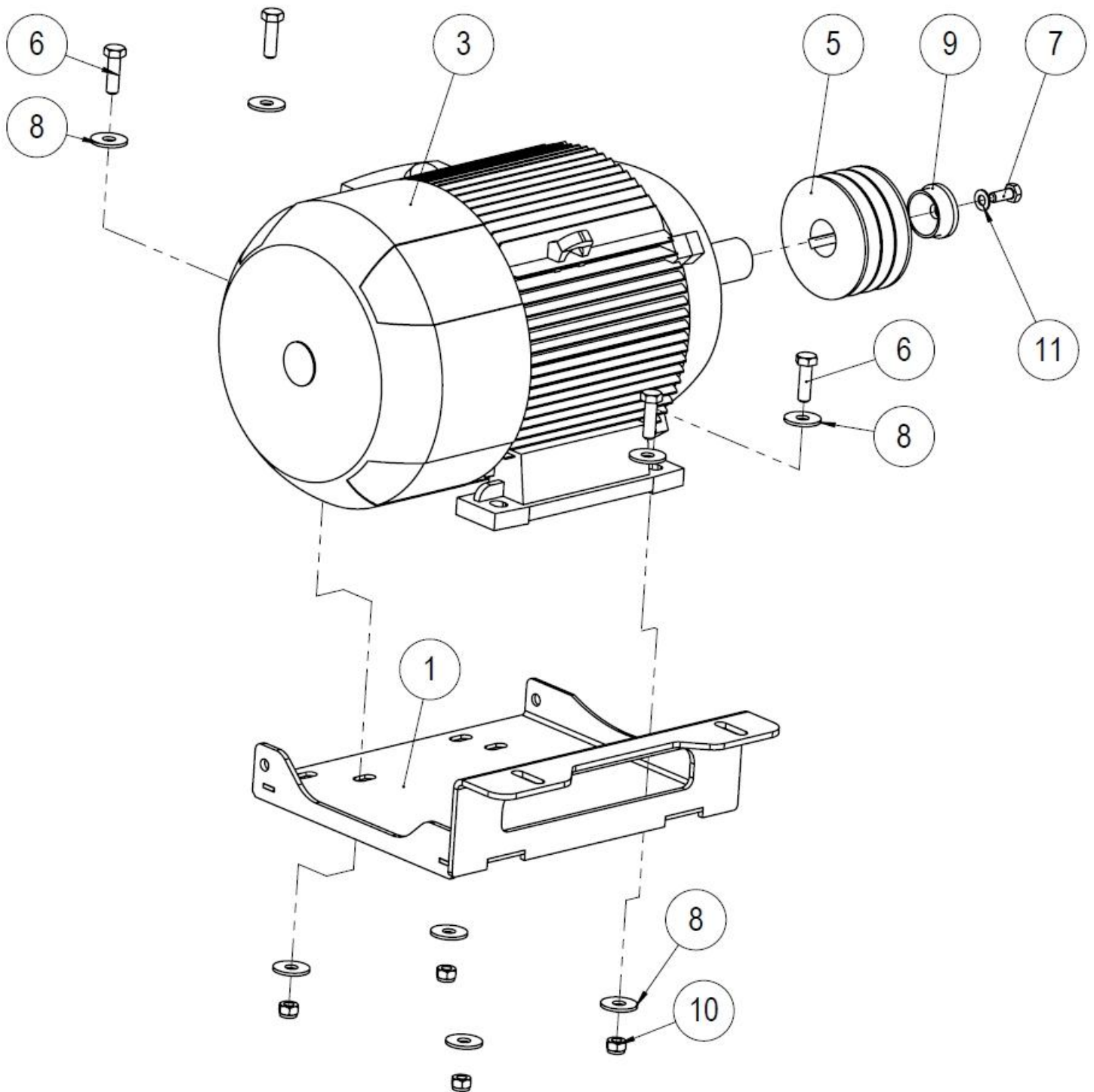
No.	Part number_Name	Pcs
1	95324_Angle transmission	1
2	97514_Pump	1
3	95528_Belt pulley B3, 125-25	1
4	47112_C_Nipple	1
5	96164_Hexagonal screw DIN 933 M8x25	1
6	10492_Washer	1
7	97212_3.8 USIT	1
8	97214_USIT 3.4	2
9	97371_Hydraulic motor wedge	1
10	96044_Retaining ring DIN 471 30	1
11	95315_3.4 curve	1
12	97206_Double nipple straight 3/4 x 3/8	1
13	97217 Connecting nipple	1
14	96037_Hex socket screw DIN 912 M8x40	4
15	96222_Locking nut DIN 985 M8	4

10.2 Exploded view and parts list of the power transmission (the tr model, 37611)



No.	Part number_Name	Pcs
1	95324_Angle transmission	1
2	97514_Pump	1
3	47112_C_Nipple	1
4	95315_3.4 curve	1
5	37622_Shaft guard	1
6	97214_USIT 3.4	2
7	97217_Connecting nipple	1
8	96037_Hex socket screw DIN 912 M8x40	4
9	96222_Locking nut DIN 985 M8	4
10	96172_Flange bolt M8x16	4
11	97206_Double nipple straight 3/4 x 3/8	1

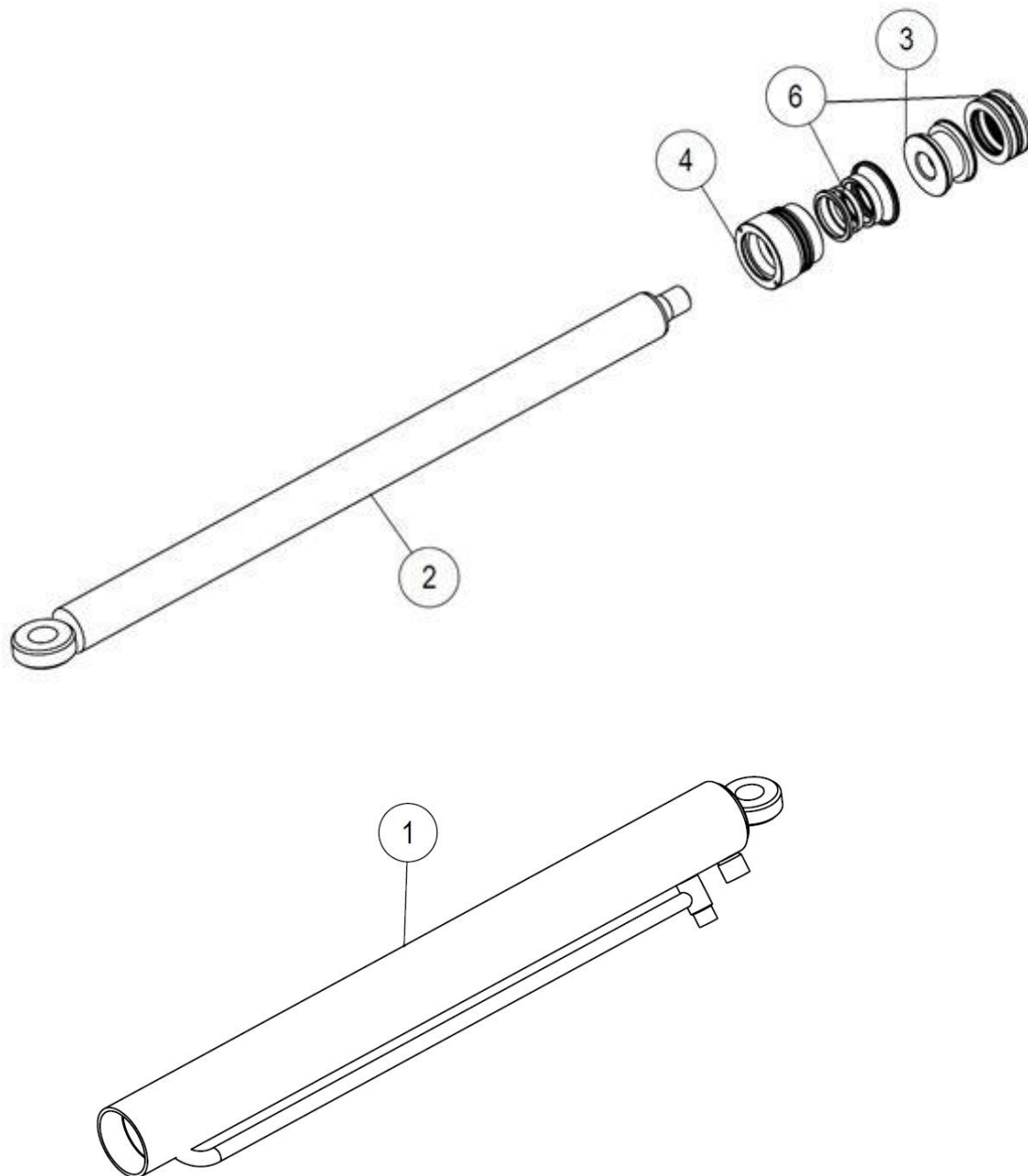
10.3 Exploded view and parts list of the electrical motor



No.	Part number_Name	Pcs
1	37291_Bed for the electric motor	1
3	95041_Electric motor 10 kW	1
4	37571_Attachment plate for the motor bed	1
5	95365_Belt pulley B3, 125	1
6	96148_Hexagonal screw DIN 933 M12x40	4

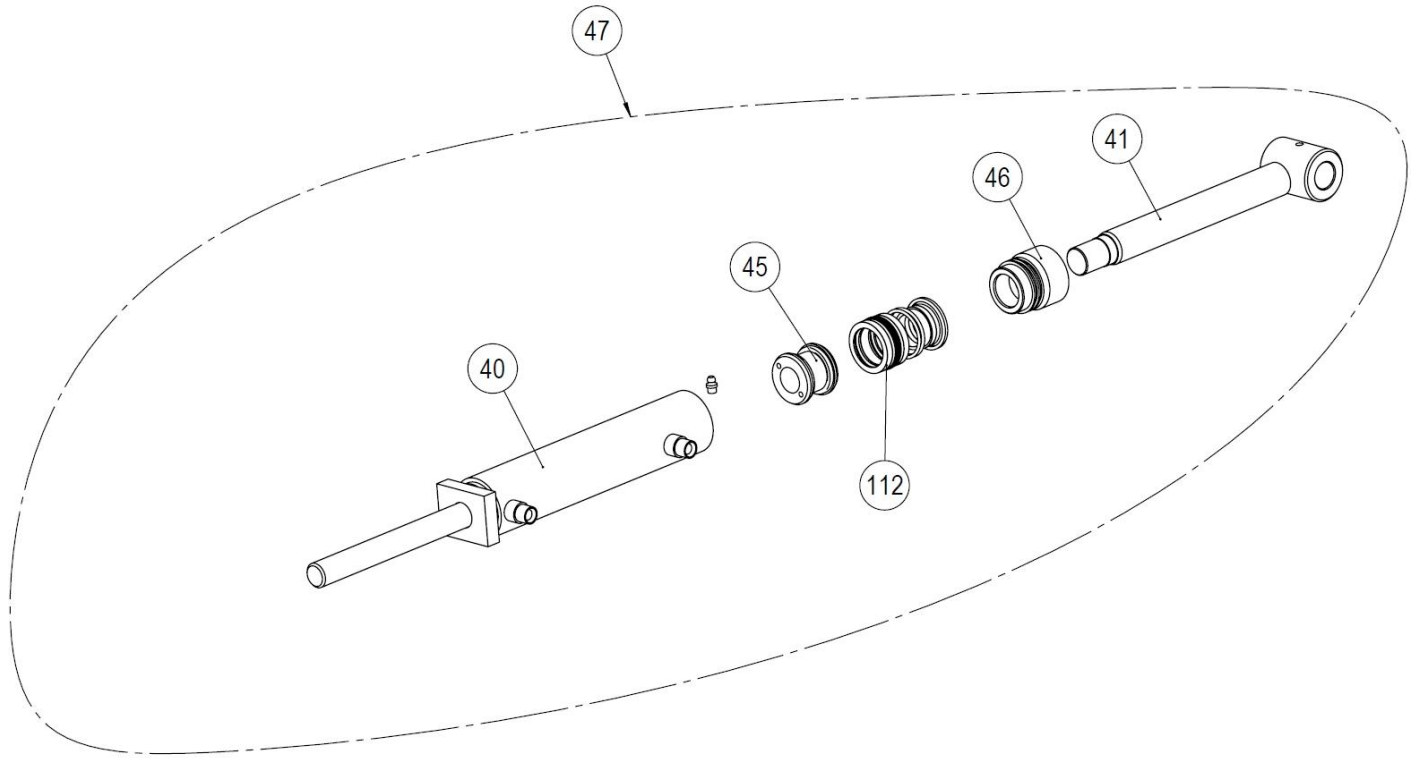
7	96139_Hexagonal screw DIN 933 M10x25	1
8	96340_Washer DIN 9021 M12	8
9	37616_Shaft end of the electric motor	1
10	96218_Locking nut DIN 985 M12	4
11	96049_Washer DIN 125 A10	1

11.1 Exploded view and parts list of the splitting cylinder (37510)



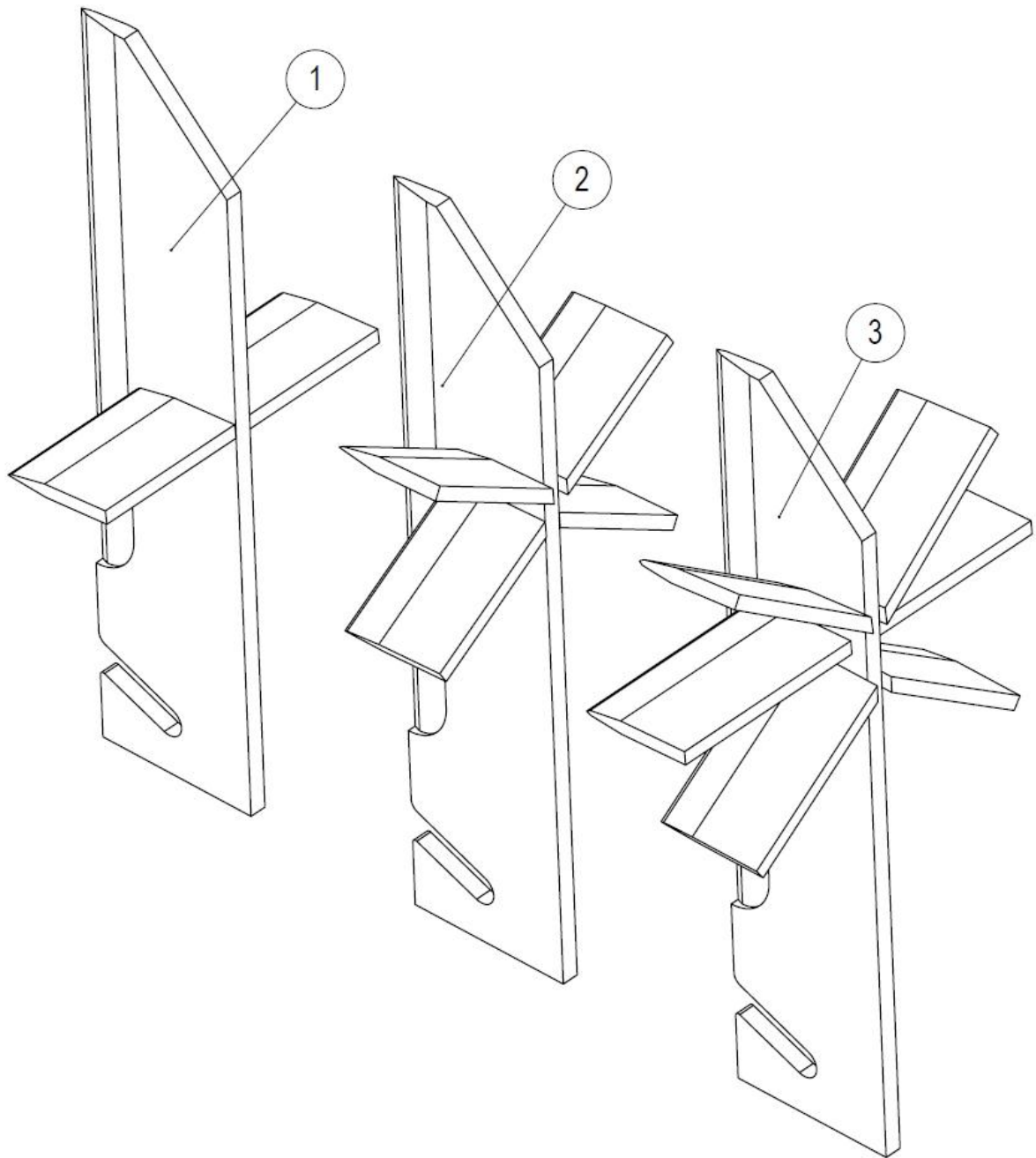
No.	Part number_Name	Pcs
1	37051_Cylinder pipe	1
2	37511_Cylinder arm	1
3	37058_Plunger	1
4	60597_Arm control Ø80, 70/50	1
6	97368_Seal kit 70/50	1

11.2 Exploded view and parts list of the splitting blade cylinder (60915)



No.	Part number_Name	Pcs
40	60916_Cylinder pipe	1
41	60920_Cylinder arm	1
46	10261_Arm control	1
112	97294_Seal kit 50/32	1
45	10260_Plunger	1
47	60915_Cylinder, complete	1

12.1 Figures and part numbers of the splitting blades



No.	Part number_Name	Pcs
1	37166_Splitting blade for splitting into 4 parts	1
2	37167_Splitting blade for splitting into 6 parts	1
3	37163_Splitting blade for splitting into 8 parts	1